

Service
Service
Service



Service Manual

HDMI



DOLBY DIGITAL PLUS

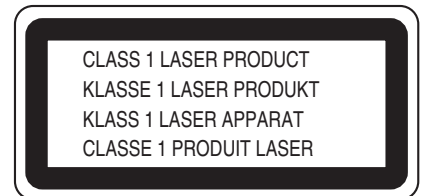
DOLBY TRUEHD

dts Digital Surround

Full HD 1080p

Survey of versions:

/12 PAL



©Copyright 2008 Philips Consumer Electronics B.V. Eindhoven, The Netherlands.
All rights reserved. No part of this publication may be reproduced, stored in a retrieval system or transmitted, in any form or by any means, electronic, mechanical, photocopying, or otherwise without the prior permission of Philips.



IMPORTANT SAFETY NOTICE

Proper service and repair is important to the safe, reliable operation of all Philips Equipment. The service procedures recommended by Philips and described in this service manual are effective methods of performing service operations. Some of these service special tools should be used when and as recommended.

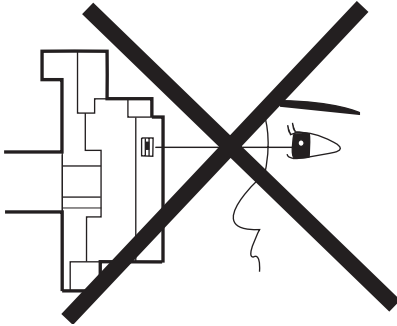
It is important to note that this service manual contains various CAUTIONS and NOTICES which should be carefully read in order to minimize the risk of personal injury to service personnel. The possibility exists that improper service methods may damage the equipment. It also is important to understand that these CAUTIONS and NOTICES ARE NOT EXHAUSTIVE. Philips could not possibly know, evaluate and advice the service trade of all conceivable ways in which service might be done or of the possible hazardous consequences of each way. Consequently, Philips has not undertaken any such broad evaluation. Accordingly, a servicer who uses a service procedure or tool which is not recommended by Philips must first use all precautions thoroughly so that neither his safety nor the safe operation of the equipment will be jeopardized by the service method selected.

TABLE OF CONTENTS

LASER BEAM SAFETY PRECAUTIONS	1-1-1
IMPORTANT SAFETY PRECAUTIONS.....	1-2-1
STANDARD NOTES FOR SERVICING	1-3-1
OPERATING CONTROLS AND FUNCTIONS.....	1-4-1
SIGNAL NAME ABBREVIATIONS	1-5-1
CABINET DISASSEMBLY INSTRUCTIONS	1-6-1
HOW TO INITIALIZE THE BLU-RAY DISC PLAYER	1-7-1
FIRMWARE RENEWAL MODE	1-8-1
TROUBLESHOOTING.....	1-9-1
BLOCK DIAGRAMS.....	1-10-1
SCHEMATIC DIAGRAMS / CBA'S.....	1-11-1
WAVEFORMS	1-12-1
WIRING DIAGRAM	1-13-1
SYSTEM CONTROL TIMING CHARTS.....	1-14-1
IC PIN FUNCTION DESCRIPTIONS.....	1-15-1
LEAD IDENTIFICATIONS	1-16-1
ELECTRICAL PARTS LIST	1-17-1
EXPLODED VIEWS.....	1-18-1
MECHANICAL PARTS LIST	1-19-1

LASER BEAM SAFETY PRECAUTIONS

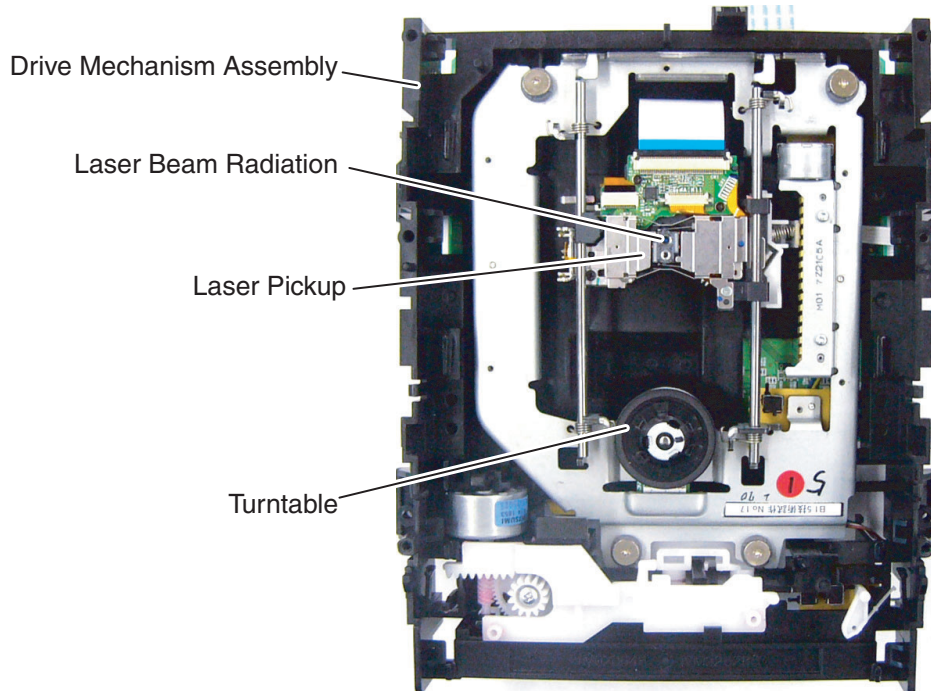
This BD player uses a pickup that emits a laser beam.



Do not look directly at the laser beam coming from the pickup or allow it to strike against your skin.

The laser beam is emitted from the location shown in the figure. When checking the laser diode, be sure to keep your eyes at least 30 cm away from the pickup lens when the diode is turned on. Do not look directly at the laser beam.

CAUTION: Use of controls and adjustments, or doing procedures other than those specified herein, may result in hazardous radiation exposure.



CAUTION-CLASS 2M LASER
RADIATION WHEN OPEN
DO NOT STARE INTO THE BEAM
OR VIEW DIRECTLY WITH
OPTICAL INSTRUMENTS



Location: Inside Top of BD mechanism.

IMPORTANT SAFETY PRECAUTIONS

Product Safety Notice

Some electrical and mechanical parts have special safety-related characteristics which are often not evident from visual inspection, nor can the protection they give necessarily be obtained by replacing them with components rated for higher voltage, wattage, etc. Parts that have special safety characteristics are identified by a ⚠ on schematics and in parts lists. Use of a substitute replacement that does not have the same safety characteristics as the recommended replacement part might create shock, fire, and/or other hazards. The Product's Safety is under review continuously and new instructions are issued whenever appropriate. Prior to shipment from the factory, our products are carefully inspected to confirm with the recognized product safety and electrical codes of the countries in which they are to be sold. However, in order to maintain such compliance, it is equally important to implement the following precautions when a set is being serviced.

Precautions during Servicing

- A.** Parts identified by the ⚠ symbol are critical for safety. Replace only with part number specified.
- B.** In addition to safety, other parts and assemblies are specified for conformance with regulations applying to spurious radiation. These must also be replaced only with specified replacements.
Examples: RF converters, RF cables, noise blocking capacitors, and noise blocking filters, etc.
- C.** Use specified internal wiring. Note especially:
 - 1) Wires covered with PVC tubing
 - 2) Double insulated wires
 - 3) High voltage leads
- D.** Use specified insulating materials for hazardous live parts. Note especially:
 - 1) Insulation tape
 - 2) PVC tubing
 - 3) Spacers
 - 4) Insulators for transistors
- E.** When replacing AC primary side components (transformers, power cord, etc.), wrap ends of wires securely about the terminals before soldering.
- F.** Observe that the wires do not contact heat producing parts (heatsinks, oxide metal film resistors, fusible resistors, etc.).
- G.** Check that replaced wires do not contact sharp edges or pointed parts.
- H.** When a power cord has been replaced, check that 5 - 6 kg of force in any direction will not loosen it.
- I.** Also check areas surrounding repaired locations.
- J.** Use care that foreign objects (screws, solder droplets, etc.) do not remain inside the set.
- K.** When connecting or disconnecting the internal connectors, first, disconnect the AC plug from the AC outlet.

Safety Check after Servicing

Examine the area surrounding the repaired location for damage or deterioration. Observe that screws, parts, and wires have been returned to their original positions. Afterwards, do the following tests and confirm the specified values to verify compliance with safety standards.

1. Clearance Distance

When replacing primary circuit components, confirm specified clearance distance (d) and (d') between soldered terminals, and between terminals and surrounding metallic parts. (See Fig. 1)

Table 1 : Ratings for selected area

AC Line Voltage	Clearance Distance (d), (d')
230 V	$\geq 3 \text{ mm}(d)$ $\geq 6 \text{ mm}(d')$

Note: This table is unofficial and for reference only. Be sure to confirm the precise values.

2. Leakage Current Test

Confirm the specified (or lower) leakage current between B (earth ground, power cord plug prongs) and externally exposed accessible parts (RF terminals, antenna terminals, video and audio input and output terminals, microphone jacks, earphone jacks, etc.) is lower than or equal to the specified value in the table below.

Measuring Method (Power ON) :

Insert load Z between B (earth ground, power cord plug prongs) and exposed accessible parts. Use an AC voltmeter to measure across the terminals of load Z. See Fig. 2 and the following table.

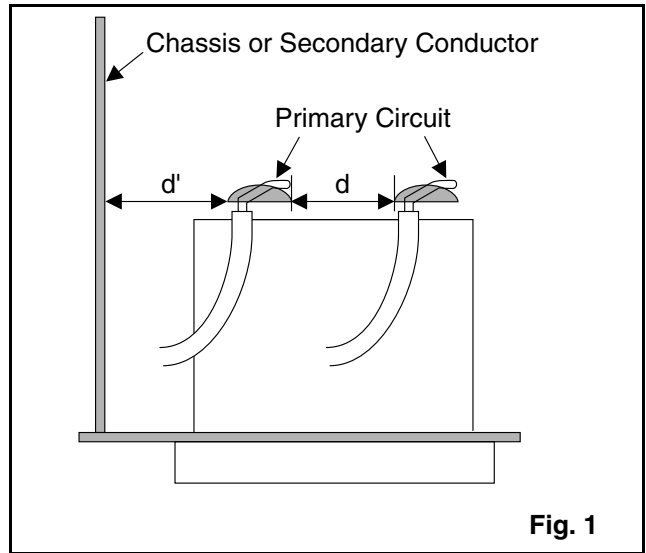


Fig. 1

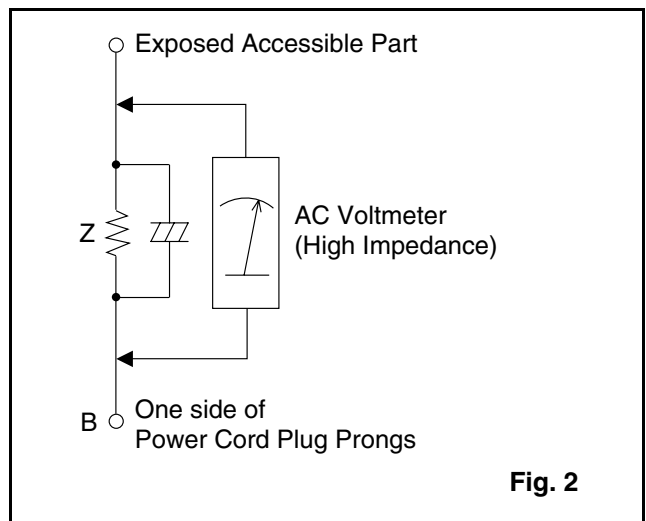


Fig. 2

Table 2: Leakage current ratings for selected areas

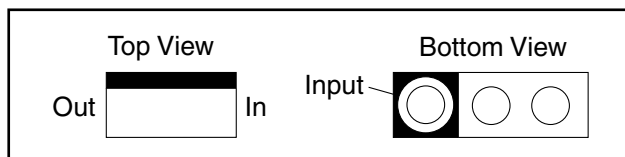
AC Line Voltage	Load Z	Leakage Current (i)	One side of power cord plug prongs (B) to:
230 V	2kΩ RES. Connected in parallel	$i \leq 0.7 \text{ mA AC Peak}$ $i \leq 2 \text{ mA DC}$	RF or Antenna terminals
	50kΩ RES. Connected in parallel	$i \leq 0.7 \text{ mA AC Peak}$ $i \leq 2 \text{ mA DC}$	A/V Input, Output

Note: This table is unofficial and for reference only. Be sure to confirm the precise values.

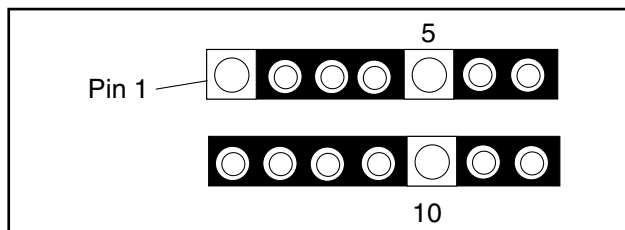
STANDARD NOTES FOR SERVICING

Circuit Board Indications

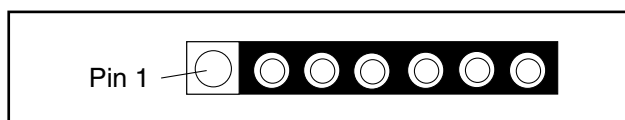
1. The output pin of the 3 pin Regulator ICs is indicated as shown.



2. For other ICs, pin 1 and every fifth pin are indicated as shown.



3. The 1st pin of every male connector is indicated as shown.



Instructions for Connectors

1. When you connect or disconnect the FFC (Flexible Foil Connector) cable, be sure to first disconnect the AC cord.
2. FFC (Flexible Foil Connector) cable should be inserted parallel into the connector, not at an angle.

Pb (Lead) Free Solder

When soldering, be sure to use the Pb free solder.

Information about lead-free soldering

Philips CE is producing lead-free sets from 1.1.2005 onwards.

IDENTIFICATION

Regardless of special logo (not always indicated)



One must treat all sets from 1 Jan 2005 onwards, according to the next rule:

Serial Number gives a 14-digit. Digit 5&6 shows the YEAR, and digit 7&8 shows the WEEK.

So from 0501 onwards=from 1 Jan 2005 onwards

Important note: In fact also products of year 2004 must be treated in this way as long as you avoid mixing solder-alloys (leaded/ lead-free). So best to always use SAC305 and the higher temperatures belong to this.

Due to lead-free technology some rules have to be respected by the workshop during a repair:

- Use only lead-free solder alloy Philips SAC305 with order code 0622 149 00106. If lead-free solder-paste is required, please contact the manufacturer of your solder-equipment. In general use of solder-paste within workshops should be avoided because paste is not easy to store and to handle.
- Use only adequate solder tools applicable for lead-free solder alloy. The solder tool must be able
 - To reach at least a solder-temperature of 400°C,
 - To stabilize the adjusted temperature at the solder-tip
 - To exchange solder-tips for different applications.
- Adjust your solder tool so that a temperature around 360°C - 380°C is reached and stabilized at the solder joint. Heating-time of the solder-joint should not exceed ~ 4 sec. Avoid temperatures above 400°C otherwise wear-out of tips will rise drastically and flux-fluid will be destroyed. To avoid wear-out of tips switch off un-used equipment, or reduce heat.
- Mix of lead-free solder alloy / parts with leaded solder alloy / parts is possible but PHILIPS recommends strongly to avoid mixed solder alloy types (leaded and lead-free).
If one cannot avoid or does not know whether product is lead-free, clean carefully the solder-joint from old solder alloy and re-solder with new solder alloy (SAC305).
- Use only original spare-parts listed in the Service-Manuals. Not listed standard-material (commodities) has to be purchased at external companies.

- **Special information for BGA-ICs:**
 - always use the 12nc-recognizable soldering temperature profile of the specific BGA (for de-soldering always use the lead-free temperature profile, in case of doubt)
 - lead free BGA-ICs will be delivered in so-called 'dry-packaging' (sealed pack including a silica gel pack) to protect the IC against moisture. After opening, dependent of MSL-level seen on indicator-label in the bag, the BGA-IC possibly still has to be baked dry. (MSL=Moisture Sensitivity Level). This will be communicated via AYS-website. Do not re-use BGAs at all.
- For sets produced before 1.1.2005 (except products of 2004), containing leaded solder-alloy and components, all needed spare-parts will be available till the end of the service-period. For repair of such sets nothing changes.
- On our website www.atyourservice.ce.Philips.com you find more information to:
 - BGA-de-/soldering (+ baking instructions)
 - Heating-profiles of BGAs and other ICs used in Philips-sets

You will find this and more technical information within the "magazine", chapter "workshop news".

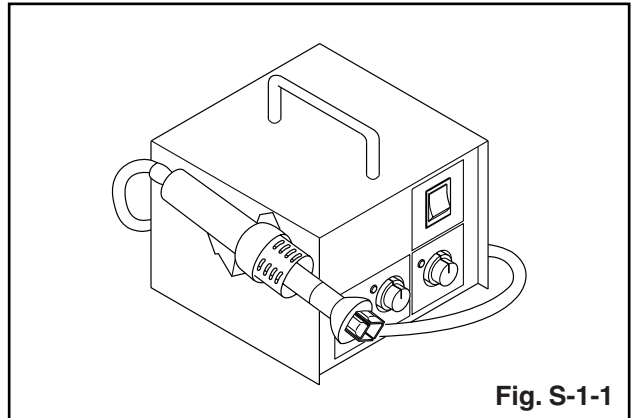
For additional questions please contact your local repair-helpdesk.

How to Remove / Install Flat Pack-IC

1. Removal

With Hot-Air Flat Pack-IC Desoldering Machine:

1. Prepare the hot-air flat pack-IC desoldering machine, then apply hot air to the Flat Pack-IC (about 5 to 6 seconds). (Fig. S-1-1)

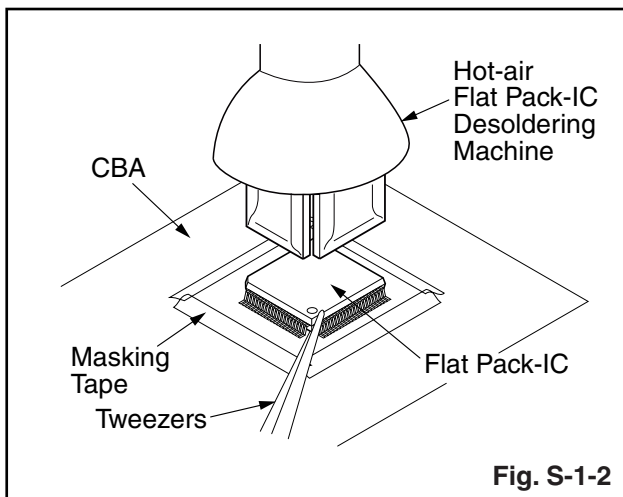


2. Remove the flat pack-IC with tweezers while applying the hot air.
3. Bottom of the flat pack-IC is fixed with glue to the CBA; when removing entire flat pack-IC, first apply soldering iron to center of the flat pack-IC and heat up. Then remove (glue will be melted). (Fig. S-1-6)
4. Release the flat pack-IC from the CBA using tweezers. (Fig. S-1-6)

CAUTION:

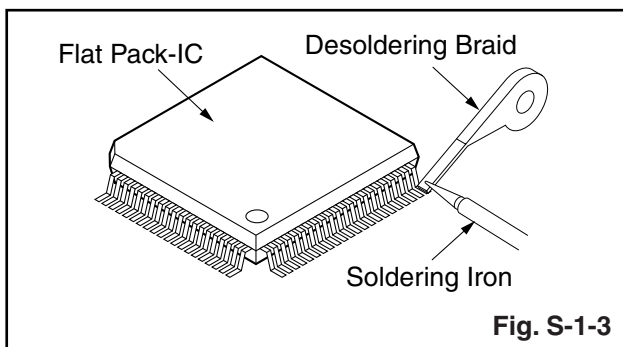
1. The Flat Pack-IC shape may differ by models. Use an appropriate hot-air flat pack-IC desoldering machine, whose shape matches that of the Flat Pack-IC.
2. Do not supply hot air to the chip parts around the flat pack-IC for over 6 seconds because damage to the chip parts may occur. Put masking tape around the flat pack-IC to protect other parts from damage. (Fig. S-1-2)

3. The flat pack-IC on the CBA is affixed with glue, so be careful not to break or damage the foil of each pin or the solder lands under the IC when removing it.

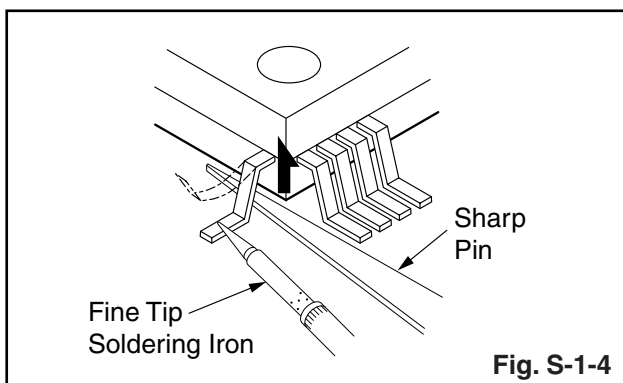


With Soldering Iron:

1. Using desoldering braid, remove the solder from all pins of the flat pack-IC. When you use solder flux which is applied to all pins of the flat pack-IC, you can remove it easily. (Fig. S-1-3)



2. Lift each lead of the flat pack-IC upward one by one, using a sharp pin or wire to which solder will not adhere (iron wire). When heating the pins, use a fine tip soldering iron or a hot air desoldering machine. (Fig. S-1-4)

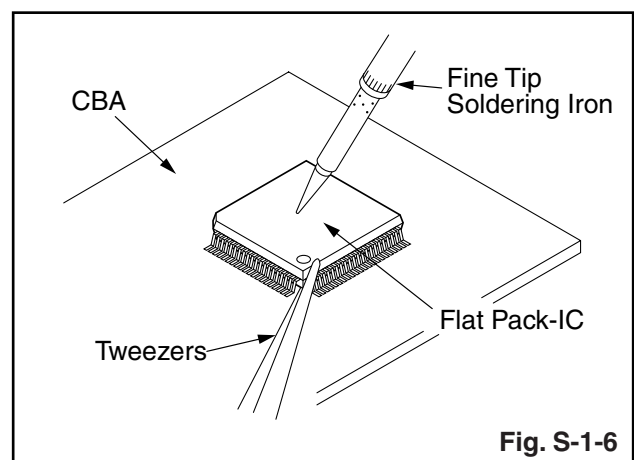
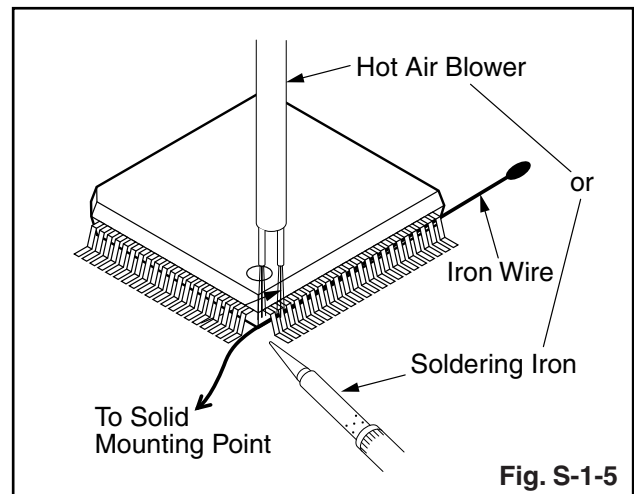


3. Bottom of the flat pack-IC is fixed with glue to the CBA; when removing entire flat pack-IC, first apply soldering iron to center of the flat pack-IC and heat up. Then remove (glue will be melted). (Fig. S-1-6)
4. Release the flat pack-IC from the CBA using tweezers. (Fig. S-1-6)

With Iron Wire:

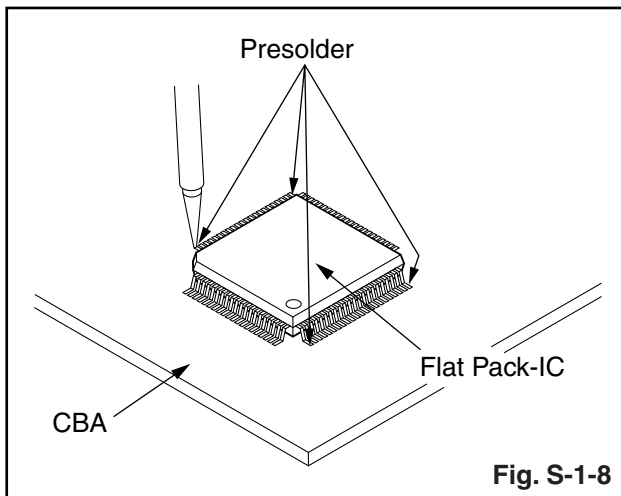
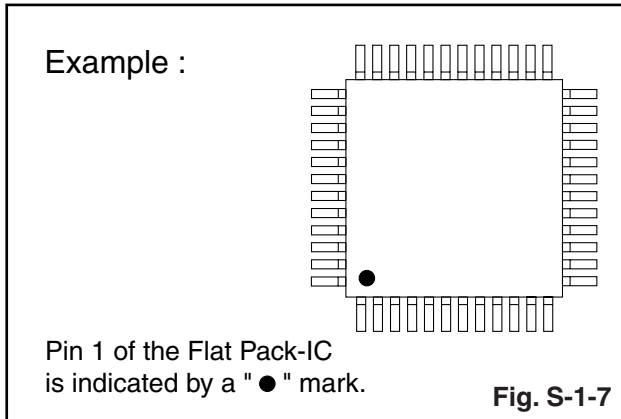
1. Using desoldering braid, remove the solder from all pins of the flat pack-IC. When you use solder flux which is applied to all pins of the flat pack-IC, you can remove it easily. (Fig. S-1-3)
2. Affix the wire to a workbench or solid mounting point, as shown in Fig. S-1-5.
3. While heating the pins using a fine tip soldering iron or hot air blower, pull up the wire as the solder melts so as to lift the IC leads from the CBA contact pads as shown in Fig. S-1-5.
4. Bottom of the flat pack-IC is fixed with glue to the CBA; when removing entire flat pack-IC, first apply soldering iron to center of the flat pack-IC and heat up. Then remove (glue will be melted). (Fig. S-1-6)
5. Release the flat pack-IC from the CBA using tweezers. (Fig. S-1-6)

Note: When using a soldering iron, care must be taken to ensure that the flat pack-IC is not being held by glue. When the flat pack-IC is removed from the CBA, handle it gently because it may be damaged if force is applied.



2. Installation

1. Using desoldering braid, remove the solder from the foil of each pin of the flat pack-IC on the CBA so you can install a replacement flat pack-IC more easily.
2. The "●" mark on the flat pack-IC indicates pin 1. (See Fig. S-1-7.) Be sure this mark matches the 1 on the PCB when positioning for installation. Then presolder the four corners of the flat pack-IC. (See Fig. S-1-8.)
3. Solder all pins of the flat pack-IC. Be sure that none of the pins have solder bridges.



Instructions for Handling Semi-conductors

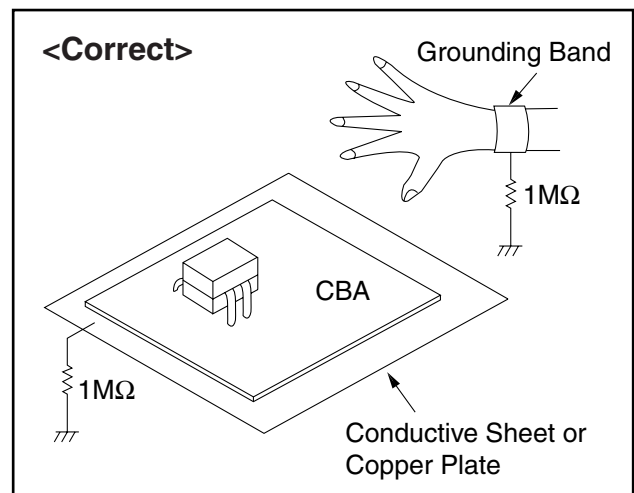
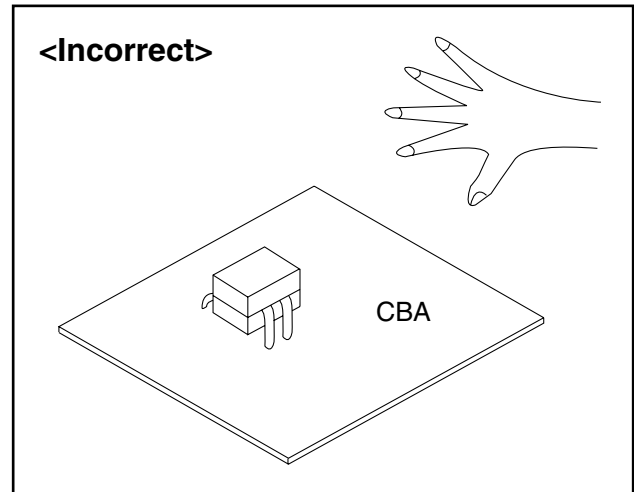
Electrostatic breakdown of the semi-conductors may occur due to a potential difference caused by electrostatic charge during unpacking or repair work.

1. Ground for Human Body

Be sure to wear a grounding band (1 M Ω) that is properly grounded to remove any static electricity that may be charged on the body.

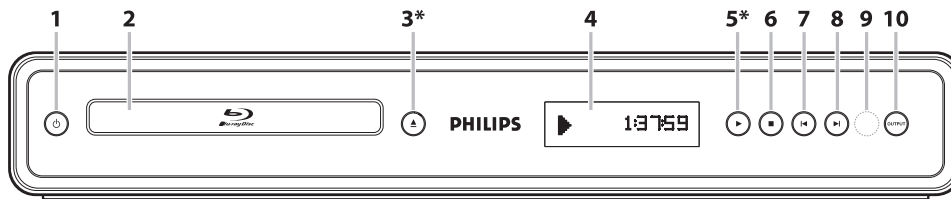
2. Ground for Workbench

Be sure to place a conductive sheet or copper plate with proper grounding (1 M Ω) on the workbench or other surface, where the semi-conductors are to be placed. Because the static electricity charge on clothing will not escape through the body grounding band, be careful to avoid contacting semi-conductors with your clothing.



OPERATING CONTROLS AND FUNCTIONS

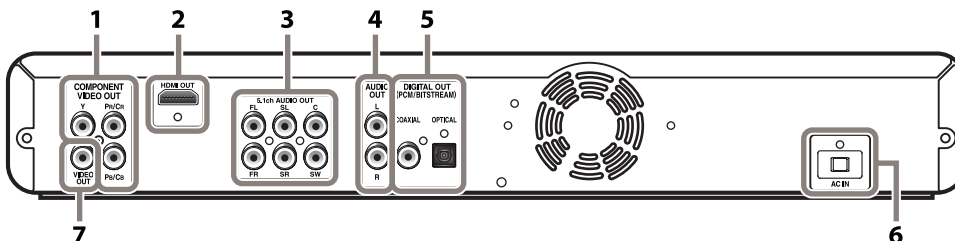
Front Panel



(*) The unit can also be turned on by pressing these buttons.

- 1. (STANDBY-ON) button**
 - Press to turn the unit on and off.
- 2. Disc tray**
 - Place a disc when opening the disc tray.
- 3. (OPEN/CLOSE) button***
 - Press to open or close the disc tray.
- 4. Display**
- 5. (PLAY) button***
 - Press to start or resume playback.
- 6. (STOP) button**
 - Press to stop playback.
- 7. (PREVIOUS) button**
 - Videos, music, pictures - Previous
- 8. (NEXT) button**
 - Videos, music, pictures - Next
- 9. Infrared sensor window**
 - Receive signals from your remote control so that you can control the unit from a distance.
- 10. OUTPUT button**
 - Press to change the resolution of HDMI output. (Not available during the playback of a BD-video or while displaying the settings menu)

Rear Panel

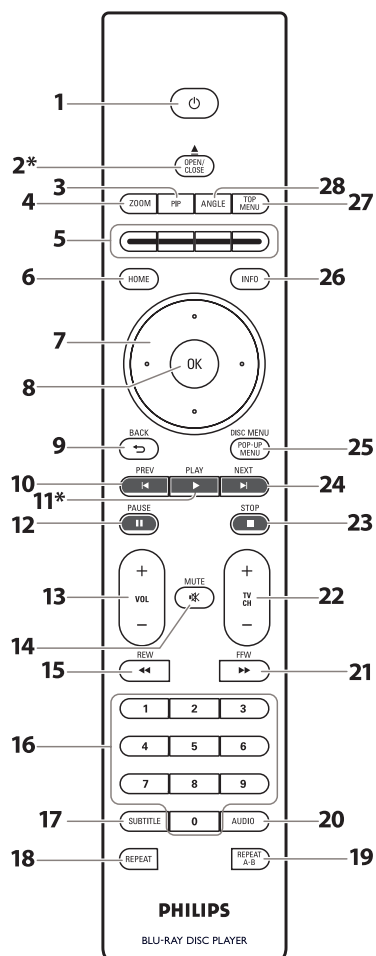


- 1. COMPONENT VIDEO OUT jacks**
 - Use to connect a TV monitor with component video inputs with a component video cable.
- 2. HDMI OUT jack**
 - Use to connect to a display with an HDMI compatible port with an HDMI cable.
- 3. 5.1ch AUDIO OUT jacks**
 - Use to connect to an AV receiver / amplifier with 5.1ch audio cable.
- 4. AUDIO OUT jacks**
 - Use to connect a TV monitor, an AV receiver / amplifier or other device with an RCA audio cable.
- 5. DIGITAL OUT (COAXIAL/OPTICAL) jacks**
 - Use to connect an AV receiver / amplifier, Dolby Digital/DTS decoder or other device with a digital audio coaxial/optical input jack with a digital audio coaxial/optical cable.
- 6. AC IN Terminal**
 - Use to connect to the AC outlet with AC cord.
- 7. VIDEO OUT jack**
 - Use to connect a TV monitor, an AV receiver / amplifier or other device with an RCA video cable.

Note

- Do not touch the inner pins of the jacks on the rear panel. Electrostatic discharge may cause permanent damage to the unit.
- This unit does not have the RF modulator.

Remote Control



(*) The unit can also be turned on by pressing these buttons.

- 1. (STANDBY-ON) button**
 - Press to turn the unit on and off.
- 2. OPEN/CLOSE button***
 - Press to open or close the disc tray.
- 3. PIP button**
 - Press to switch picture in picture feature on/off (only applicable to BD-video which supports the PIP function).
- 4. ZOOM button**
 - Press to enlarge the picture on the screen.
- 5. Red/Green/Yellow/Blue button**
 - Press to activate short cut keys on some BD-video function.
- 6. HOME button**
 - Press to display the home menu.
- 7. Cursor / / / buttons**
 - Press to select items or settings.
- 8. OK button**
 - Press to confirm or select menu items.
- 9. BACK button**
 - Press to return to the previously displayed menu or screen function.

- 10. PREV button**
 - During playback, press once to return to the beginning of the current title, chapter or track.
 - During the JPEG playback, press to return to the previous file.
 - During playback, press twice to return to the previous title, chapter or track.
- 11. PLAY button***
 - Press to start playback or resume playback.
- 12. PAUSE button**
 - Press to pause playback.
 - When playback is in pause mode, press repeatedly to forward the playback step by step.
- 13. VOL + / - button**
 - Press to adjust the TV volume (only applicable to the PHILIPS brand TV).
- 14. MUTE button**
 - Press to mute the TV volume (only applicable to the PHILIPS brand TV).
- 15. REW button**
 - During playback, press to fast reverse the playback.
- 16. Number buttons**
 - Press to select a chapter during playback.
 - Press to enter values in the input field.
- 17. SUBTITLE button**
 - Press to select subtitles on a disc.
- 18. REPEAT button**
 - Press to toggle between various repeat modes.
- 19. REPEAT A-B button**
 - Press to play back a defined section between point A and B repeatedly.
- 20. AUDIO button**
 - Press to select the audio channel (such as audio languages) on a disc.
- 21. FFW button**
 - During playback, press to fast forward the playback.
 - When playback is in pause, press to slow forward the playback.
- 22. TV CH + / - buttons**
 - Press to change the channel up and down (only applicable to the PHILIPS brand TV).
- 23. STOP button**
 - Press to stop playback.
- 24. NEXT button**
 - During playback, press to skip to the next chapter, track or file.
- 25. DISC MENU / POP-UP MENU button**
 - BD:**
 - Press to display the pop-up menu.
 - DVD:**
 - Press to display the disc menu.
- 26. INFO button**
 - Press to display the information display.
- 27. TOP MENU button**
 - BD:**
 - Press to display the top menu.
 - DVD:**
 - Press to display the title menu.
- 28. ANGLE button**
 - Press to select camera angles on a disc.
 - Press to rotate a picture (JPEG).

SIGNAL NAME ABBREVIATIONS

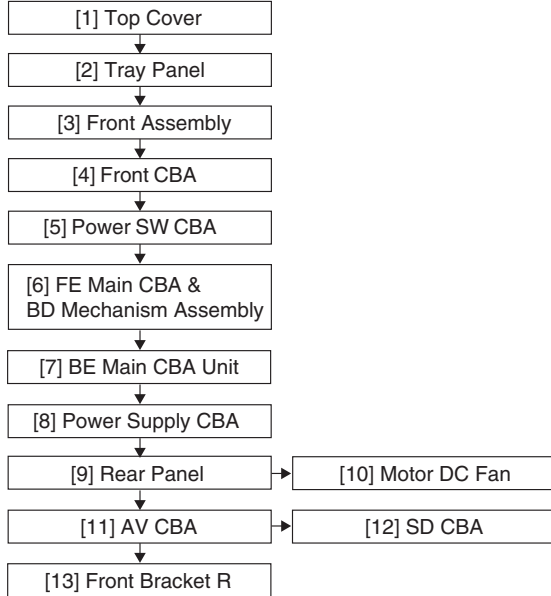
Signal Name	Function
A33-PW-CONT	Power Regulator Control Signal
AL+12V	Always +12V with AC Plug Connected
AL+2.5V	Always +2.5V with AC Plug Connected
AL+5V	Always +5V with AC Plug Connected
AUDIO(L)	Audio Left Signal
AUDIO(L)-MUTE	Audio Mute Control Left Signal (Mute = "H")
AUDIO(R)	Audio Right Signal
AUDIO(R)-MUTE	Audio Mute Control Right Signal (Mute = "H")
AUDIO+3.3V	+3.3V Power Supply (Audio)
AUDIO+5V	+5V Power Supply (Audio)
AUDIO+12V	+12V Power Supply (Audio)
AUDIO-MUTE	Audio Mute Control Signal
CEC-IN	CEC Signal Input
CEC-OUT	CEC Signal Output
CENTER	Center Audio Signal (5.1ch)
CENTER-MUTE	Center Audio Mute Signal (Mute="L")
EV+3.3V	+3.3V Power Supply
F1	Filament Power Supply 1
F2	Filament Power Supply 2
FAN-CONT	Fan Motor Control Signal
FAN-DETECT	Fan Signal Detect
FAN-VCC	Power Supply for Fan Motor
FL	FIP Drive Power Supply
FL-CS	FL Chip Select Signal
FL-RESET	FL3000 Reset
FL-SCL	FL Serial Clock
FL-SDA	FL Serial Data
FL-SW	FL On/Off Control Signal
FRONT-AUDIO(L)	Front Audio Left Signal (5.1ch)
FRONT-AUDIO(L)-MUTE	Front Audio Mute Left Signal (Mute="L")
FRONT-AUDIO(R)	Front Audio Right Signal (5.1ch)
FRONT-AUDIO(R)-MUTE	Front Audio Mute Right Signal (Mute="L")
GND	Ground
IIC-BUS SCL	IIC-BUS Serial Clock
IIC-BUS SDA	IIC-BUS Serial Data
KEY-1	Key Data Input 1
MAIN-P-ON	Power On Signal
MODE1	Mode 1 Signal

Signal Name	Function
MODE2	Mode 2 Signal
OSC1	Main Clock Output
OSC2	Main Clock Input
P-ON+1.2V	+1.2V at Power On Signal
P-ON+10.5V	+10.5V at Power On Signal
P-ON+12V	+12V at Power On Signal
P-ON+3.3V	+3.3V at Power On Signal
P-ON+5V	+5V at Power On Signal
PWSW1	Power On Signal Output1
PWSW2	Power On Signal Output2
PWSW3	Power On Signal Output3
RDY	Ready/Busy communication Control Signal
REMOTE	Remote Signal Input
RESET	Micro Controller Reset Signal
SAFETY	Power Supply Failure Detection
SPDIF	Digital Audio Interface Format Signal
STANDBY-LED	Standby LED Control Signal
SUB WOOFER	Sub Woofer Signal
SUB WOOFER-MUTE	Sub Woofer Mute Signal (Mute="L")
SUB-RXD	Reception Data from Main Micro Controller
SUB-TXD	Transmission Data to Main Micro Controller
SURROUND(L)	Surround Audio Left Signal (5.1ch)
SURROUND(R)	Surround Audio Right Signal (5.1ch)
SURROUND-MUTE	Surround Audio Mute Signal(Mute="L")
SYS-RESET	System Reset Signal
V5V-PW-SW	Video+5V Power Control
VDD	+3.3V Power Supply
VIDEO	Composite Video Signal
VIDEO-Pb/Cb	Component Video Signal (Pb/Cb)
VIDEO-Pr/Cr	Component Video Signal (Pr/Cr)
VIDEO-Y(I/P)	Component Video (Luminance) Signal (Interlace / Progressive)
VREF	Ground

CABINET DISASSEMBLY INSTRUCTIONS

1. Disassembly Flowchart

This flowchart indicates the disassembly steps to gain access to item(s) to be serviced. When reassembling, follow the steps in reverse order. Bend, route, and dress the cables as they were originally.



2. Disassembly Method

ID/ Loc. No.	Part	Removal		
		Fig. No.	Remove/*Unhook/ Unlock/Release/ Unplug/Desolder	Note
[1]	Top Cover	D1	10(S-1)	---
[2]	Tray Panel	D2	*2(L-1)	1
[3]	Front Assembly	D2	*5(L-2), *3(L-3), *CN2001	1
[4]	Front CBA	D2	4(S-2)	---
[5]	Power SW CBA	D2	(S-3)	---
[6]	FE Main CBA & BD Mechanism Assembly	D3	4(S-4), *CN2601, *CN6401	2
[7]	BE Main CBA Unit	D3	(S-5), (S-6), *CN7000, *CN7001, *CN7401, *CN7602, Locking Card Spacers	---
[8]	Power Supply CBA	D4	3(S-7a), (S-7b), (S-8), 2(S-9), *CN2600, Power PCB Holder	---
[9]	Rear Panel	D5	6(S-10), (S-11), (S-12), *CN2004	---
[10]	Motor DC Fan	D5	2(S-13), Fan Holder	---
[11]	AV CBA	D5	5(S-14), (S-15),	---
[12]	SD CBA	D5	2(S-16), 2(S-17), SD Card Holder	---

ID/ Loc. No.	Part	Removal		
		Fig. No.	Remove/*Unhook/ Unlock/Release/ Unplug/Desolder	Note
[13]	Front Bracket R	D5	(S-18)	---

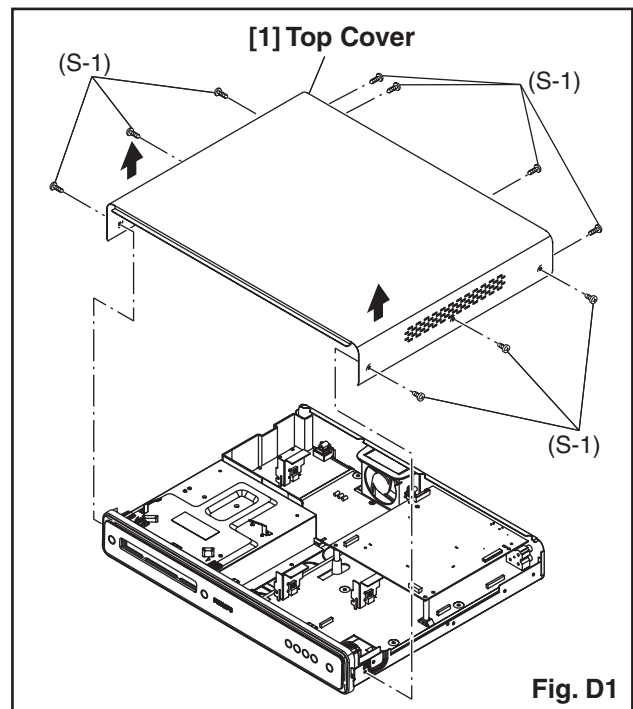
↓ (1) ↓ (2) ↓ (3) ↓ (4) ↓ (5)

Note:

- (1) Identification (location) No. of parts in the figures
- (2) Name of the part
- (3) Figure Number for reference
- (4) Identification of parts to be removed, unhooked, unlocked, released, unplugged, unclamped, or desoldered.
P = Spring, L = Locking Tab, S = Screw, CN = Connector
* = Unhook, Unlock, Release, Unplug, or Desolder
e.g. 2(S-2) = two Screws (S-2),
2(L-2) = two Locking Tabs (L-2)
- (5) Refer to "Reference Notes."

Reference Notes

1. **CAUTION 1:** Locking Tabs (L-1), (L-2) and (L-3) are fragile. Be careful not to break them.
2. The FE Main CBA & BD Mechanism Assembly is adjusted as a unit at factory. Therefore, do not disassemble it. Replace the FE Main CBA & BD Mechanism Assembly as a unit.



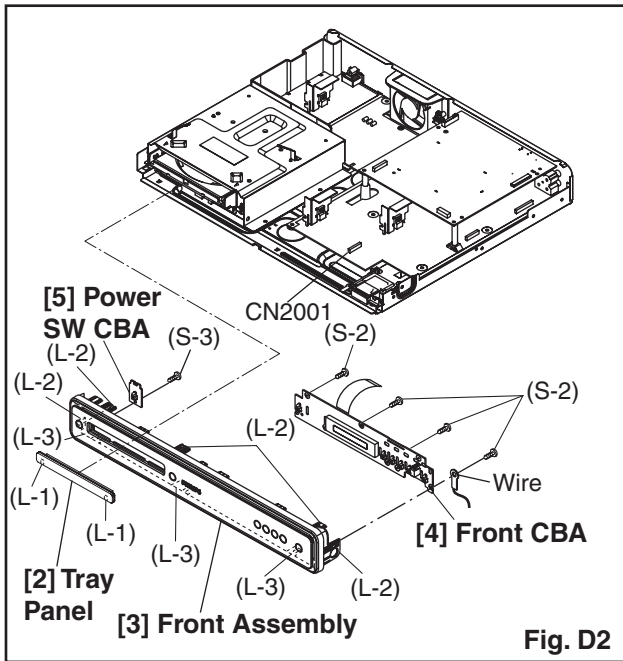


Fig. D2

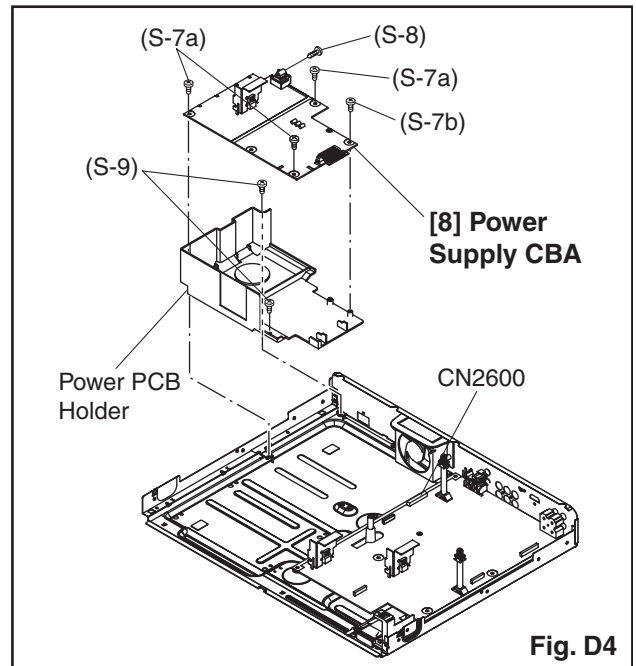


Fig. D4

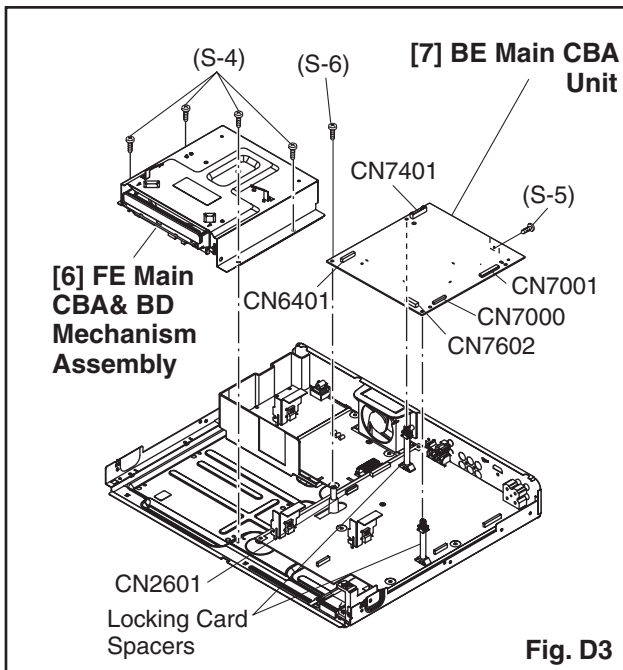


Fig. D3

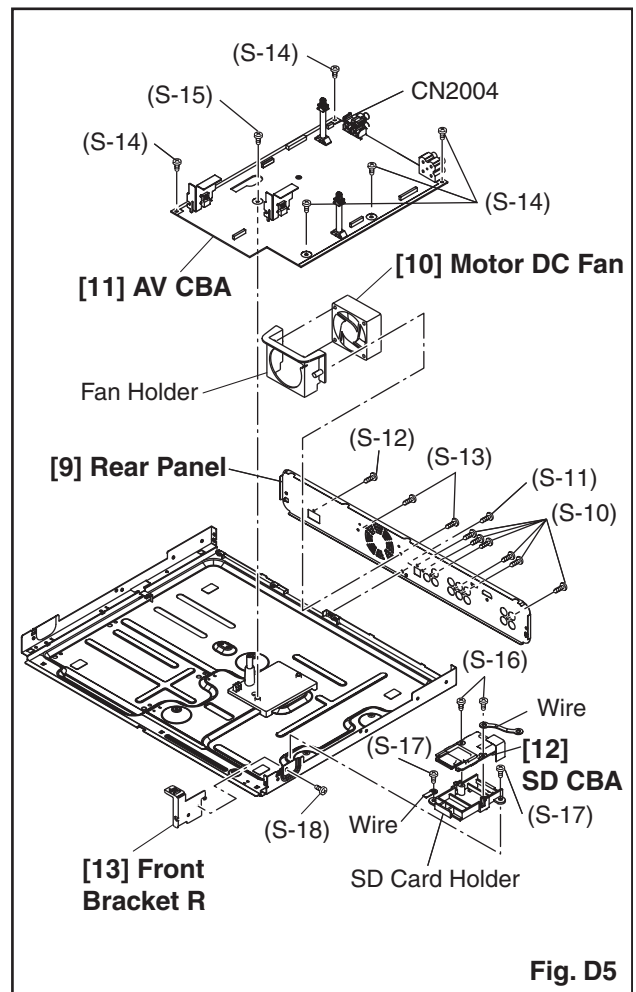
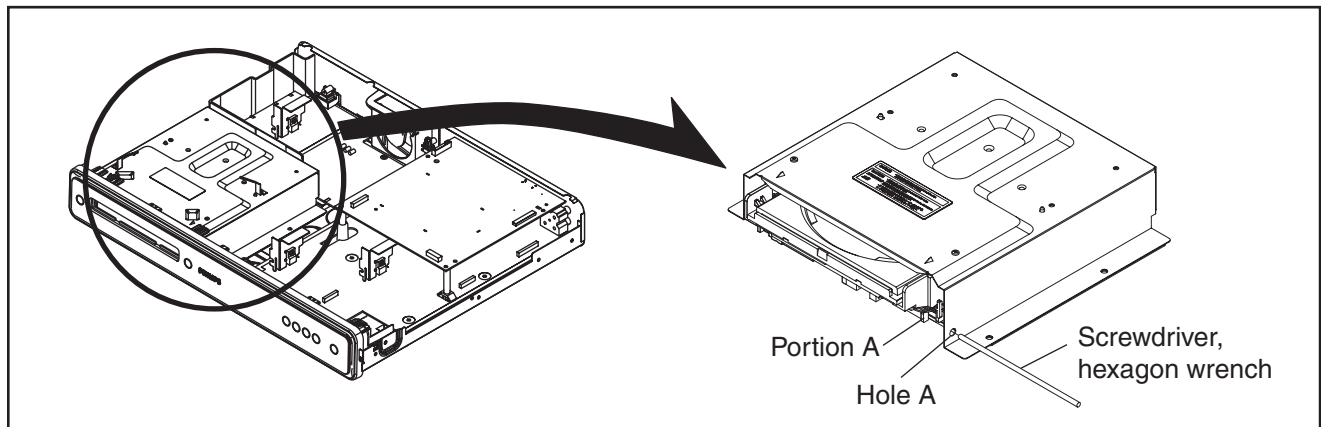


Fig. D5

3. How to Eject Manually

1. Remove the Top Cover.
2. Insert a screwdriver, etc. into the Hole A straightly so that the Portion A is pushed.
3. Pull the tray out manually and remove a disc.



HOW TO INITIALIZE THE BLU-RAY DISC PLAYER

To put the program back at the factory-default, initialize the BD player as the following procedure.

1. Turn the power on.
2. Press [1], [2], [3], [4], and [INFO] buttons on the remote control unit in that order. Fig. a appears on the screen.

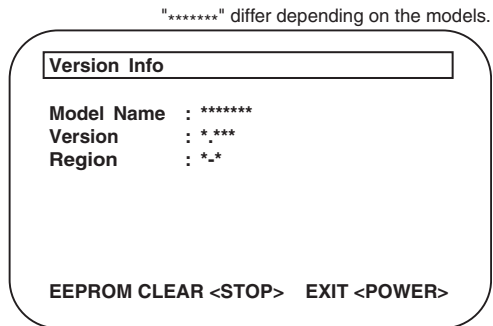


Fig. a

3. Press [STOP] button on the remote control unit. Fig. b appears on the screen and Fig. c appears on the VFD.

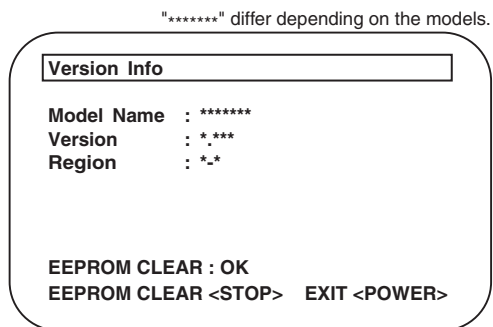


Fig. b

CLEAR

Fig. c

4. To exit this mode, press [⏻] button.

FIRMWARE RENEWAL MODE

1. Turn the power on and remove the disc on the tray.
2. To put the BD player into version up mode, press [9], [8], [7], [6], and [DISC MENU/POP-UP MENU] buttons on the remote control unit in that order. The tray will open automatically. Fig. a appears on the screen and Fig. b appears on the VFD.

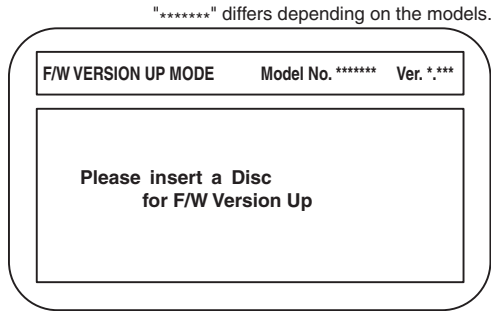


Fig. a Version Up Mode Screen



Fig. b VFD in Version Up Mode

The BD player can also enter the version up mode with the tray open. In this case, Fig. a will be shown on the screen while the tray is open.

3. Load the disc for version up.
4. The BD player enters the F/W version up mode automatically. Fig. c appears on the screen and Fig. d appears on the VFD. If you enter the F/W for different models, "Disc Error" will appear on the screen, then the tray will open automatically.

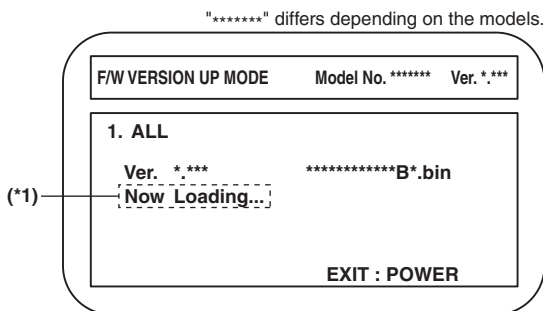


Fig. c Programming Mode Screen (Example)



Fig. d VFD in Programming Mode (Example)

The appearance shown in (*1) of Fig. c is described as follows:

No.	Appearance	State
1	Now Loading...	Loading the disc
2	Reading...	Sending files into the memory. After reading, automatically the tray opens.
3	Remove the disc	Reading has finished. Remove the disc and close the tray.
4	See FL display	Writing new version data, the progress will be displayed as shown in Fig. e.



Fig. e VFD in Version Up Mode

5. After programming is finished, the checksum on the VFD (Fig. f).



Fig. f VFD upon Finishing the Programming Mode (Example)

At this time, no button is available.

6. Unplug the AC cord from the AC outlet. Then plug it again.
7. Turn the power on.
8. Press [1], [2], [3], [4], and [INFO] buttons on the remote control unit in that order. Fig. g appears on the screen.

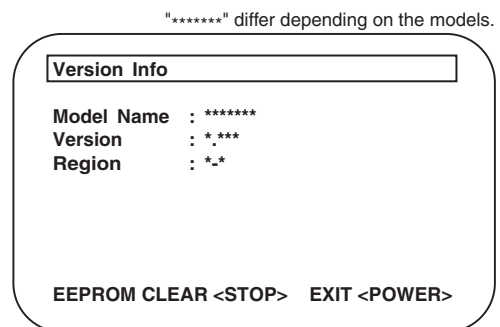


Fig. g

9. Press [STOP] button on the remote control unit.
Fig. h appears on the screen and Fig. i appears on the VFD.

"*****" differ depending on the models.

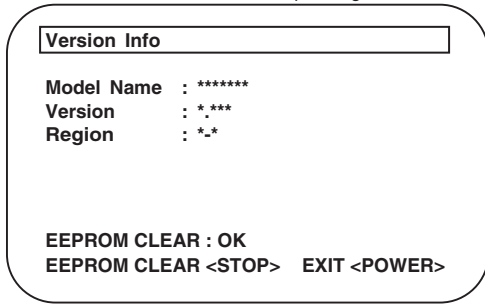


Fig. h

CLEAR

Fig. i

10. To exit this mode, press [⏻] button.

How to Verify the Firmware Version

1. Turn the power on.
2. Press [1], [2], [3], [4], and [INFO] buttons on the remote control unit in that order.
Fig. j appears on the screen.

"*****" differ depending on the models.

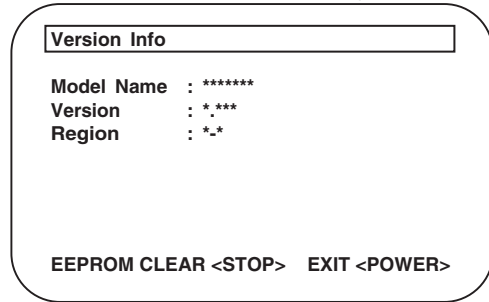
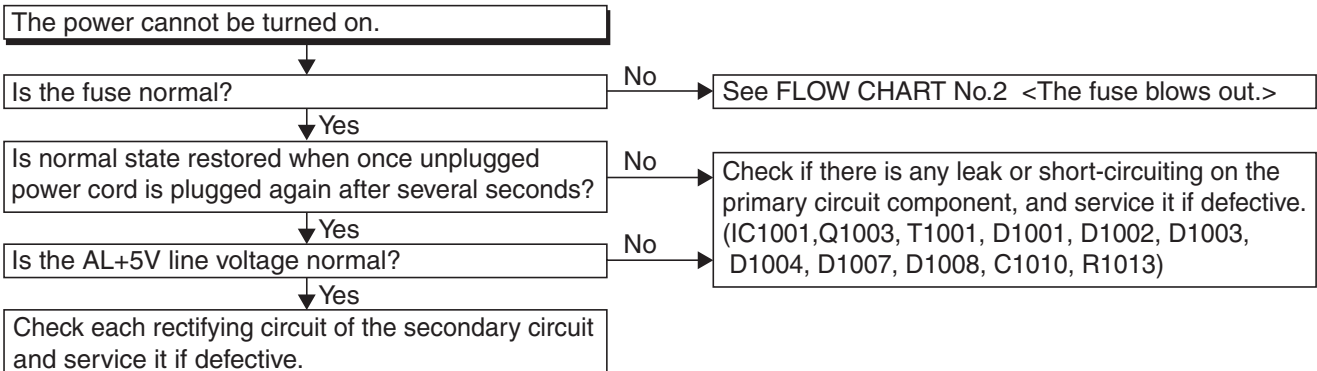


Fig. j

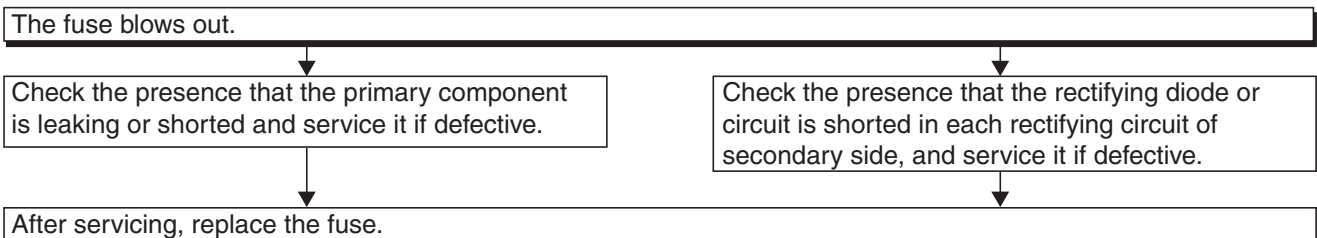
3. To exit this mode, press [⏻] button.

TROUBLESHOOTING

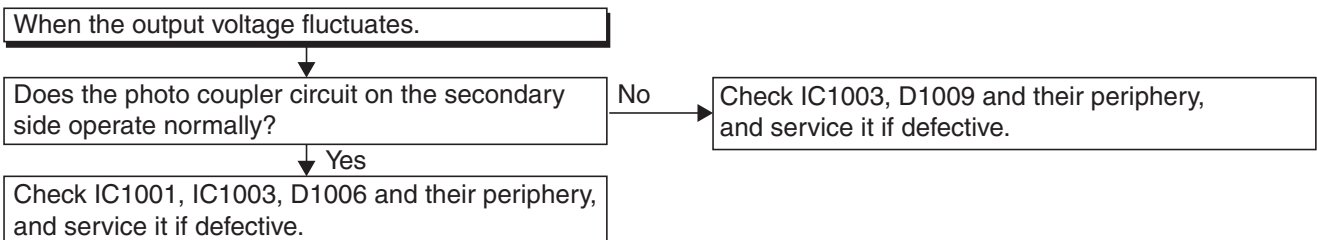
FLOW CHART NO.1



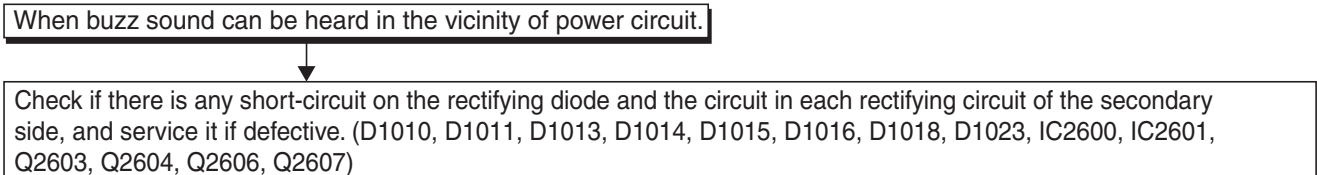
FLOW CHART NO.2



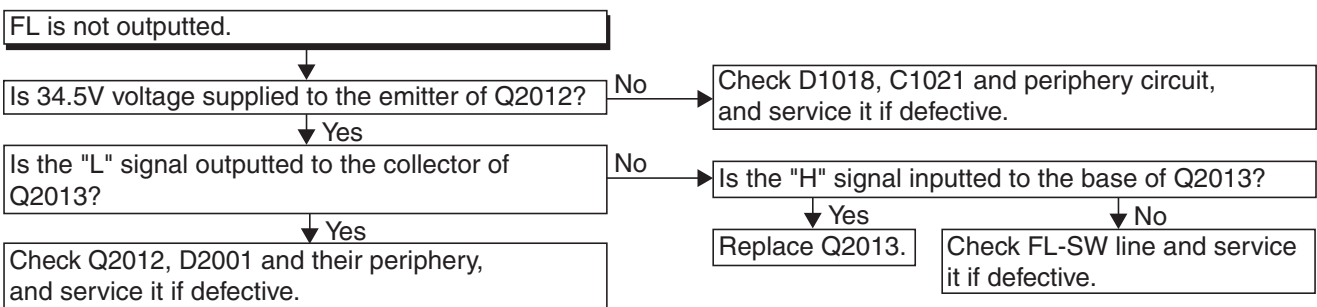
FLOW CHART NO.3



FLOW CHART NO.4



FLOW CHART NO.5



FLOW CHART NO.6

P-ON+12V is not outputted.

Is 12V voltage supplied to the emitter of Q2603?

No → Check D1011, D1019, C1017, L1005 and their periphery circuit, and service it if defective.

Yes

Is the voltage of base on Q2603 lower than the voltage of emitter on Q2603 when turning the power on?

No → Check Q2601 and PWSW3 line and service it if defective.

Yes

Replace Q2603.

FLOW CHART NO.7

P-ON+5V (1) is not outputted.

Is 5V voltage inputted to the emitter of Q2606?

No → Check D1013, D1014, D1015, C1019, C1025, and their periphery, and service it if defective.

Yes

Is the voltage of base on Q2606 lower than the voltage of emitter on Q2606 when turning the power on?

No → Check Q2605 and PWSW3 line and service it if defective.

Yes

Replace Q2606.

FLOW CHART NO.8

P-ON+5V (2) is not outputted.

Is 5V voltage inputted to the emitter of Q2604?

No → Check D1013, D1014, D1015, C1019, C1025, and their periphery, and service it if defective.

Yes

Is the voltage of base on Q2604 lower than the voltage of emitter on Q2604 when turning the power on?

No → Check Q2605 and PWSW3 line and service it if defective.

Yes

Replace Q2604.

FLOW CHART NO.9

P-ON+10.5V is not outputted.

Is 13V voltage inputted to the collector of Q2607?

No → Check D1020, D1023, C1018, C1024, L1003 and their periphery, and service it if defective.

Yes

Is 11V voltage inputted to the base of Q2607?

No → Is 12V voltage inputted to the base of Q2602?

Yes

Replace Q2607.

Yes → Check Q2602, D2606, and their periphery, and service it if defective.

No → Check Q2601, D2613, and PWSW3 line, and service it if defective.

FLOW CHART NO.10

P-ON+1.2V is not outputted.

Is 2.5V voltage supplied to Pin(1) of IC2601?

No → Check D1016, C1020 and the periphery circuit, and service it if defective.

Yes

Replace IC2601.

FLOW CHART NO.11

P-ON+3.3V is not outputted.

Is 5V voltage supplied to Pin(1) of IC2600?

No

Check D1013, D1014, D1015, D1021, C1025 and their periphery circuit, and service it if defective.

Yes

Replace IC2600.

FLOW CHART NO.12

The fluorescent display tube does not light up.

Is 3.3V voltage supplied to Pin(24) of FL3000?

No

Check P-ON+3.3V line and service it if defective.

Yes

Is 8V voltage supplied to Pin(1,2) of FL3000?

No

Is 10V voltage supplied to the emitter of Q2014?

Yes

Yes

Is 9V voltage inputted to the base of Q2014?

Yes

Replace Q2014.

No

Check D1010, C1016, R1018 and their periphery, and service it if defective.

Check Q2013 and FL-SW line and service it if defective.

No

Is 5V voltage supplied to Pins(29,30) of FL3000?

Check F2 line and service it if defective.

Yes

Replace FL3000.

FLOW CHART NO.13

The key operation is not functioning.

Are the contact point and the installation state of the key switches (SW3000-3005, SW3100) normal?

No

Re-install the switches (SW3000-3005, SW3100) correctly or replace the poor switch.

Yes

When pressing each switches (SW3000-3005, SW3100), do the voltage of Pin(4) of IC2000 increase?

No

Check the switches (SW3000-3005, SW3100) and their periphery, and service it if defective.

Yes

Replace IC2000.

FLOW CHART NO.14

No operation is possible from the remote control unit.(Operation is possible from the unit.)

Is 5V voltage supplied to Pin(2) of RS3000 (remote control receiver) ?

No

Check AL+3.3V line and service it if defective.

Yes

Is the "L" pulse sent out Pin(1) of RS3000 (remote control receiver) when the remote control unit is activated?

No

Replace the RS3000 (remote control receiver) or remote control unit.

Yes

Is the "H" pulse inputted to the Pin(27) of IC2000?

No

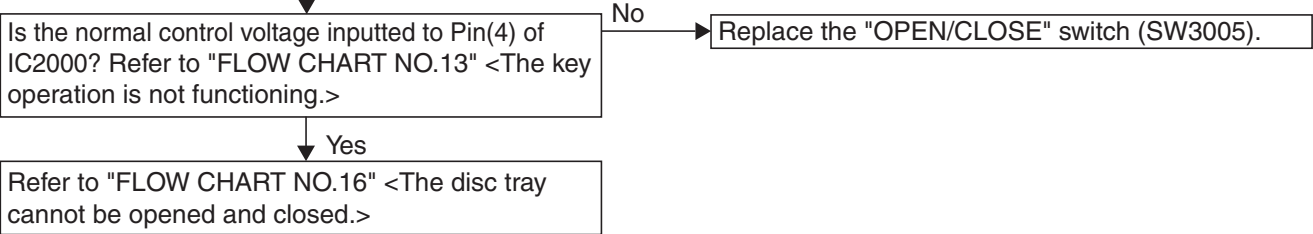
Check the line between the RS3000 (remote control receiver) and the Pin(27) of IC2000, and service it if defective.

Yes

Replace IC2000.

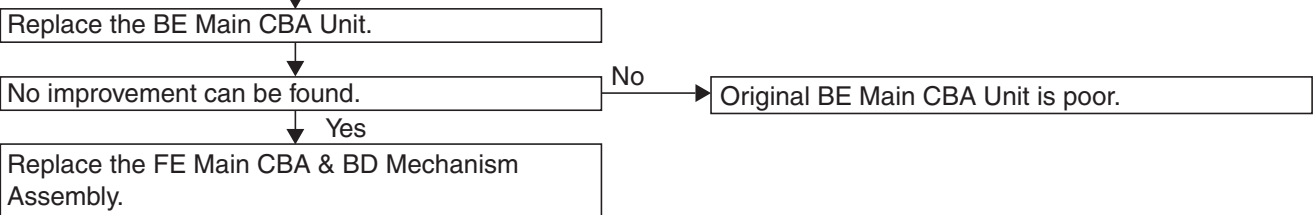
FLOW CHART NO.15

The disc tray cannot be opened and closed. (It can be done using the remote control unit.)

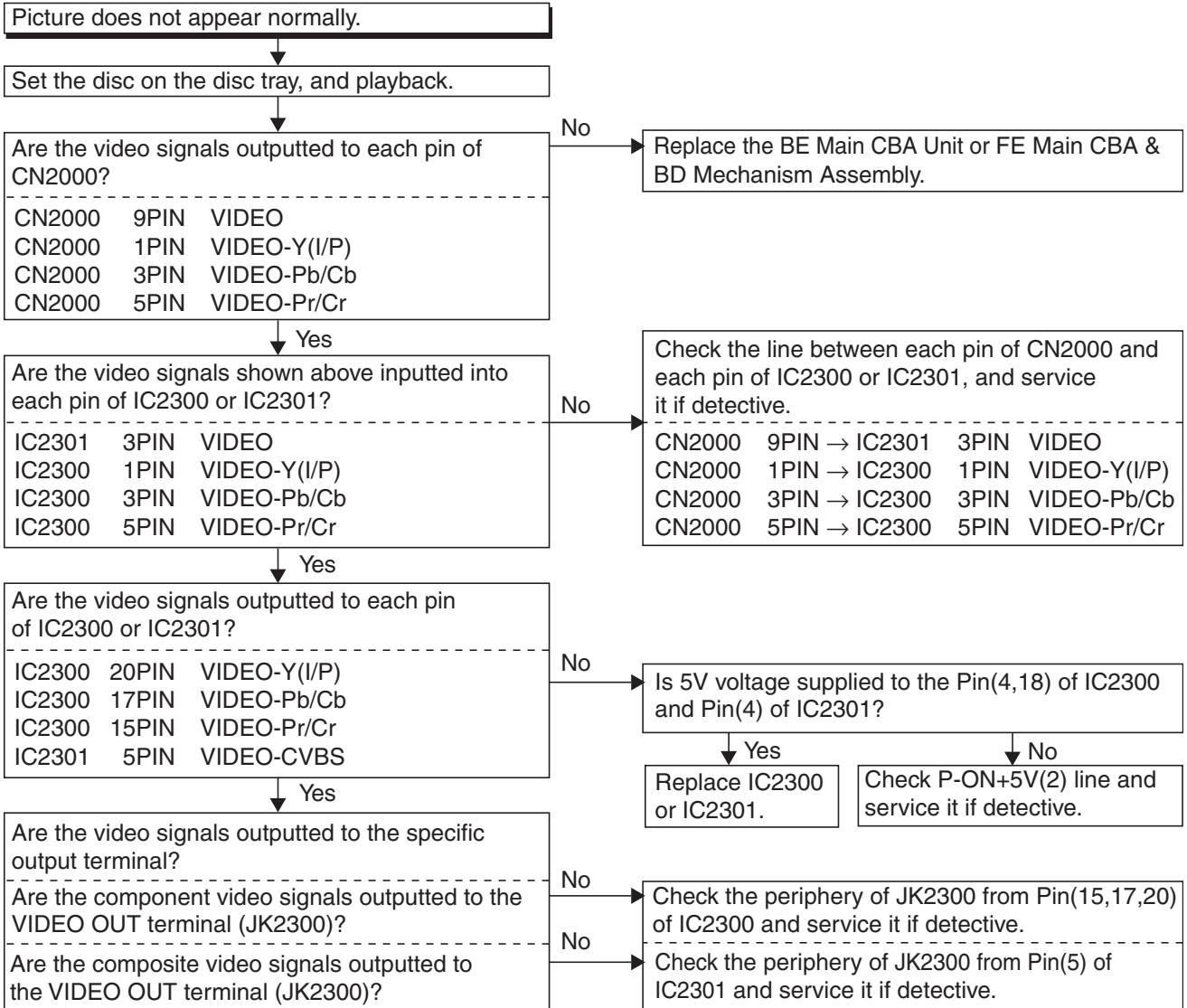


FLOW CHART NO.16

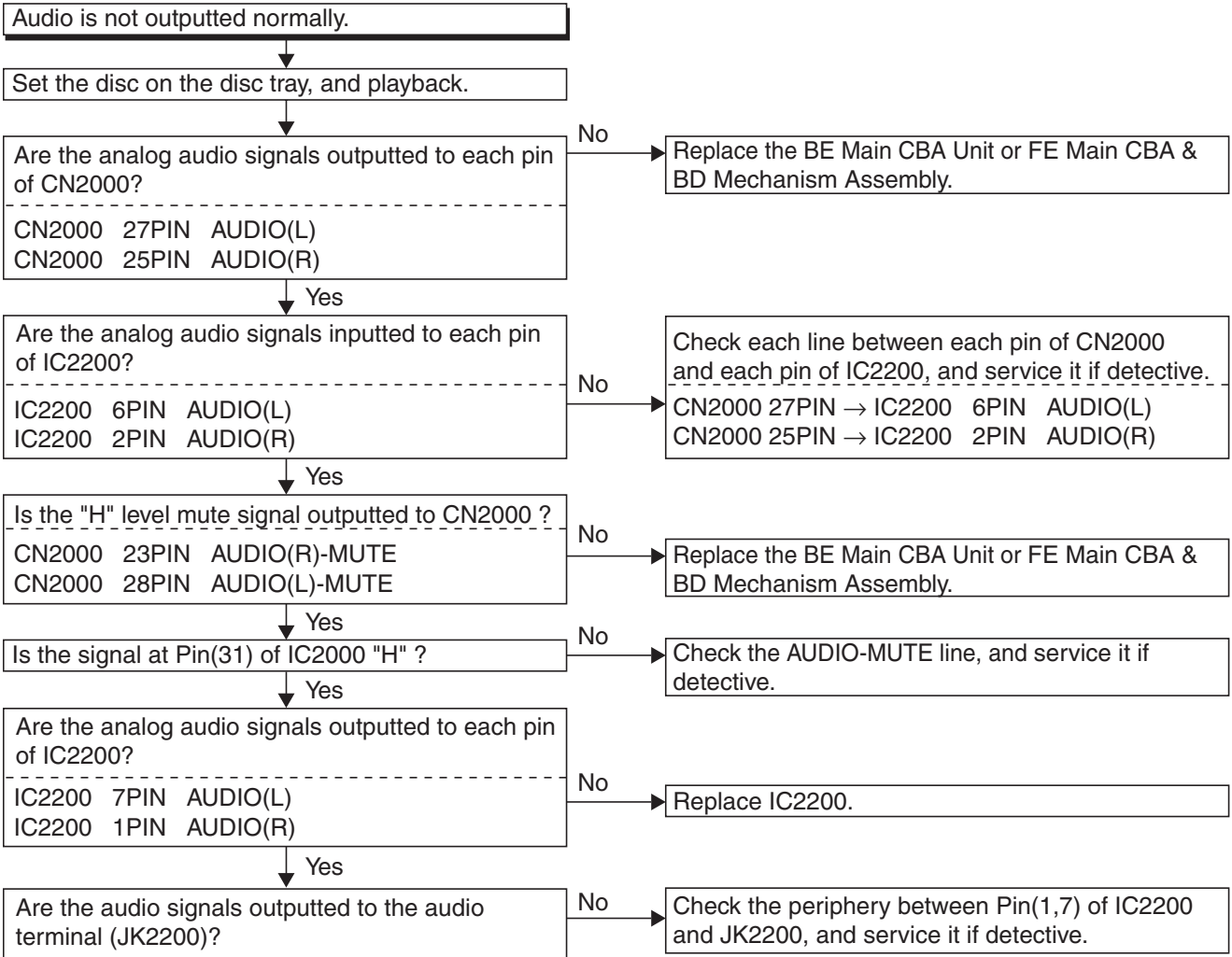
The disc tray cannot be opened and closed.
[No Disc] indicated.
Both functions of picture and sound do not operate normally.



FLOW CHART NO.17



FLOW CHART NO.18



FLOW CHART NO.19

Audio is not outputted. (JK2701)

Set the disc (with 5.1ch Audio) on the disc tray, and playback.

Are the analog audio signals outputted to each pin of CN2701?

CN2701	4PIN	FRONT-AUDIO(L)
CN2701	2PIN	FRONT-AUDIO(R)
CN2701	9PIN	SURROUND(L)
CN2701	7PIN	SURROUND(R)
CN2701	13PIN	CENTER
CN2701	11PIN	SUB WOOFER

No → Replace the BE Main CBA or FE Main CBA & BD Mechanism Assembly.

Yes

Are the analog audio signals inputted to each pin of IC2700, IC2701 and IC2702.

IC2700	2, 6PIN	FRONT-AUDIO(L/R)
IC2701	2, 6PIN	CENTER/SUB WOOFER
IC2702	2, 6PIN	SURROUND(L/R)

No → Check each line between each pin of CN2701 and each pin of IC2700, IC2701 and IC2702 and service it if defective.

CN2701	2,4PIN	→ IC2700	2,6PIN	FRONT-AUDIO(L/R)
CN2701	11,13PIN	→ IC2701	2,6PIN	CENTER/SUB WOOFER
CN2701	7,9PIN	→ IC2702	2,6PIN	SURROUND(L/R)

Yes

Are the analog audio signals outputted to each pin of IC2700, IC2701 and IC2702.

IC2700	1,7PIN	FRONT-AUDIO(L/R)
IC2701	1,7PIN	CENTER/SUB WOOFER
IC2702	1,7PIN	SURROUND(L/R)

No → Replace ICs (IC2700, IC2701 or IC2702).

Yes

Do the mute signals of CN2701 become to "H" level?

FRONT-AUDIO(L)	→ CN2701	5PIN
FRONT-AUDIO(R)	→ CN2701	1PIN
SURROUND(L/R)	→ CN2701	6PIN
CENTER	→ CN2701	14PIN
SUB WOOFER	→ CN2701	10PIN

No → Replace the BE Main CBA Unit.

Yes

Is the analog audio signal of each line outputted to each terminal of JK2701 (as shown below) ?

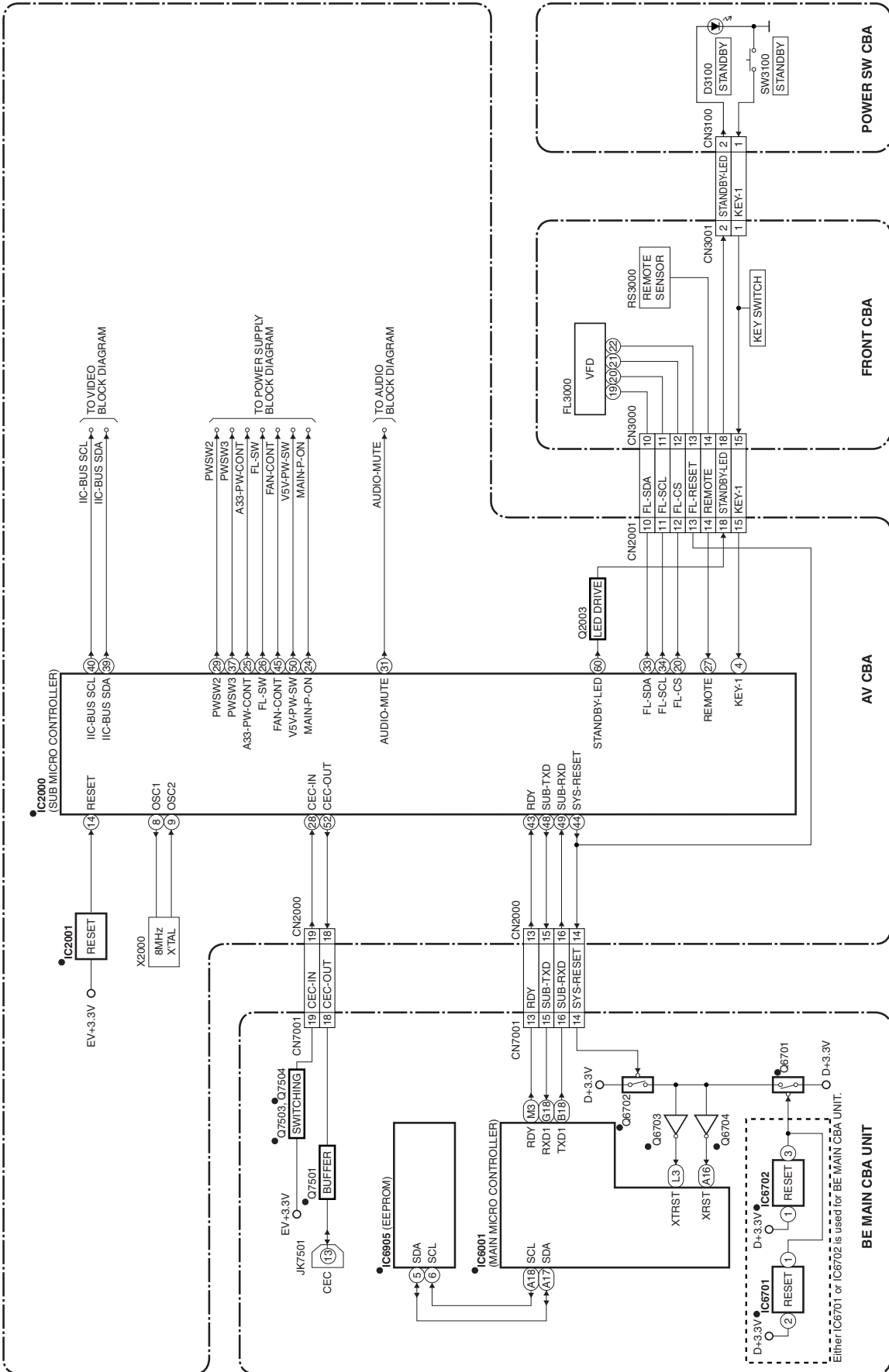
IC2700	1PIN	→ JK2701	FRONT(R)-OUT
IC2700	7PIN	→ JK2701	FRONT(L)-OUT
IC2701	1PIN	→ JK2701	SUB WOOFER-OUT
IC2701	7PIN	→ JK2701	CENTER-OUT
IC2702	1PIN	→ JK2701	SURROUND(R)-OUT
IC2702	7PIN	→ JK2701	SURROUND(L)-OUT

No → Check each line and service it if defective.

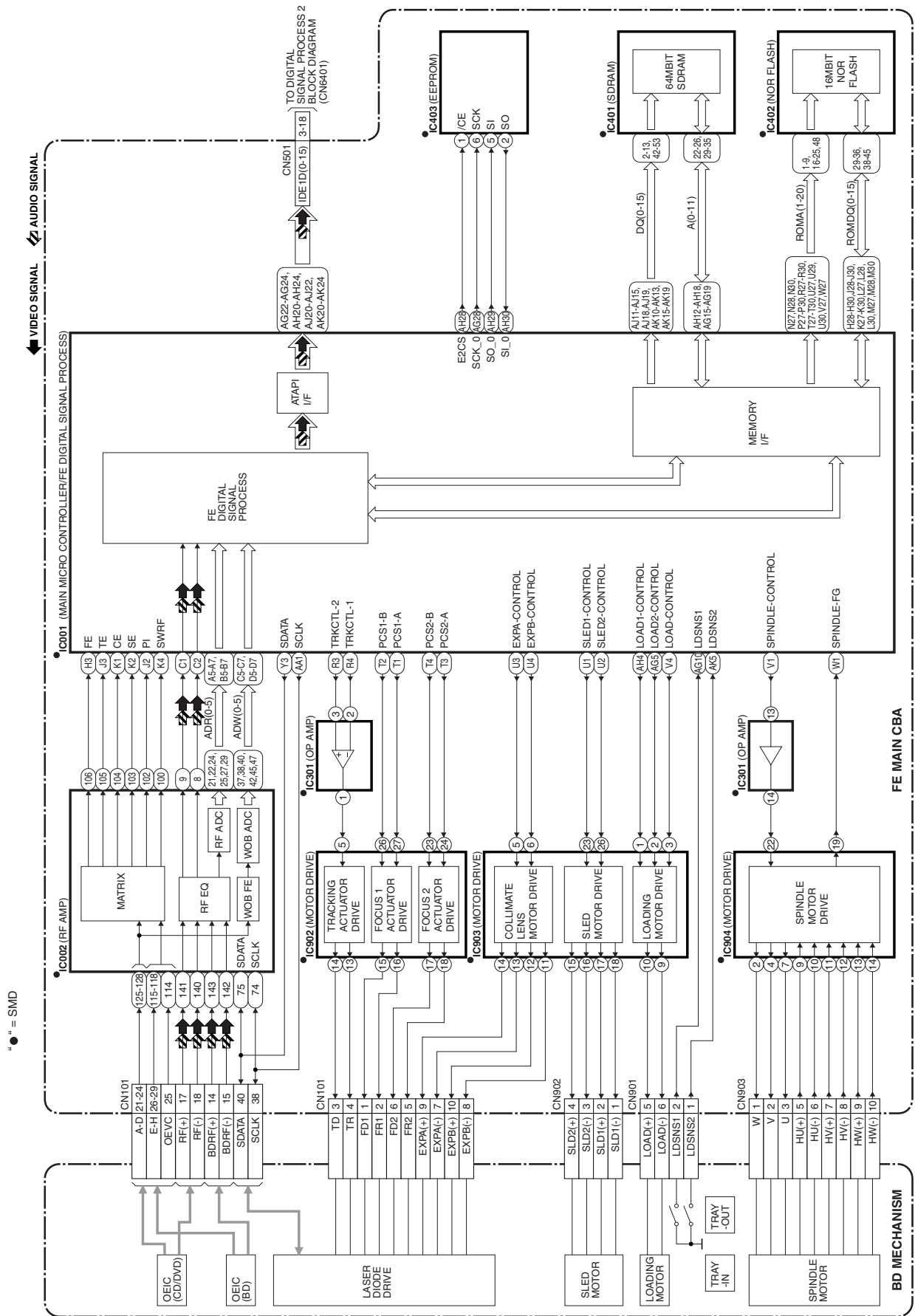
BLOCK DIAGRAMS

System Control Block Diagram

* = SMD

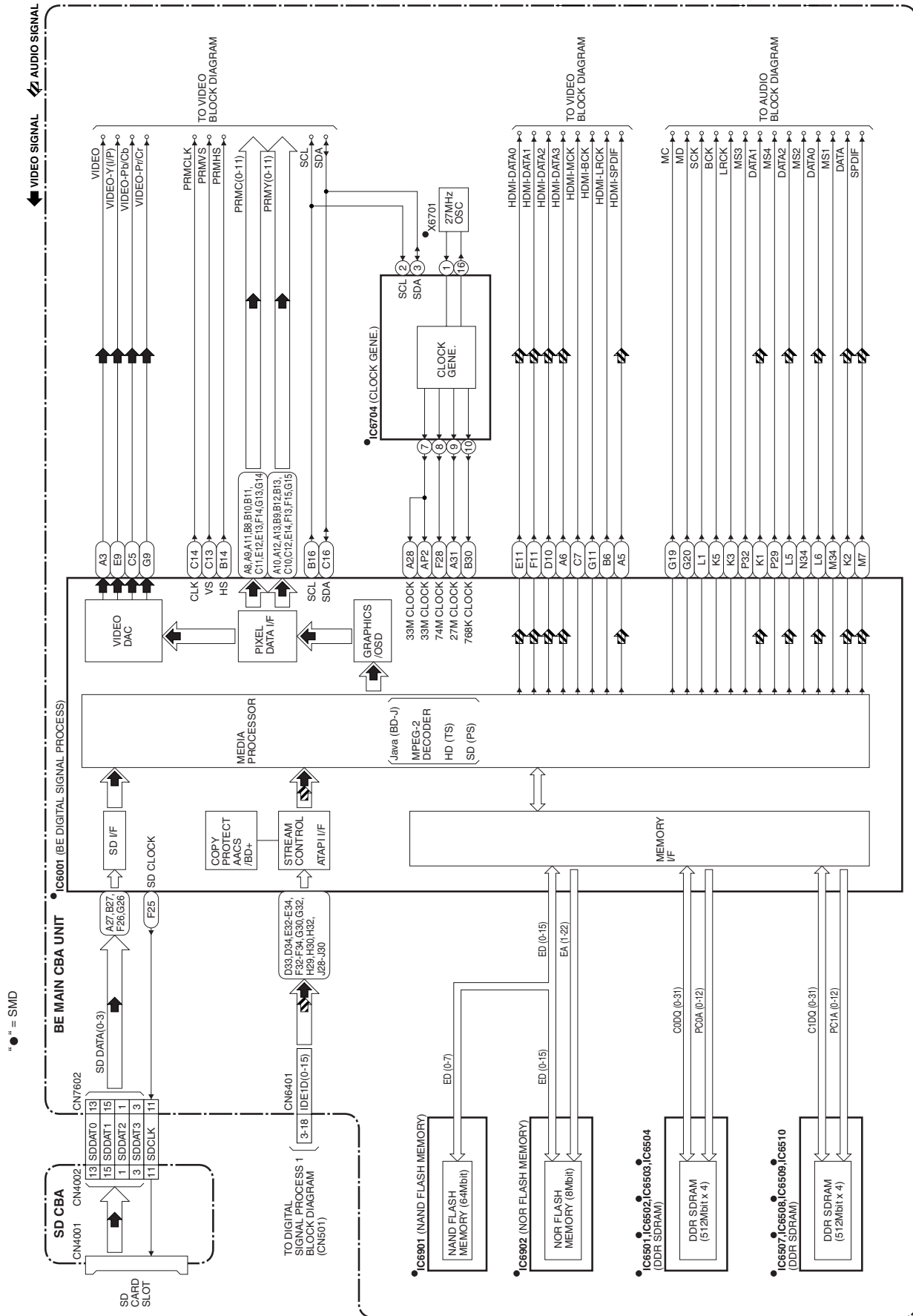


Digital Signal Process 1 Block Diagram

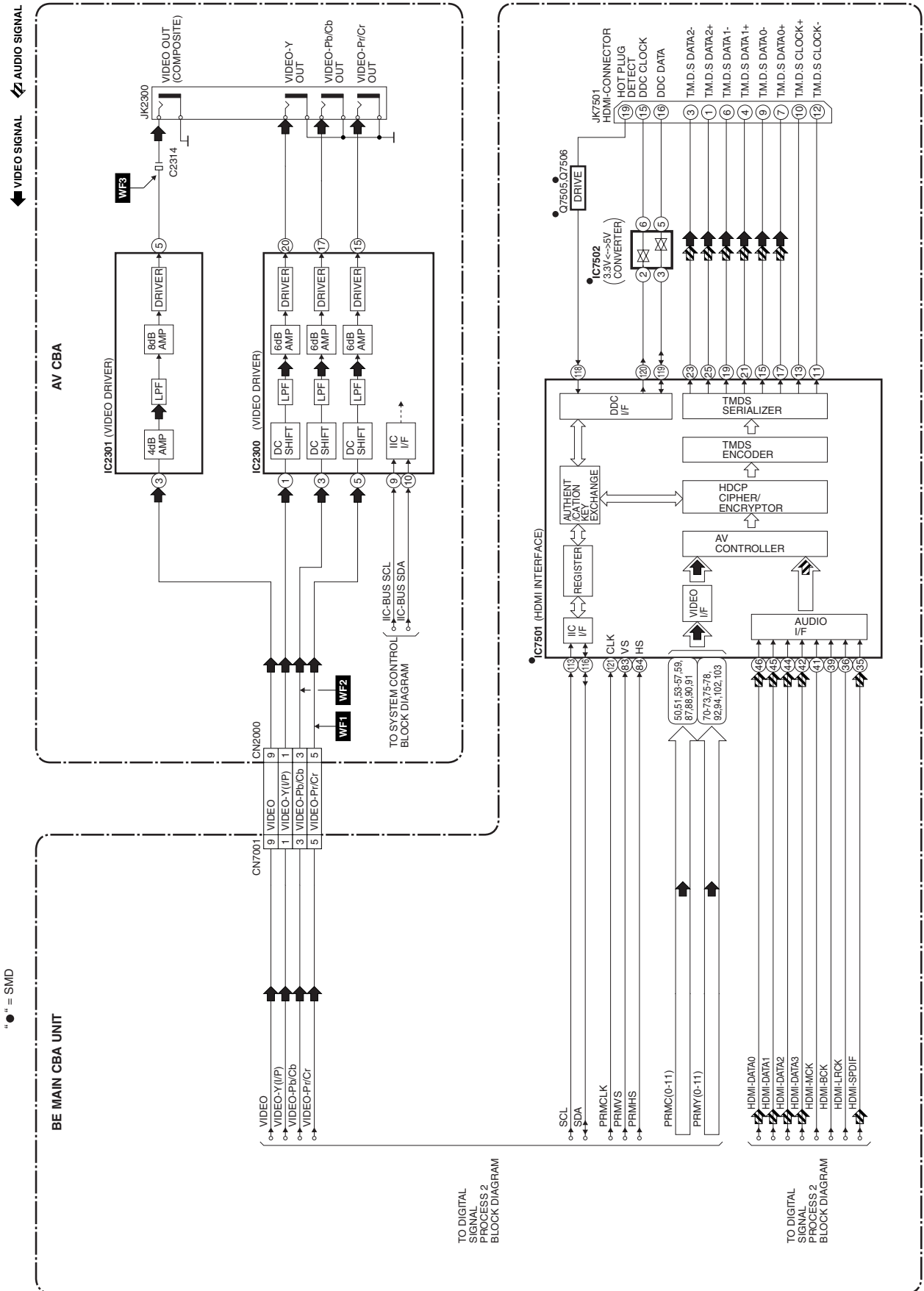


"•" = SMD

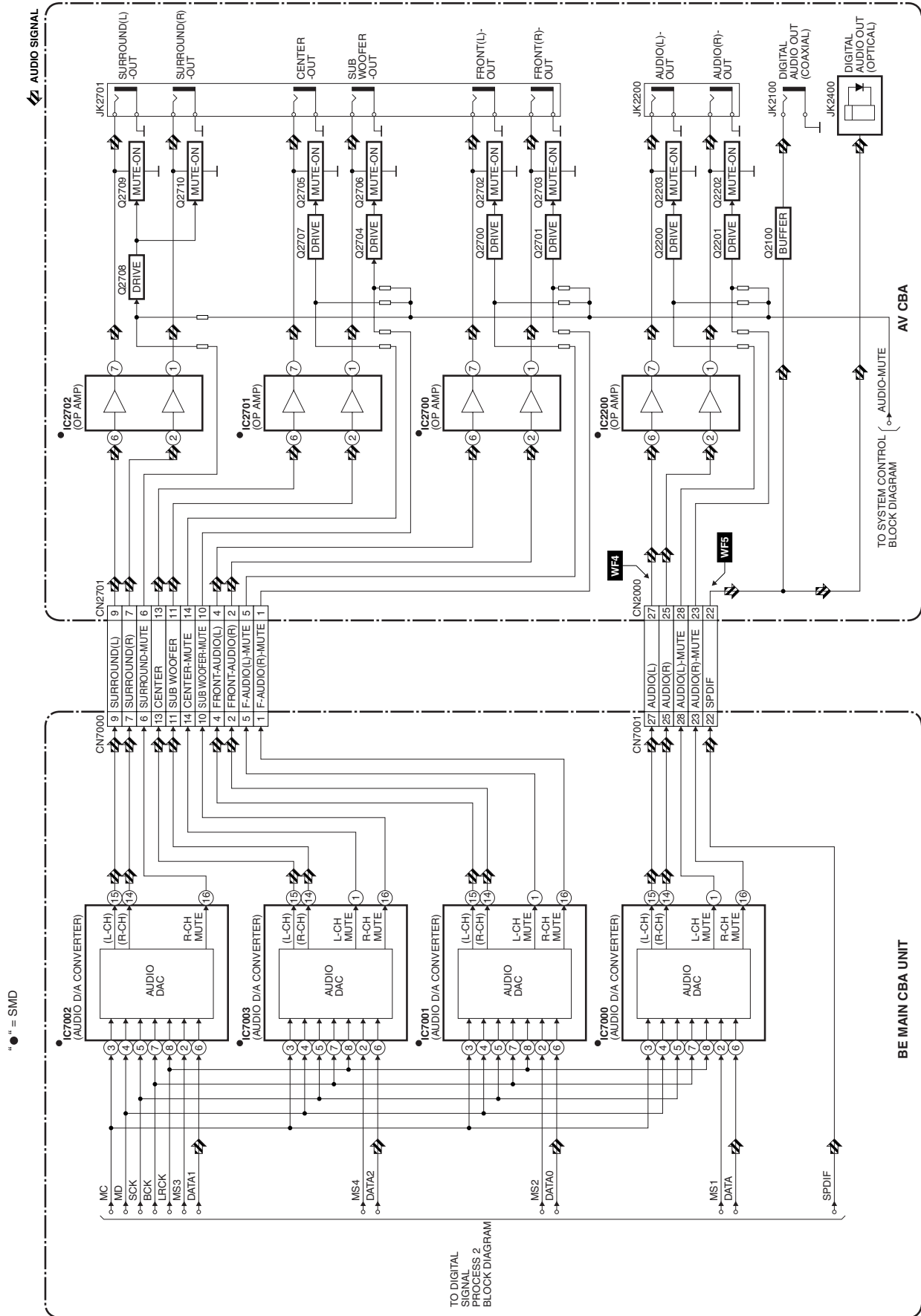
Digital Signal Process 2 Block Diagram



Video Block Diagram



Audio Block Diagram



Power Supply Block Diagram

CAUTION !

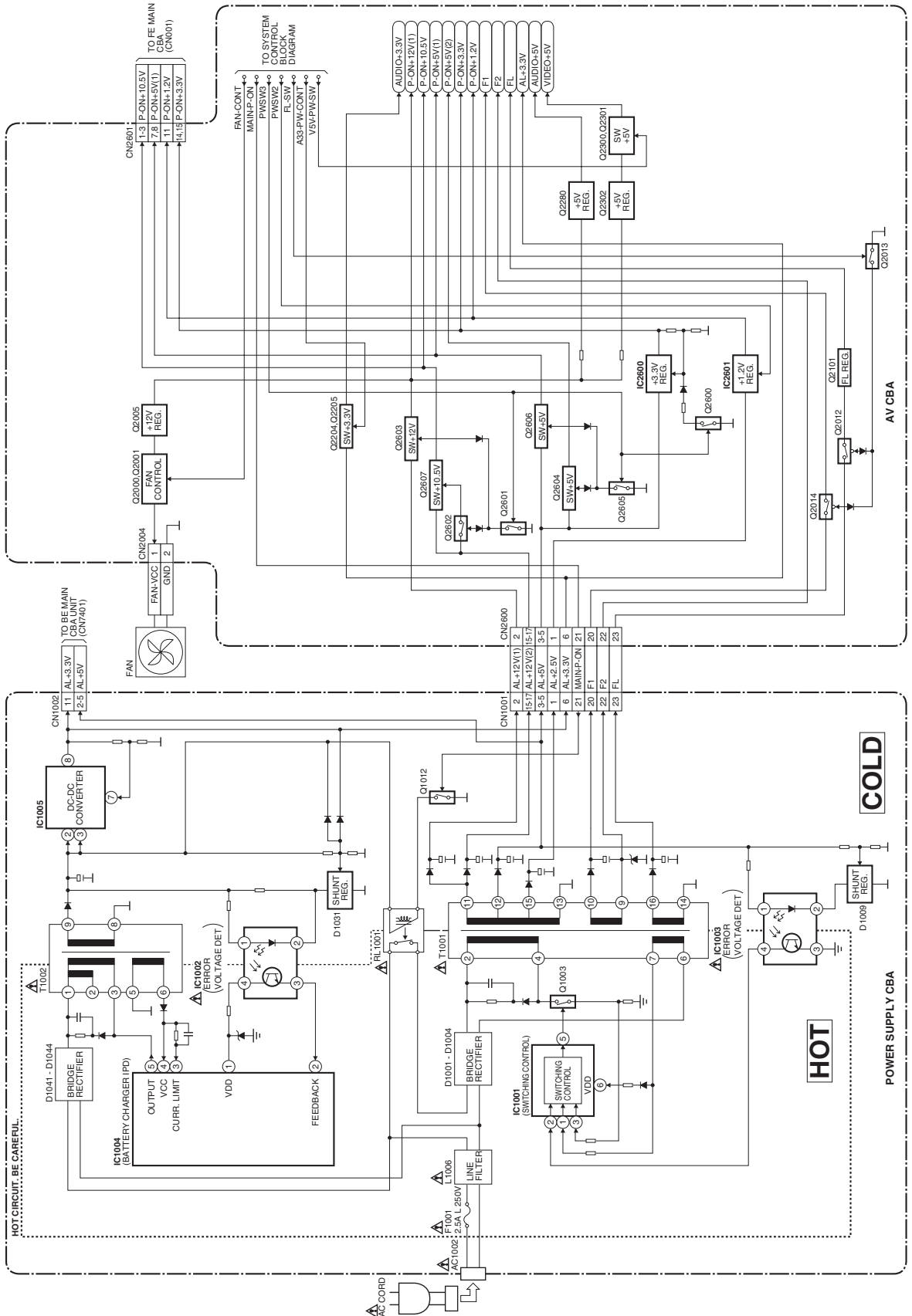
Fixed voltage (or Auto voltage selectable) power supply circuit is used in this unit.
If Main Fuse (F1001) is blown, check to see that all components in the power supply circuit are not defective before you connect the AC plug to the AC power supply.
Otherwise it may cause some components in the power supply circuit to fail.

CAUTION !

For continued protection against fire hazard, replace only with the same type fuse.

NOTE:

The voltage for parts in hot circuit is measured using hot GND as a common terminal.



SCHEMATIC DIAGRAMS / CBA'S

Standard Notes

WARNING

Many electrical and mechanical parts in this chassis have special characteristics. These characteristics often pass unnoticed and the protection afforded by them cannot necessarily be obtained by using replacement components rated for higher voltage, wattage, etc. Replacement parts that have these special safety characteristics are identified in this manual and its supplements; electrical components having such features are identified by the mark "⚠" in the schematic diagram and the parts list. Before replacing any of these components, read the parts list in this manual carefully. The use of substitute replacement parts that do not have the same safety characteristics as specified in the parts list may create shock, fire, or other hazards.

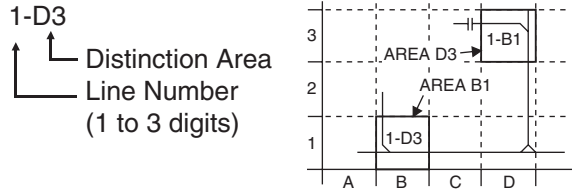
Capacitor Temperature Markings

Mark	Capacity change rate	Standard temperature	Temperature range
(B)	±10%	20°C	-25~+85°C
(F)	±30 - 80%	20°C	-25~+85°C
(SR)	±15%	20°C	-25~+85°C
(Y)	±22.5%	20°C	-25~+85°C

Capacitors and transistors are represented by the following symbols.

Notes:

- Do not use the part number shown on these drawings for ordering. The correct part number is shown in the parts list, and may be slightly different or amended since these drawings were prepared.
- To maintain original function and reliability of repaired units, use only original replacement parts which are listed with their part numbers in the parts list section of the service manual.
- How to read converged lines.



Examples:

- "1-D3" means that line number "1" goes to the line number "1" of the area "D3".
- "1-B1" means that line number "1" goes to the line number "1" of the area "B1".
- All resistance values are indicated in ohms ($K = 10^3$, $M = 10^6$).
- Resistor wattages are 1/6W unless otherwise specified.
- All capacitance values are indicated in μF ($P = 10^{-6} \mu F$).
- All voltages are DC voltages unless otherwise specified.
- Voltage indications for PLAY and STOP modes on the schematics are as shown below.

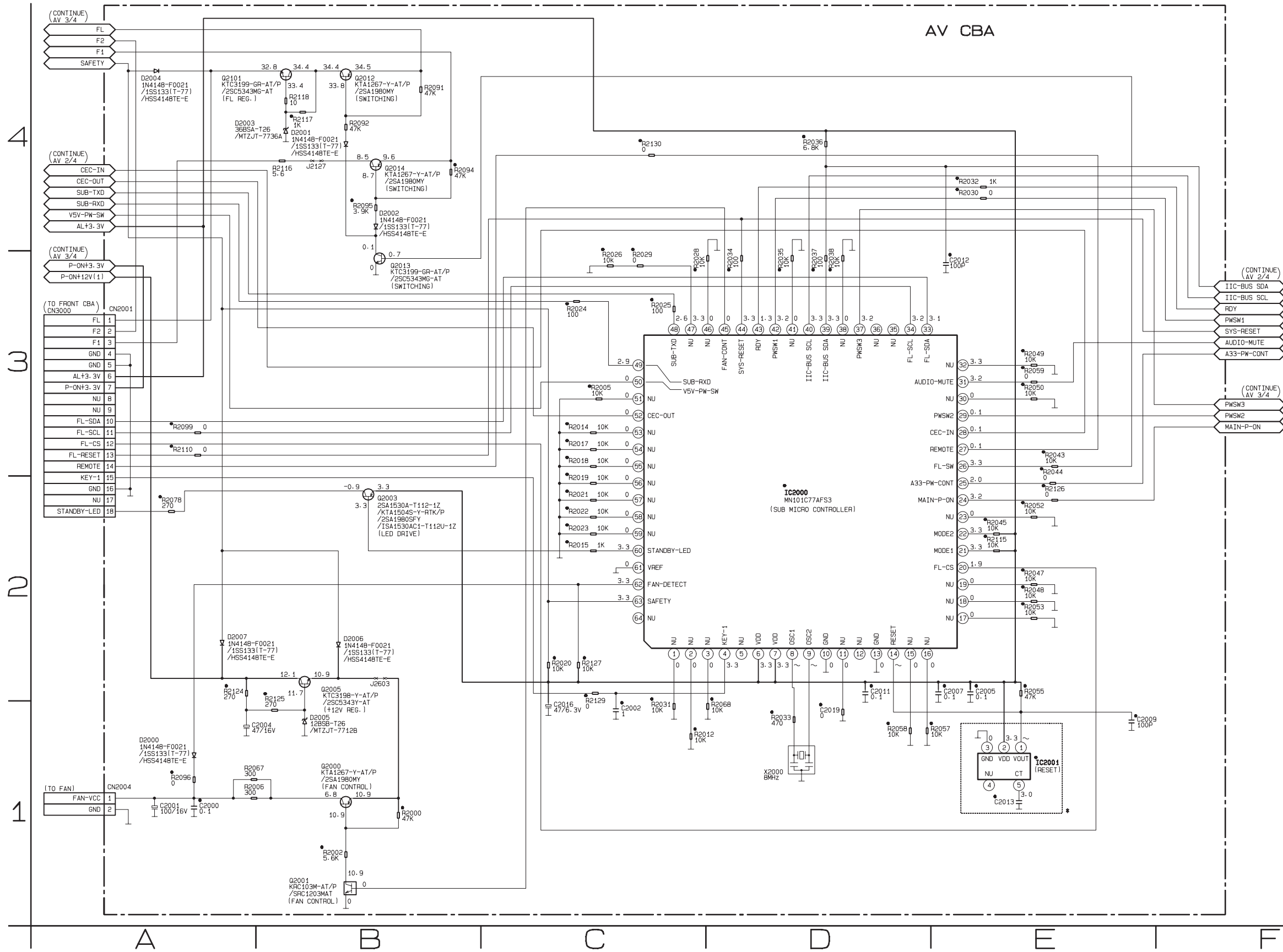
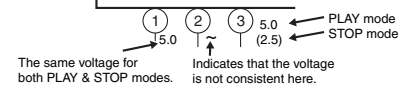
AV 1/4 Schematic Diagram Parts Location Guide

Ref No.	Position	Ref No.	Position	Ref No.	Position
CAPACITORS		TRANSISTORS		RESISTORS	
C2000	A-1	Q2014	B-4	R2048	E-2
C2001	A-1	Q2101	A-4	R2049	E-3
C2002	C-1	RESISTORS		R2050	E-3
C2004	A-1	R2000	B-1	R2052	E-2
C2005	E-2	R2002	B-1	R2053	E-2
C2007	E-2	R2005	C-3	R2055	E-2
C2009	E-1	R2006	A-1	R2057	E-1
C2011	D-2	R2012	C-1	R2058	D-1
C2012	E-3	R2014	C-3	R2059	E-3
C2013	E-1	R2015	C-2	R2067	A-1
C2016	C-1	R2017	C-3	R2068	D-1
C2019	D-1	R2018	C-3	R2078	A-2
CONNECTORS		R2019	C-2	R2091	B-4
CN2001	A-3	R2020	C-2	R2092	B-4
CN2003	F-1	R2021	C-2	R2094	B-4
CN2004	A-1	R2022	C-2	R2095	B-4
DIODES		R2023	C-2	R2096	A-1
D2000	A-1	R2024	C-3	R2099	A-3
D2001	B-4	R2025	C-3	R2103	J-1
D2002	B-4	R2026	C-3	R2104	J-1
D2003	A-4	R2028	C-3	R2105	K-1
D2004	A-4	R2029	C-3	R2109	J-1
D2005	B-1	R2030	E-4	R2110	A-3
D2006	B-2	R2031	C-1	R2115	E-2
D2007	A-2	R2032	E-4	R2116	B-4
ICS		R2033	D-1	R2117	B-4
IC2000	D-2	R2034	D-3	R2118	B-4
IC2001	E-1	R2035	D-3	R2124	A-2
TRANSISTORS		R2036	D-4	R2125	B-2
Q2000	B-1	R2037	D-3	R2126	E-2
Q2001	B-1	R2038	D-3	R2127	C-2
Q2003	B-2	R2043	E-3	R2129	C-2
Q2005	B-2	R2044	E-3	R2130	C-4
Q2012	B-4	R2045	E-2	CRYSTAL OSCILLATOR	
Q2013	B-3	R2047	E-2	X2000	D-1

AV 1/4 Schematic Diagram

Voltage indications for PLAY and STOP modes on the Schematic Diagrams are as shown below:

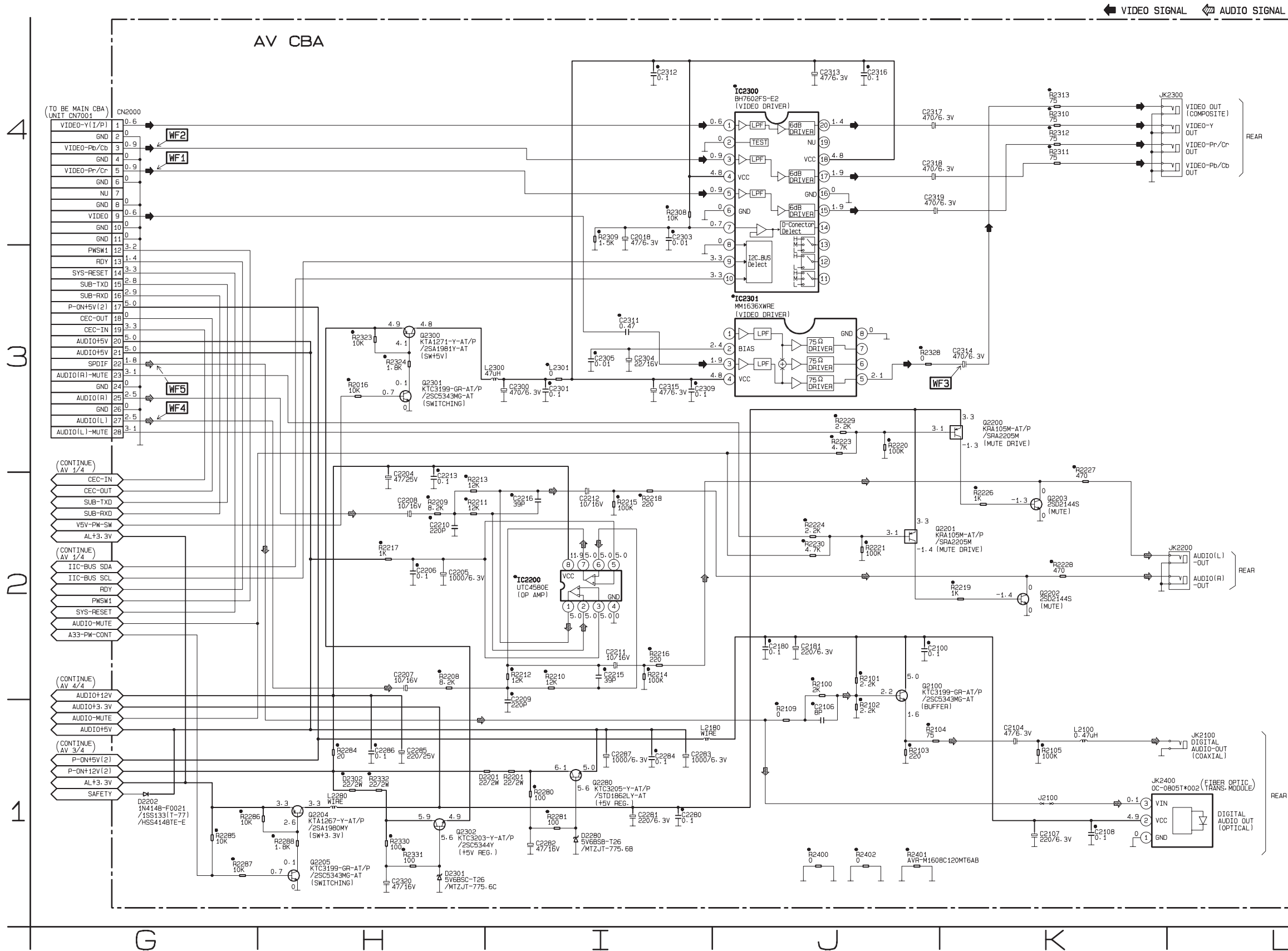
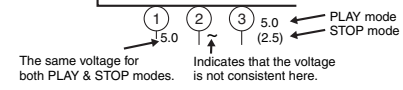
• = SMD



AV 2/4 Schematic Diagram

Voltage indications for PLAY and STOP modes on the Schematic Diagrams are as shown below:

"●" = SMD



AV 2/4 Schematic Diagram Parts Location Guide

Ref No.	Position	Ref No.	Position	Ref No.	Position
CAPACITORS		CAPACITORS		RESISTORS	
C2018	I-4	C2320	H-1	R2214	I-2
C2100	J-2	CONNECTOR		R2215	I-2
C2104	K-1	CN2000	G-4	R2216	I-2
C2106	J-1	DIODES		R2217	H-2
C2107	K-1	D2201	I-1	R2218	I-2
C2108	K-1	D2202	G-1	R2219	K-2
C2180	J-2	D2280	I-1	R2220	J-3
C2181	J-2	D2301	H-1	R2221	J-2
C2204	H-2	D2302	H-1	R2223	J-3
C2205	H-2	ICS		R2224	J-2
C2206	H-2	IC2200	I-2	R2226	K-2
C2207	H-2	IC2300	J-4	R2227	K-2
C2208	H-2	IC2301	J-3	R2228	K-2
C2209	I-1	COILS		R2229	J-3
C2210	H-2	L2100	K-1	R2230	J-2
C2211	I-2	L2180	I-1	R2280	I-1
C2212	I-2	L2280	H-1	R2281	I-1
C2213	H-2	L2300	I-3	R2284	H-1
C2215	I-2	L2301	I-3	R2285	G-1
C2216	I-2	TRANSISTORS		R2286	G-1
C2280	I-1	Q2100	J-2	R2287	G-1
C2281	I-1	Q2200	K-3	R2288	H-1
C2282	I-1	Q2201	J-2	R2308	I-4
C2283	I-1	Q2202	K-2	R2309	I-4
C2284	I-1	Q2203	K-2	R2310	K-4
C2285	H-1	Q2204	H-1	R2311	K-4
C2286	H-1	Q2205	H-1	R2312	K-4
C2287	I-1	Q2280	I-1	R2313	K-4
C2300	I-3	Q2300	H-3	R2323	H-3
C2301	I-3	Q2301	H-3	R2324	H-3
C2303	I-4	Q2302	H-1	R2328	J-3
C2304	I-3	RESISTORS		R2330	H-1
C2305	I-3	R2016	H-3	R2331	H-1
C2309	I-3	R2100	J-2	R2332	H-1
C2311	I-3	R2101	J-2	R2400	J-1
C2312	I-4	R2102	J-1	R2401	J-1
C2313	J-4	R2201	I-1	R2402	J-1
C2314	K-3	R2208	H-2	MISCELLANEOUS	
C2315	I-3	R2209	H-2	JK2100	L-1
C2316	J-4	R2210	I-2	JK2200	L-2
C2317	J-4	R2211	H-2	JK2300	L-4
C2318	J-4	R2212	I-2	JK2400	K-1
C2319	J-4	R2213	H-2		

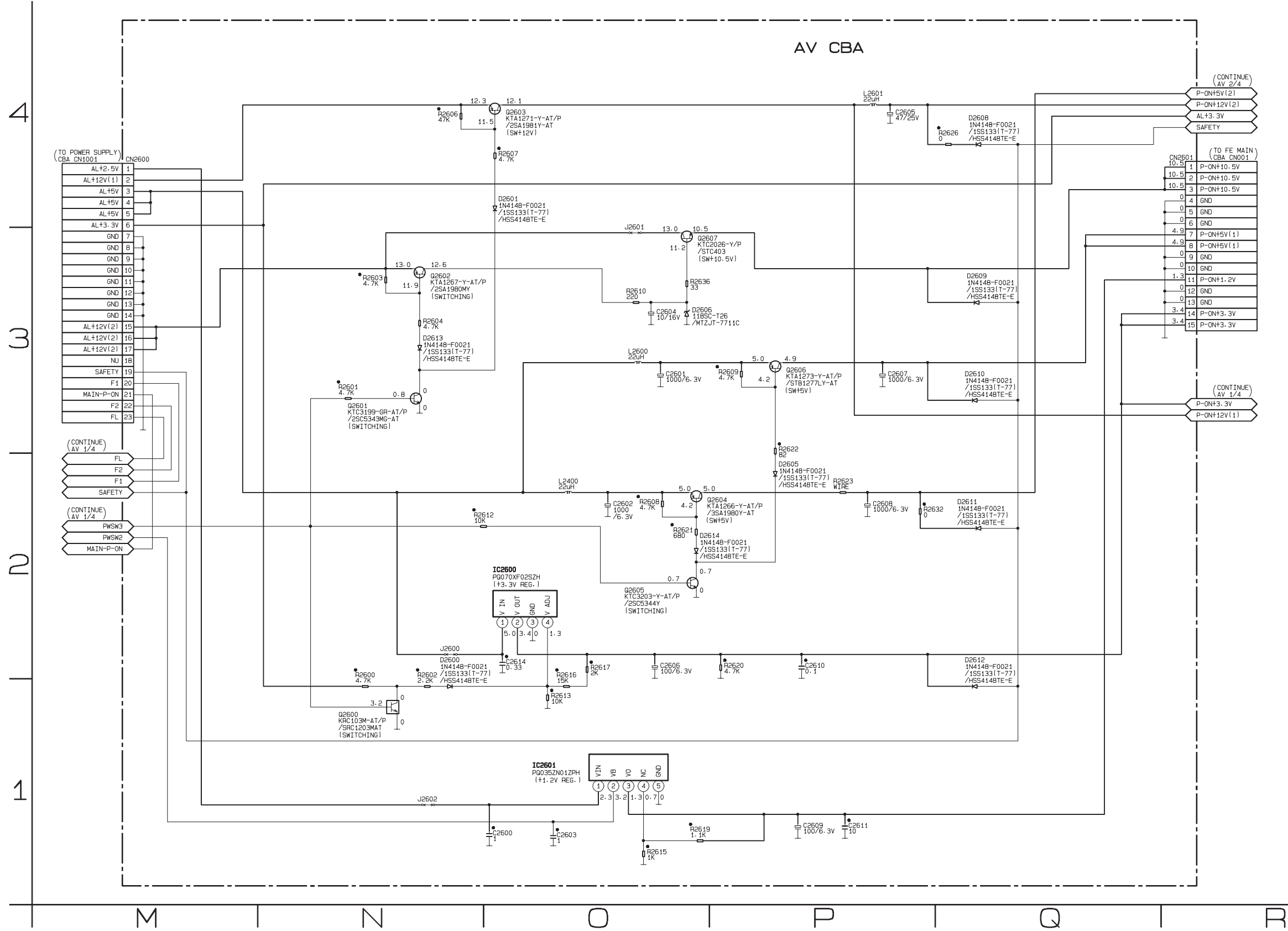
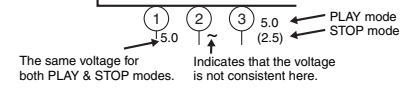
AV 3/4 Schematic Diagram Parts Location Guide

Ref No.	Position	Ref No.	Position
CAPACITORS		COILS	
C2600	O-1	L2601	P-4
C2601	O-3	TRANSISTORS	
C2602	O-2	Q2600	N-1
C2603	O-1	Q2601	N-3
C2604	O-3	Q2602	N-3
C2605	P-4	Q2603	O-4
C2606	O-2	Q2604	O-2
C2607	P-3	Q2605	O-2
C2608	P-2	Q2606	P-3
C2609	P-1	Q2607	O-3
C2610	P-2	RESISTORS	
C2611	P-1	R2600	N-2
C2614	O-2	R2601	N-3
CONNECTORS		R2602	N-2
CN2600	M-4	R2603	N-3
CN2601	R-4	R2604	N-3
DIODES		R2606	N-4
D2600	N-2	R2607	O-4
D2601	O-4	R2608	O-2
D2605	P-3	R2609	P-3
D2606	O-3	R2610	O-3
D2608	Q-4	R2612	N-2
D2609	Q-3	R2613	O-1
D2610	Q-3	R2615	O-1
D2611	Q-2	R2616	O-2
D2612	Q-2	R2617	O-2
D2613	N-3	R2619	O-1
D2614	O-2	R2620	P-2
ICS		R2621	O-2
IC2600	O-2	R2622	P-3
IC2601	O-1	R2623	P-2
COILS		R2626	Q-4
L2400	O-2	R2632	P-2
L2600	O-3	R2636	O-3

AV 3/4 Schematic Diagram

Voltage indications for PLAY and STOP modes on the Schematic Diagrams are as shown below:

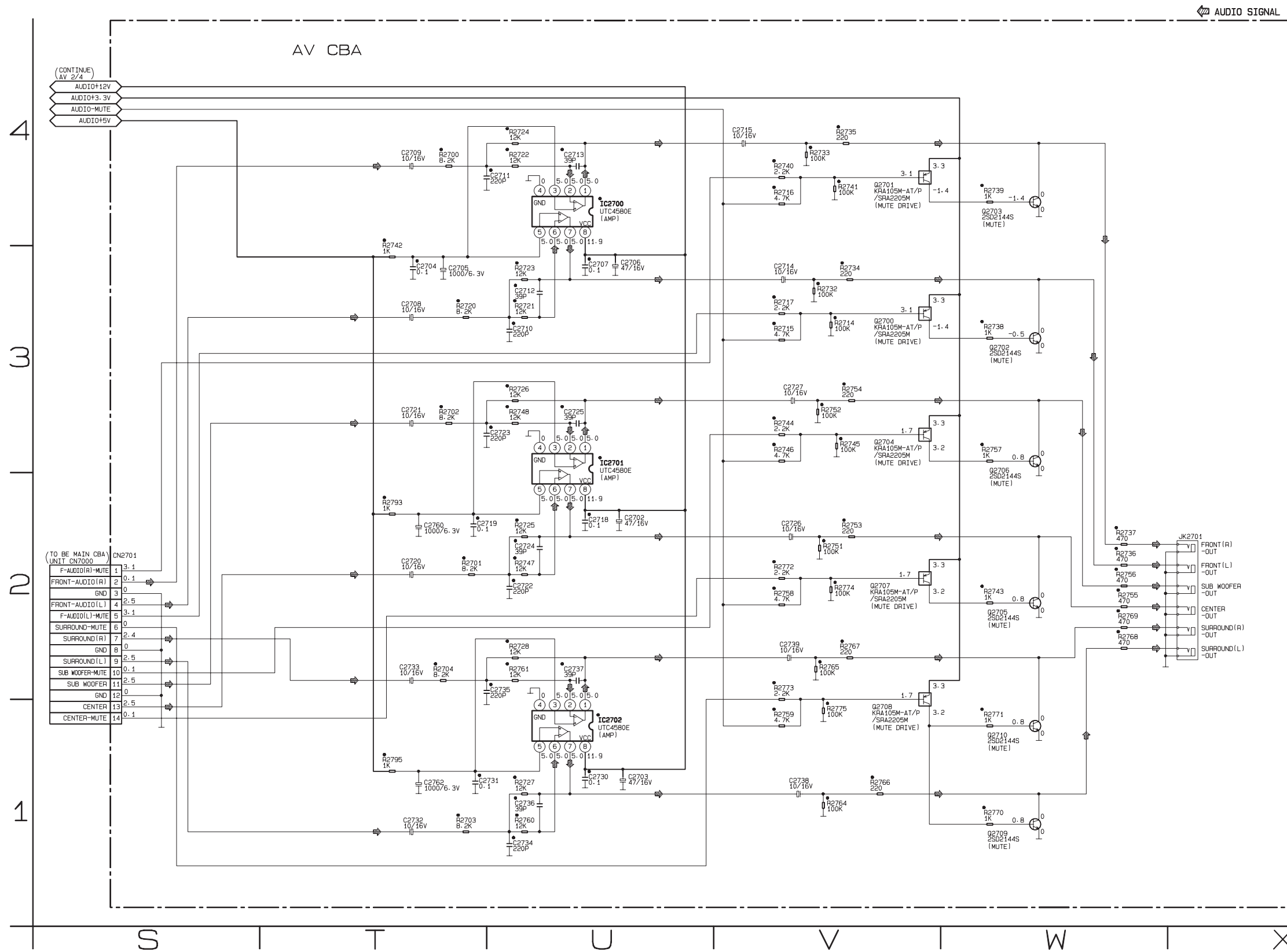
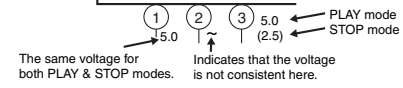
"●" = SMD



AV 4/4 Schematic Diagram

Voltage indications for PLAY and STOP modes on the Schematic Diagrams are as shown below:

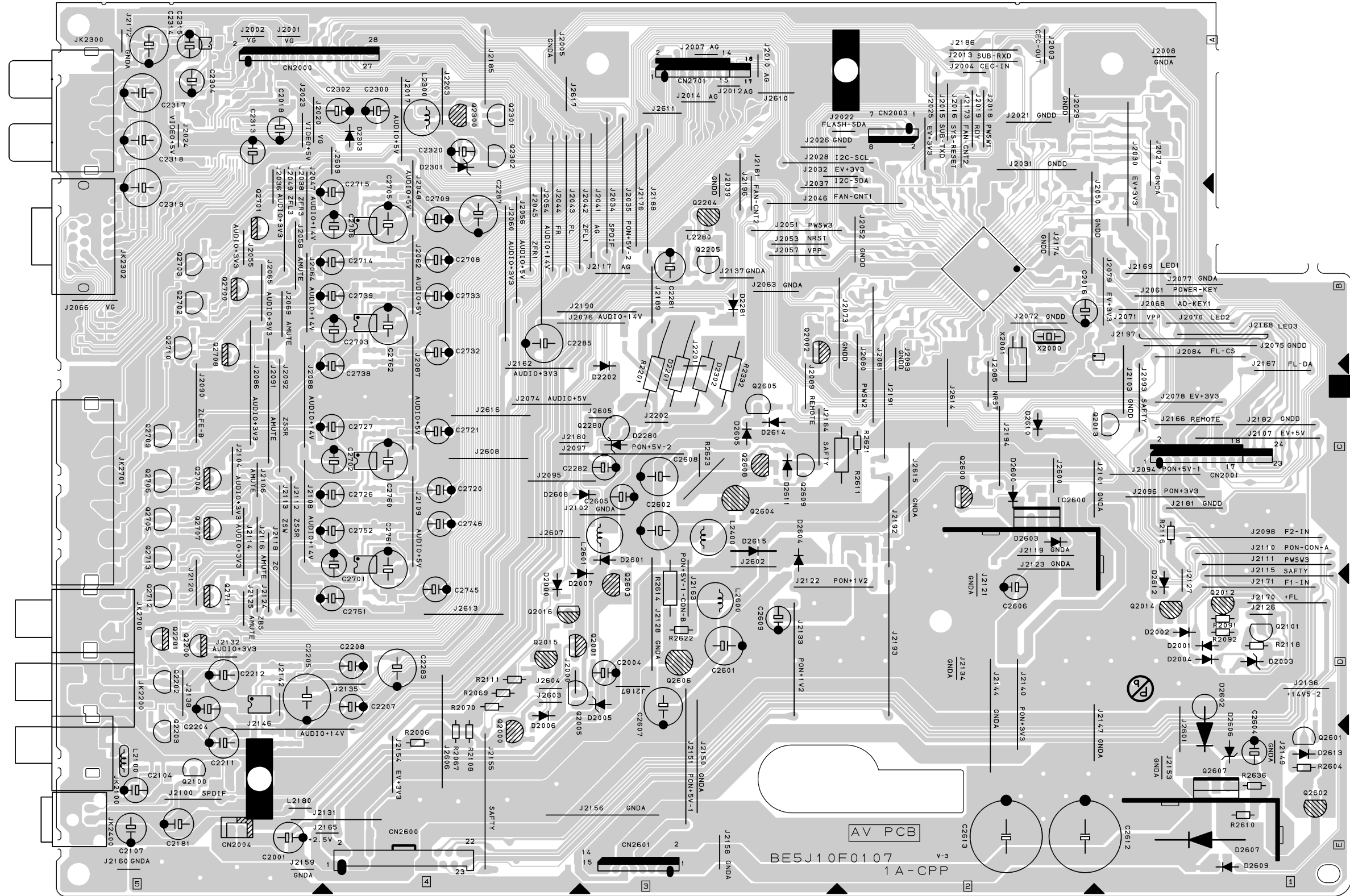
• = SMD



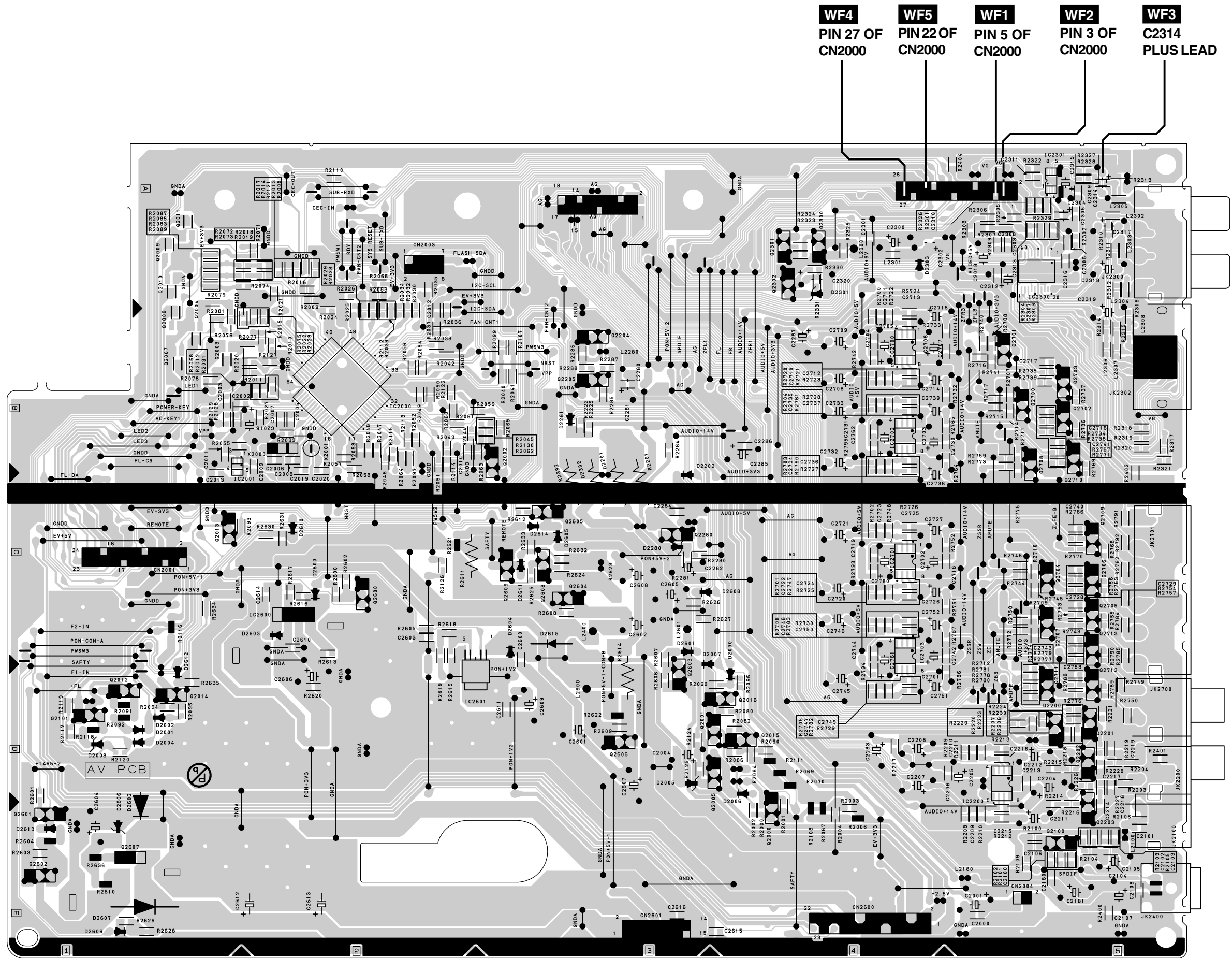
AV 4/4 Schematic Diagram Parts Location Guide

Ref No.	Position	Ref No.	Position
CAPACITORS			
C2702	U-2	R2704	T-2
C2703	U-1	R2714	V-3
C2704	T-3	R2715	V-3
C2705	T-3	R2716	V-4
C2706	U-3	R2717	V-3
C2707	U-3	R2720	T-3
C2708	T-3	R2721	U-3
C2709	T-4	R2722	U-4
C2710	U-3	R2723	U-3
C2711	U-4	R2724	U-4
C2712	U-3	R2725	U-2
C2713	U-4	R2726	U-3
C2714	V-3	R2727	U-1
C2715	V-4	R2728	U-2
C2718	U-2	R2732	V-3
C2719	T-2	R2733	V-4
C2720	T-2	R2734	V-3
C2721	T-3	R2735	V-4
C2722	U-2	R2736	W-2
C2723	U-3	R2737	W-2
C2724	U-2	R2738	W-3
C2725	U-3	R2739	W-4
C2726	V-2	R2740	V-4
C2727	V-3	R2741	V-4
C2730	U-1	R2742	T-3
C2731	T-1	R2743	W-2
C2732	T-1	R2744	V-3
C2733	T-2	R2745	V-3
C2734	U-1	R2746	V-3
C2735	U-2	R2747	U-2
C2736	U-1	R2748	U-3
C2737	U-2	R2751	V-2
C2738	V-1	R2752	V-3
C2739	V-2	R2753	V-2
C2760	T-2	R2754	V-3
C2762	T-1	R2755	W-2
CONNECTOR			
CN2701	S-2	R2756	W-2
ICs			
IC2700	U-4	R2758	V-2
IC2701	U-3	R2759	V-1
IC2702	U-1	R2760	U-1
TRANSISTORS			
Q2700	V-3	R2761	U-2
Q2701	V-4	R2764	V-1
Q2702	W-3	R2765	V-2
Q2703	W-4	R2766	W-2
Q2704	V-3	R2767	W-1
Q2705	W-2	R2768	W-2
Q2706	W-3	R2769	W-1
Q2707	V-2	R2770	V-2
Q2708	V-1	R2771	V-2
Q2709	W-1	R2772	V-2
Q2710	W-1	R2773	V-2
Q2711	W-1	R2774	V-2
Q2712	W-1	R2775	V-1
RESISTORS			
R2700	T-4	R2795	T-1
R2701	T-2	MISCELLANEOUS	
R2702	T-3	JK2701	X-2
R2703	T-1		

AV CBA Top View



AV CBA Bottom View



- WF4**
PIN 27 OF
CN2000
- WF5**
PIN 22 OF
CN2000
- WF1**
PIN 5 OF
CN2000
- WF2**
PIN 3 OF
CN2000
- WF3**
C2314
PLUS LEAD

AV CBA Parts Location Guide

Ref No.	Position	Ref No.	Position	Ref No.	Position	Ref No.	Position	Ref No.	Position	Ref No.	Position	Ref No.	Position	Ref No.	Position
CAPACITORS		CAPACITORS		CAPACITORS		COILS		RESISTORS		RESISTORS		RESISTORS		RESISTORS	
C2000	E-5	C2316	A-5	C2739	B-4	L2300	A-4	R2015	B-2	R2109	E-5	R2331	B-4	R2737	B-5
C2001	E-5	C2317	A-5	C2760	C-4	L2301	A-4	R2016	A-2	R2110	A-2	R2332	C-3	R2738	B-5
C2002	B-2	C2318	A-5	C2762	B-4	L2400	C-3	R2017	A-2	R2115	B-2	R2400	E-5	R2739	B-5
C2004	D-3	C2319	A-5	CONNECTORS		L2600	D-3	R2018	A-1	R2116	C-1	R2401	D-5	R2740	B-5
C2005	B-2	C2320	A-4	CN2000	A-5	L2601	C-3	R2019	A-1	R2117	D-1	R2402	C-5	R2741	B-5
C2007	B-2	C2600	C-3	CN2001	C-1	TRANSISTORS		R2020	B-1	R2118	D-1	R2600	C-2	R2742	B-4
C2009	C-2	C2601	D-3	CN2003	A-2	Q2000	E-4	R2021	B-2	R2124	D-3	R2601	D-1	R2743	C-5
C2011	B-1	C2602	C-3	CN2004	E-5	Q2001	D-3	R2022	B-2	R2125	D-3	R2602	C-2	R2744	C-5
C2012	B-2	C2603	C-2	CN2600	E-4	Q2003	B-1	R2023	B-2	R2126	C-2	R2603	E-1	R2745	C-5
C2013	C-1	C2604	E-1	CN2601	E-3	Q2005	D-4	R2024	B-2	R2127	B-2	R2604	E-1	R2746	C-5
C2016	B-2	C2605	C-3	CN2701	A-3	Q2012	D-1	R2025	B-2	R2129	B-1	R2606	D-3	R2747	C-4
C2018	A-5	C2606	D-2	DIODES		Q2013	C-1	R2026	A-2	R2130	B-3	R2607	C-3	R2748	C-4
C2019	C-2	C2607	D-3	D2000	C-4	Q2014	D-1	R2028	A-2	R2201	B-3	R2608	C-3	R2751	C-5
C2100	E-5	C2608	C-3	D2001	D-1	Q2100	E-5	R2029	A-2	R2208	E-5	R2609	D-3	R2752	C-5
C2104	E-5	C2609	D-3	D2002	D-1	Q2101	D-1	R2030	A-2	R2209	D-5	R2610	E-1	R2753	C-5
C2106	E-5	C2610	C-2	D2003	D-1	Q2200	D-5	R2031	B-1	R2210	E-5	R2612	C-3	R2754	C-5
C2107	E-5	C2611	D-3	D2004	D-1	Q2201	D-5	R2032	A-2	R2211	D-5	R2613	C-2	R2755	C-5
C2108	E-5	C2614	C-2	D2005	D-3	Q2202	D-5	R2033	B-2	R2212	E-5	R2615	D-2	R2756	C-5
C2180	E-5	C2702	C-4	D2006	D-4	Q2203	E-5	R2034	A-2	R2213	D-5	R2616	C-2	R2757	C-5
C2181	E-5	C2703	B-4	D2007	C-3	Q2204	B-3	R2035	A-2	R2214	D-5	R2617	C-2	R2758	C-5
C2204	D-5	C2704	B-4	D2201	B-3	Q2205	B-3	R2036	B-2	R2215	D-5	R2619	D-2	R2759	B-5
C2205	D-5	C2705	B-4	D2202	B-3	Q2280	C-3	R2037	B-2	R2216	E-5	R2620	D-2	R2760	B-4
C2206	D-5	C2706	B-4	D2280	C-3	Q2300	A-4	R2038	B-2	R2217	D-4	R2621	C-2	R2761	B-4
C2207	D-4	C2707	B-4	D2301	A-4	Q2301	A-4	R2043	B-2	R2218	D-5	R2622	D-3	R2764	C-5
C2208	D-4	C2708	B-4	D2302	C-3	Q2302	A-4	R2044	B-2	R2219	D-5	R2623	C-3	R2765	B-5
C2209	E-5	C2709	B-4	D2600	C-2	Q2600	C-2	R2045	B-3	R2220	D-5	R2626	C-3	R2766	C-5
C2210	D-5	C2710	B-4	D2601	C-3	Q2601	E-1	R2047	B-2	R2221	D-5	R2632	C-3	R2767	B-5
C2211	E-5	C2711	A-4	D2605	C-3	Q2602	E-1	R2048	B-2	R2223	D-5	R2636	E-1	R2768	C-5
C2212	D-5	C2712	B-4	D2606	E-1	Q2603	D-3	R2049	B-2	R2224	D-5	R2700	A-4	R2769	B-5
C2213	D-5	C2713	A-4	D2608	C-4	Q2604	C-3	R2050	B-2	R2226	D-5	R2701	C-4	R2770	C-5
C2215	E-5	C2714	B-4	D2609	E-1	Q2605	C-3	R2052	B-2	R2227	E-5	R2702	C-4	R2771	B-5
C2216	D-5	C2715	B-4	D2610	C-2	Q2606	D-3	R2053	B-2	R2228	D-5	R2703	B-4	R2772	C-5
C2280	B-3	C2718	C-5	D2611	C-3	Q2607	E-1	R2055	B-1	R2229	D-5	R2704	B-4	R2773	B-5
C2281	B-3	C2719	C-4	D2612	D-1	Q2700	B-5	R2057	B-2	R2230	D-5	R2714	B-5	R2774	C-5
C2282	C-3	C2720	C-4	D2613	E-1	Q2701	B-5	R2058	C-2	R2280	C-3	R2715	B-5	R2775	C-5
C2283	D-4	C2721	C-4	D2614	C-3	Q2702	B-5	R2059	B-3	R2281	C-3	R2716	B-5	R2793	C-4
C2284	C-3	C2722	C-4	ICS		Q2703	B-5	R2067	E-4	R2284	B-3	R2717	B-5	R2795	B-4
C2285	B-4	C2723	C-4	IC2000	B-2	Q2704	C-5	R2068	B-1	R2285	B-3	R2720	B-4	CRYSTAL OSCILLATOR	
C2286	B-4	C2724	C-4	IC2001	C-1	Q2705	C-5	R2078	B-1	R2286	B-3	R2721	B-4	X2000	B-2
C2287	B-4	C2725	C-4	IC2200	D-5	Q2706	C-5	R2091	D-1	R2287	B-3	R2722	A-4	MISCELLANEOUS	
C2300	A-4	C2726	C-4	IC2300	A-5	Q2707	C-5	R2092	D-1	R2288	B-3	R2723	B-4	JK2100	E-5
C2301	A-4	C2727	C-4	IC2301	A-5	Q2708	B-5	R2094	D-1	R2308	A-5	R2724	A-4	JK2200	D-5
C2303	A-5	C2730	B-5	IC2600	C-2	Q2709	C-5	R2095	D-1	R2309	A-5	R2725	C-4	JK2300	A-5
C2304	A-5	C2731	B-4	IC2601	D-2	Q2710	C-5	R2096	D-4	R2310	A-5	R2726	C-4	JK2400	E-5
C2305	A-5	C2732	B-4	IC2700	B-4	RESISTORS		R2099	B-3	R2311	A-5	R2727	B-4	JK2701	C-5
C2309	A-5	C2733	B-4	IC2701	C-4	R2000	E-4	R2100	E-5	R2312	A-5	R2728	B-4		
C2311	A-5	C2734	B-4	IC2702	B-4	R2002	E-4	R2101	E-5	R2313	A-5	R2732	B-5		
C2312	A-5	C2735	B-4	COILS		R2005	A-2	R2102	E-5	R2323	A-4	R2733	B-4		
C2313	A-5	C2736	B-4	L2100	E-5	R2006	E-4	R2103	E-5	R2324	A-4	R2734	B-5		
C2314	A-5	C2737	B-4	L2180	E-5	R2012	B-1	R2104	E-5	R2328	A-5	R2735	B-5		
C2315	A-5	C2738	C-4	L2280	B-3	R2014	A-2	R2105	E-5	R2330	A-4	R2736	B-5		

Power Supply Schematic Diagram

CAUTION !

Fixed voltage (or Auto voltage selectable) power supply circuit is used in this unit.
If Main Fuse (F1001) is blown, check to see that all components in the power supply circuit are not defective before you connect the AC plug to the AC power supply.
Otherwise it may cause some components in the power supply circuit to fail.

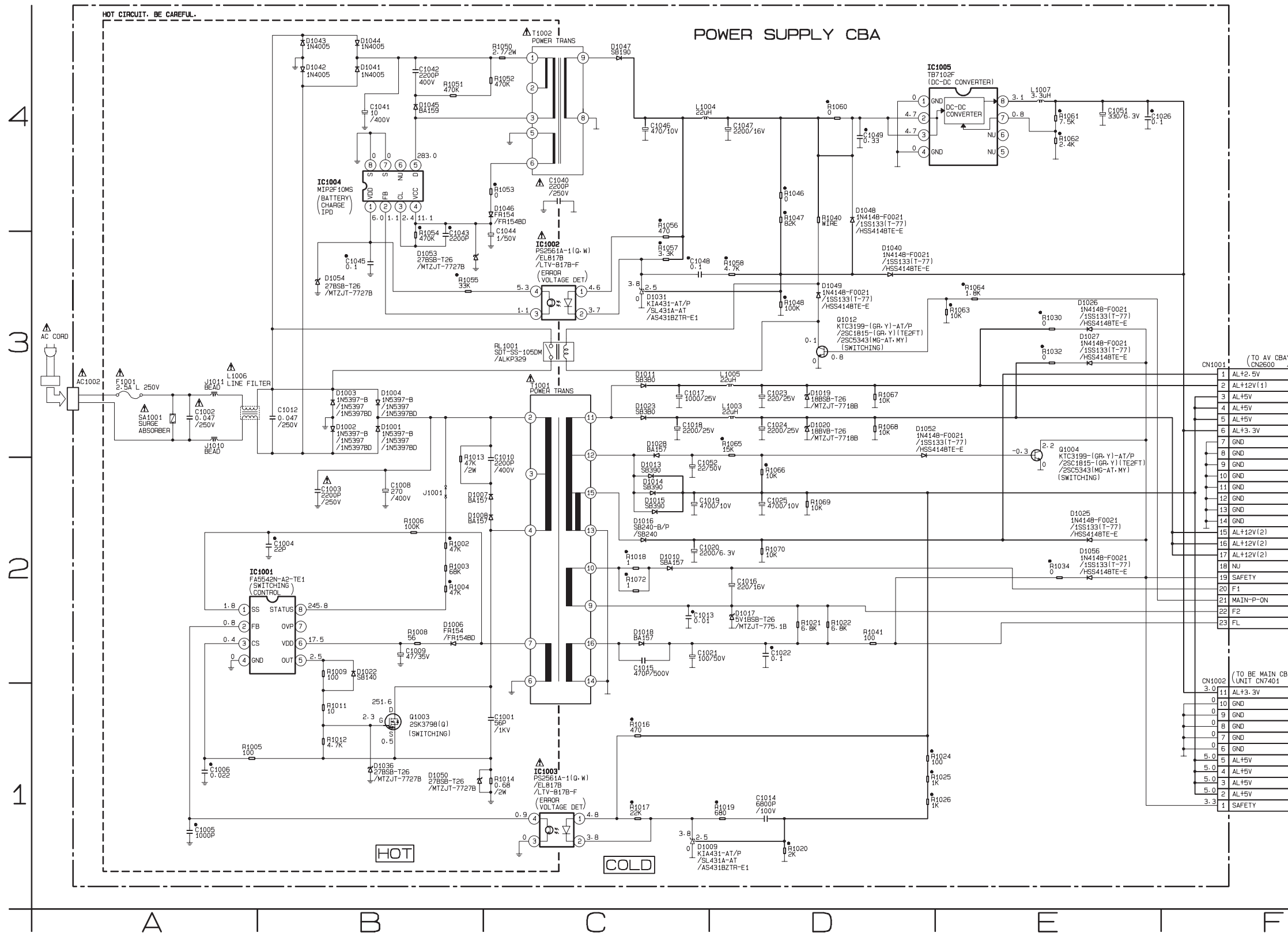
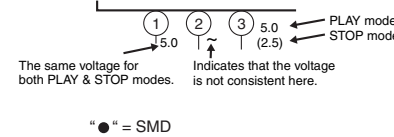
CAUTION !

For continued protection against fire hazard, replace only with the same type fuse.

NOTE:

The voltage for parts in hot circuit is measured using hot GND as a common terminal.

Voltage indications for PLAY and STOP modes on the Schematic Diagrams are as shown below:



Power Supply Schematic Diagram Parts Location Guide

Ref No.	Position	Ref No.	Position
CAPACITORS		DIODES	
C1001	C-1	D1054	B-3
C1002	A-3	D1056	E-2
C1003	B-2	ICS	
C1004	B-2	IC1001!	B-2
C1005	A-1	IC1002!	C-3
C1006	A-1	IC1003!	C-1
C1008	B-2	IC1004	B-4
C1009	B-2	IC1005	E-4
C1010	C-2	COILS	
C1012	B-3	L1003	D-3
C1013	C-2	L1004	C-4
C1014	D-1	L1005	D-3
C1015	C-2	L1006	A-3
C1016	D-2	L1007	E-4
C1017	C-3	TRANSISTORS	
C1018	C-3	Q1003	B-1
C1019	C-2	Q1004	E-3
C1020	C-2	Q1012	D-3
C1021	C-2	RESISTORS	
C1022	D-2	R1002	B-2
C1023	D-3	R1003	B-2
C1024	D-3	R1004	B-2
C1025	D-2	R1005	A-1
C1026	E-4	R1006	B-2
C1040	C-4	R1008	B-2
C1041	B-4	R1009	B-2
C1042	B-4	R1011	B-1
C1043	B-4	R1012	B-1
C1044	C-3	R1013	B-2
C1045	B-3	R1014	C-1
C1046	C-4	R1016	C-1
C1047	D-4	R1017	C-1
C1048	C-3	R1018	C-2
C1049	D-4	R1019	D-1
C1051	E-4	R1020	D-1
C1052	C-2	R1021	D-2
CONNECTORS		R1022	D-2
CN1001	F-3	R1024	D-1
CN1002	F-2	R1025	D-1
DIODES		R1026	D-1
D1001	B-3	R1030	E-3
D1002	B-3	R1032	E-3
D1003	B-3	R1034	E-2
D1004	B-3	R1040	D-4
D1006	B-2	R1041	D-2
D1007	B-2	R1046	D-4
D1008	B-2	R1047	D-4
D1009	C-1	R1048	D-3
D1010	C-2	R1050	C-4
D1011	C-3	R1051	B-4
D1013	C-2	R1052	C-4
D1014	C-2	R1053	C-4
D1015	C-2	R1054	B-3
D1016	C-2	R1055	B-3
D1017	D-2	R1056	C-4
D1018	C-2	R1057	C-3
D1019	D-3	R1058	D-3
D1020	D-3	R1060	D-4
D1022	B-2	R1061	E-4
D1023	C-3	R1062	E-4
D1025	E-2	R1063	E-3
D1026	E-3	R1064	E-3
D1027	E-3	R1065	D-3
D1028	C-3	R1066	D-2
D1031	C-3	R1067	D-3
D1036	B-1	R1068	D-3
D1040	D-3	R1069	D-2
D1041	B-4	R1070	D-2
D1042	B-4	R1072	C-2
D1043	B-4	MISCELLANEOUS	
D1044	B-4	AC1002	A-3
D1045	B-4	F1001	A-3
D1046	C-4	J1010	A-3
D1047	C-4	J1011	A-3
D1048	D-4	RL1001	C-3
D1049	D-3	SA1001	A-3
D1050	B-1	T1001	C-3
D1052	D-3	T1002	C-4
D1053	B-3		

Power Supply CBA Top/Bottom View

Power Supply CBA Parts Location Guide

Ref No.	Position	Ref No.	Position	Ref No.	Position	Ref No.	Position	Ref No.	Position	Ref No.	Position
CAPACITORS		CAPACITORS		DIODES		ICS		RESISTORS		RESISTORS	
C1001	B-1	C1043	B-2	D1017	B-2	IC1001	C-2	R1016	B-2	R1060	B-2
C1002	C-1	C1044	B-2	D1018	B-1	IC1002	B-2	R1017	B-2	R1061	A-2
C1003	B-1	C1045	B-2	D1019	A-2	IC1003	B-2	R1018	B-2	R1062	A-2
C1004	B-2	C1046	B-2	D1020	A-2	IC1004	C-2	R1019	A-2	R1063	A-2
C1005	B-2	C1047	B-2	D1022	C-2	IC1005	A-2	R1020	A-2	R1064	A-2
C1006	B-2	C1048	B-2	D1023	B-2	COILS		R1021	A-2	R1065	A-1
C1008	C-1	C1049	B-2	D1025	A-1	L1003	B-2	R1022	A-2	R1066	A-1
C1009	B-2	C1051	A-2	D1026	A-1	L1004	B-2	R1024	A-2	R1067	A-2
C1010	C-1	C1052	A-1	D1027	A-2	L1005	A-2	R1025	A-2	R1068	A-2
C1012	C-2	CONNECTORS		D1028	B-2	L1006	C-2	R1026	A-2	R1069	A-2
C1013	B-2	CN1001	A-2	D1031	B-2	L1007	A-2	R1030	A-1	R1070	A-1
C1014	A-2	CN1002	A-2	D1036	B-1	TRANSISTORS		R1032	A-2	R1072	B-2
C1015	B-1	DIODES		D1040	A-2	Q1003	B-1	R1034	A-1	MISCELLANEOUS	
C1016	B-2	D1001	C-2	D1041	C-2	Q1004	A-1	R1040	A-2	AC1002	C-1
C1017	B-2	D1002	C-2	D1042	C-2	Q1012	A-2	R1041	A-1	F1001	C-1
C1018	B-2	D1003	C-2	D1043	C-2	RESISTORS		R1046	B-2	J1010	C-1
C1019	A-1	D1004	C-2	D1044	C-2	R1002	C-2	R1047	B-2	J1011	C-1
C1020	B-1	D1006	B-2	D1045	C-2	R1003	C-2	R1048	B-2	RL1001	C-2
C1021	B-1	D1007	B-1	D1046	B-2	R1004	C-2	R1050	C-2	SA1001	C-1
C1022	B-1	D1008	B-1	D1047	B-2	R1005	B-2	R1051	C-2	T1001	B-2
C1023	A-2	D1009	A-2	D1048	B-2	R1006	B-2	R1052	C-2	T1002	B-2
C1024	A-2	D1010	B-2	D1049	A-2	R1008	B-2	R1053	B-2		
C1025	A-2	D1011	B-2	D1050	C-2	R1009	C-2	R1054	B-2		
C1026	A-2	D1013	B-1	D1052	A-1	R1011	C-2	R1055	B-2		
C1040	C-3	D1014	B-1	D1053	B-2	R1012	B-1	R1056	B-2		
C1041	C-2	D1015	B-1	D1054	B-2	R1013	B-1	R1057	B-2		
C1042	C-2	D1016	B-1	D1056	A-1	R1014	C-2	R1058	B-2		

CAUTION !

Fixed voltage (or Auto voltage selectable) power supply circuit is used in this unit. If Main Fuse (F1001) is blown, check to see that all components in the power supply circuit are not defective before you connect the AC plug to the AC power supply. Otherwise it may cause some components in the power supply circuit to fail.

CAUTION !

For continued protection against fire hazard, replace only with the same type fuse.

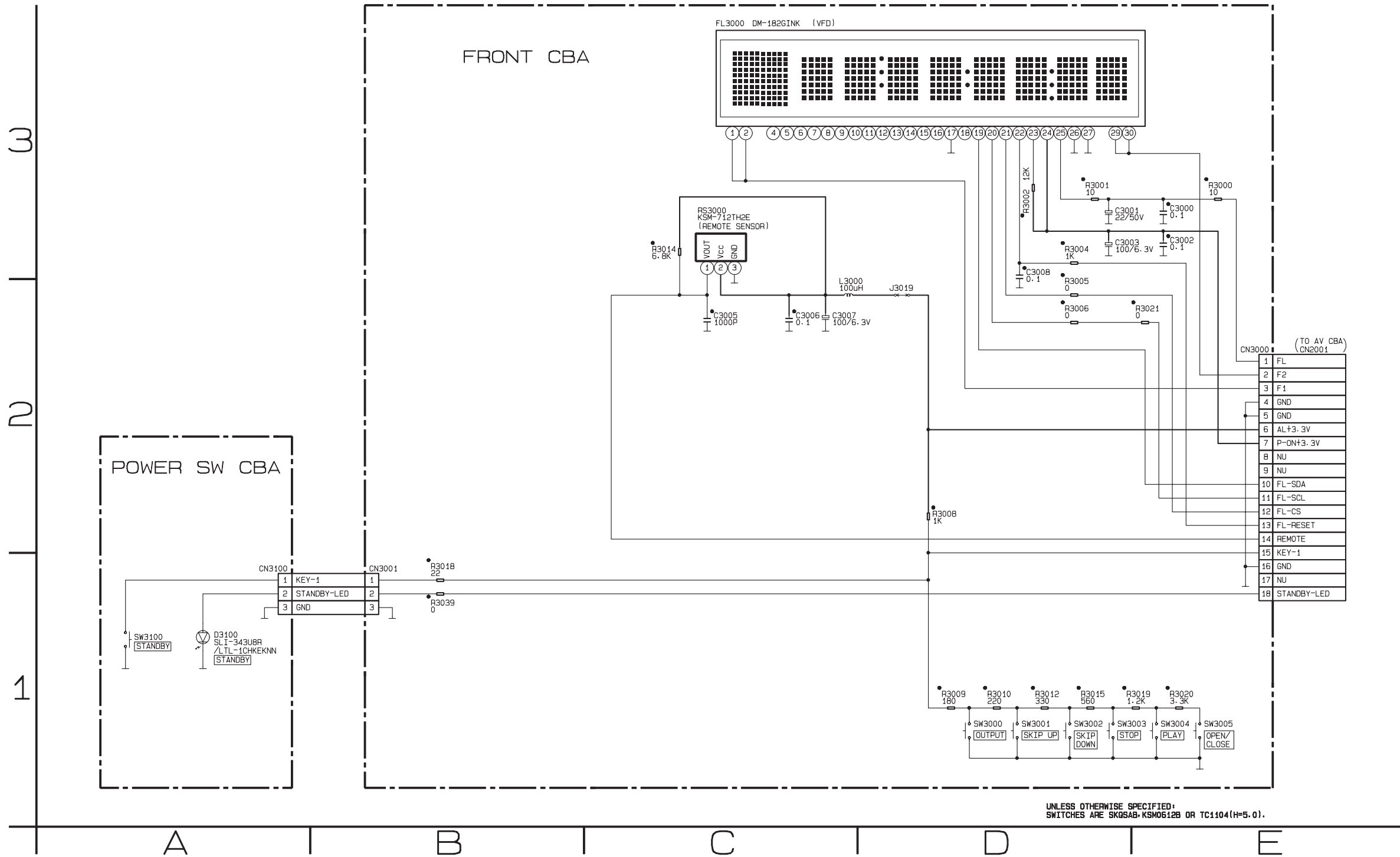
NOTE:

The voltage for parts in hot circuit is measured using hot GND as a common terminal.



Front & Power SW Schematic Diagram

•• = SMD

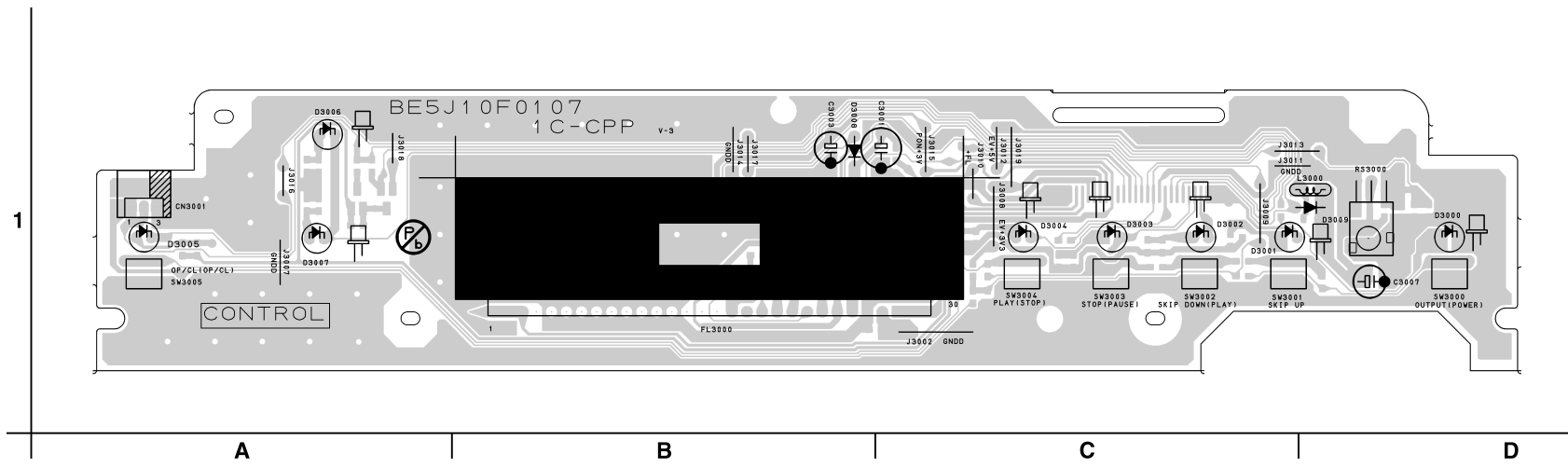


UNLESS OTHERWISE SPECIFIED:
SWITCHES ARE SK08AB, KSM0612B OR TC1104(H=5.0).

Front Schematic Diagram

Ref No.	Position
CAPACITORS	
C3000	E-3
C3001	D-3
C3002	E-3
C3003	D-3
C3005	C-2
C3006	C-2
C3007	C-2
C3008	D-3
CONNECTORS	
CN3000	E-2
CN3001	B-1
COIL	
L3000	C-2
RESISTORS	
R3000	E-3
R3001	D-3
R3002	D-3
R3004	D-3
R3005	D-2
R3006	D-2
R3008	D-2
R3009	D-1
R3010	D-1
R3012	D-1
R3014	C-3
R3015	D-1
R3018	B-1
R3019	E-1
R3020	E-1
R3021	E-2
R3039	B-1
SWITCHES	
SW3000	D-1
SW3001	D-1
SW3002	D-1
SW3003	D-1
SW3004	E-1
SW3005	E-1
MISCELLANEOUS	
FL3000	C-3
RS3000	C-3

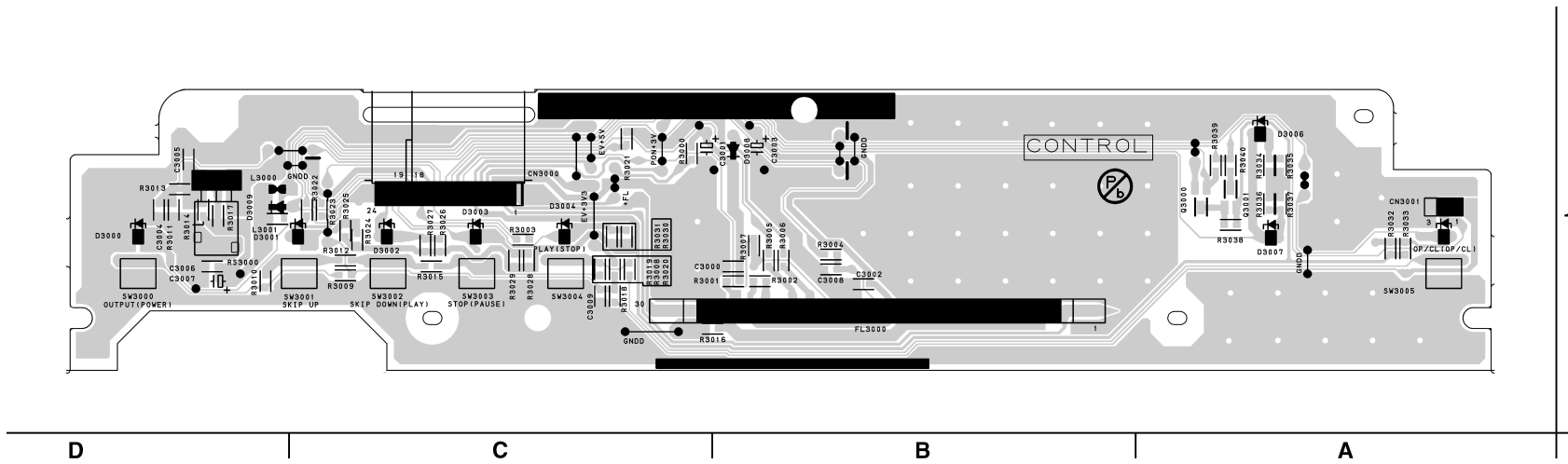
Front CBA Top View



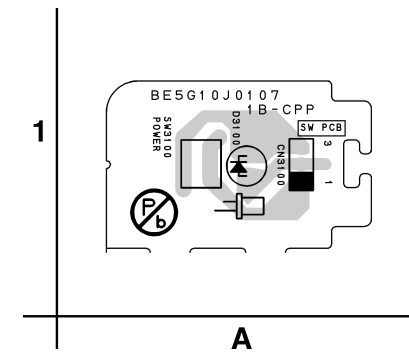
Front CBA Parts Location Guide

Ref No.	Position	Ref No.	Position
CAPACITORS		RESISTORS	
C3000	B-1	R3009	C-1
C3001	B-1	R3010	D-1
C3002	B-1	R3012	C-1
C3003	B-1	R3014	D-1
C3005	D-1	R3015	C-1
C3006	D-1	R3018	C-1
C3007	D-1	R3019	C-1
C3008	B-1	R3020	C-1
CONNECTORS		R3021	C-1
CN3000	C-1	R3039	A-1
CN3001	A-1	SWITCHES	
COIL		SW3000	D-1
L3000	D-1	SW3001	C-1
RESISTORS		SW3002	C-1
R3000	C-1	SW3003	C-1
R3001	B-1	SW3004	C-1
R3002	B-1	SW3005	A-1
R3004	B-1	MISCELLANEOUS	
R3005	B-1	FL3000	B-1
R3006	B-1	RS3000	D-1
R3008	C-1		

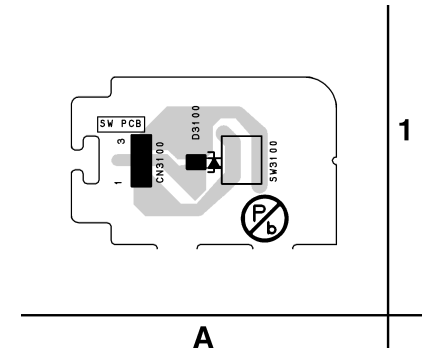
Front CBA Bottom View



Power SW CBA Top View



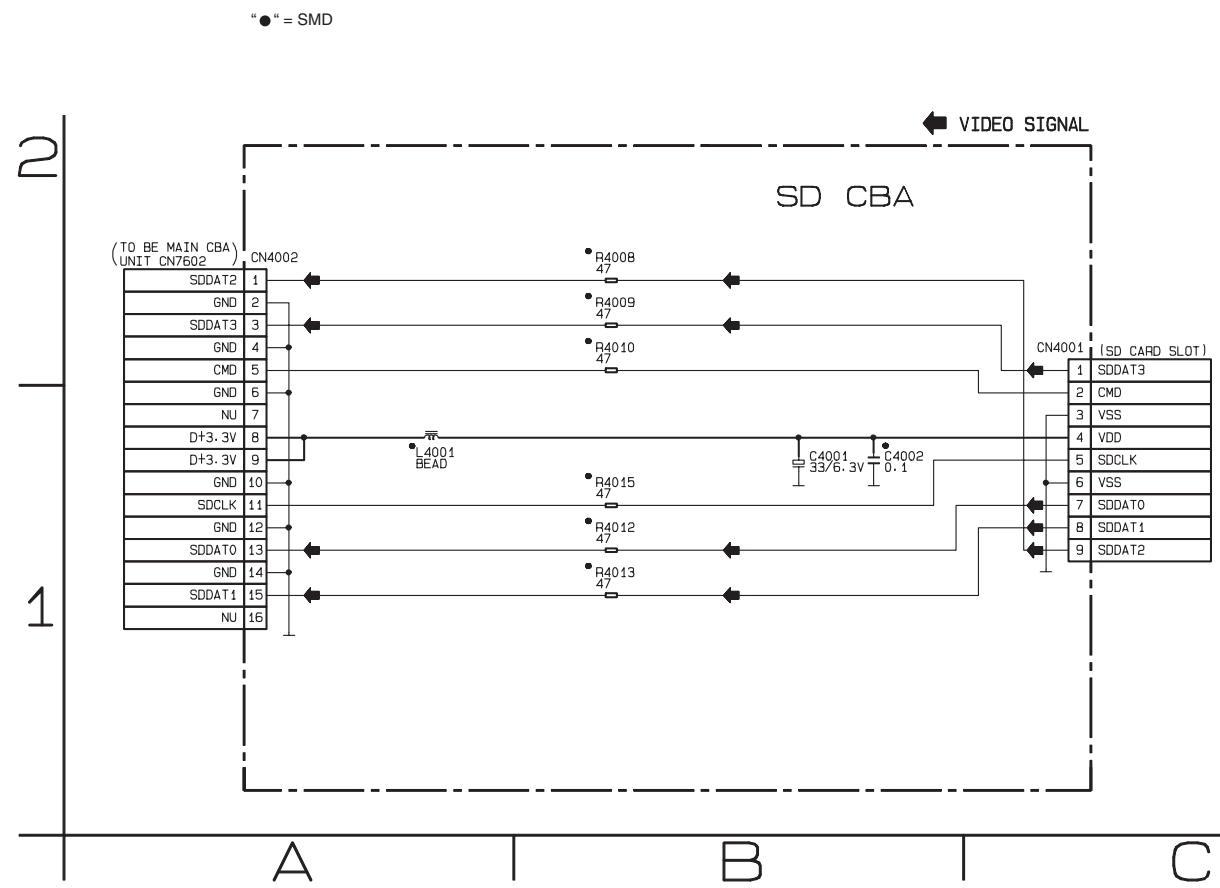
Power SW CBA Bottom View



BE5J10F01071C

BE5J10F01071B

SD Schematic Diagram

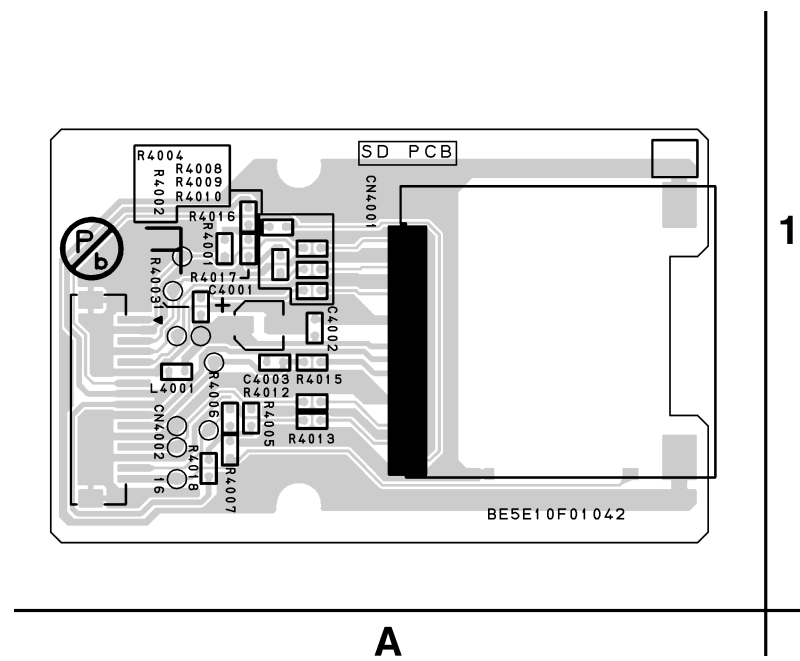


SD Schematic Diagram
Parts Location Guide

Ref No.	Position
CAPACITORS	
C4001	B-1
C4002	B-1
CONNECTORS	
CN4001	C-2
CN4002	A-2
COIL	
L4001	A-1
RESISTORS	
R4008	B-2
R4009	B-2
R4010	B-2
R4012	B-1
R4013	B-1
R4015	B-1

E5E10SCSD

SD CBA Bottom View

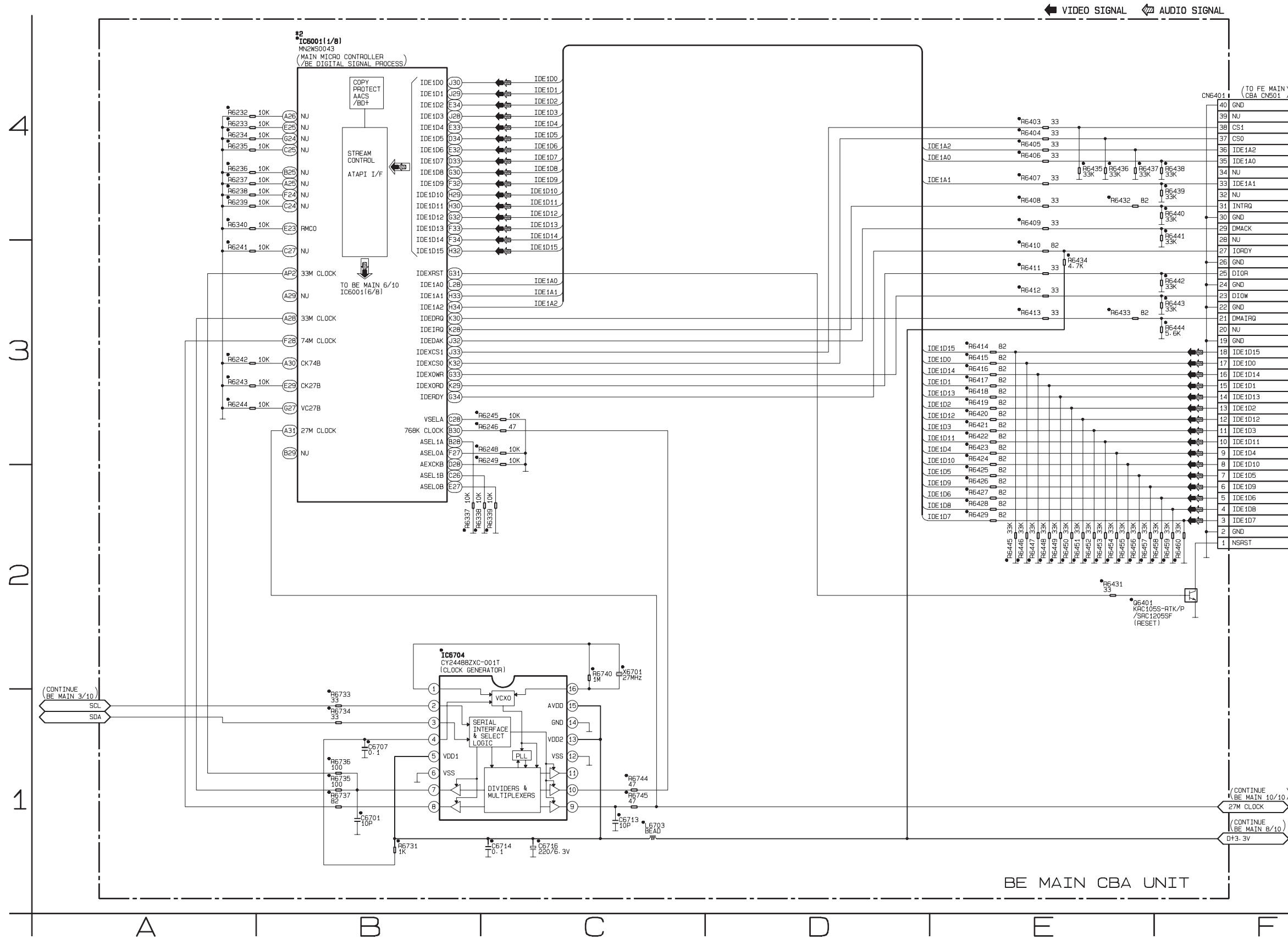


BESE10F01042

BE Main 1/10 Schematic Diagram

● = SMD

***2 NOTE:**
 The order of pins shown in this diagram is different from that of actual IC6001.
 IC6001 is divided into eight and shown as IC6001 (1/8) ~ IC6001 (8/8) in this BE Main Schematic Diagram Section.

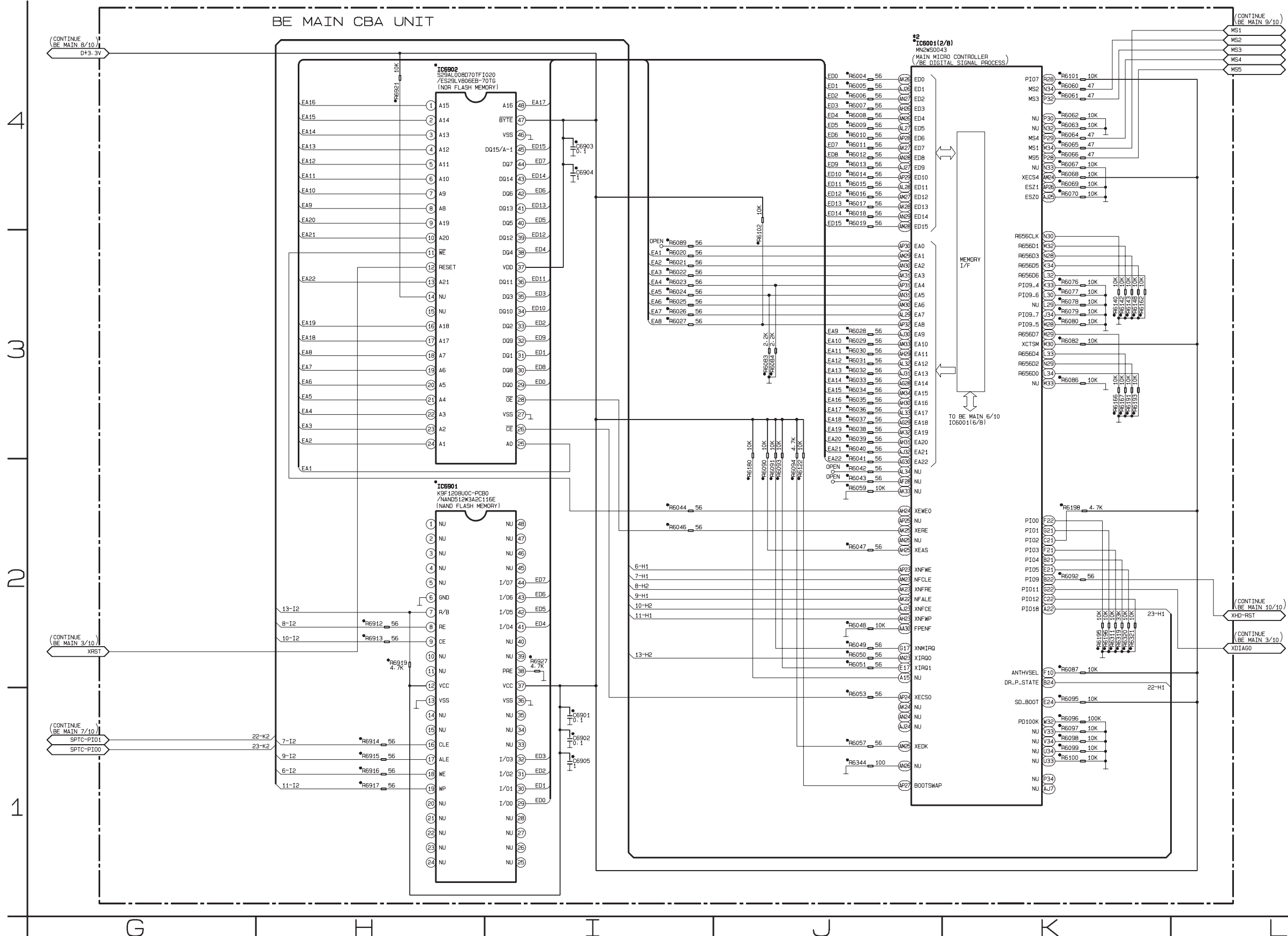


BE Main 2/10 Schematic Diagram

*2 NOTE:

The order of pins shown in this diagram is different from that of actual IC6001.
 IC6001 is divided into eight and shown as IC6001(1/8) ~ IC6001(8/8) in this BE Main Schematic Diagram Section.

● = SMD

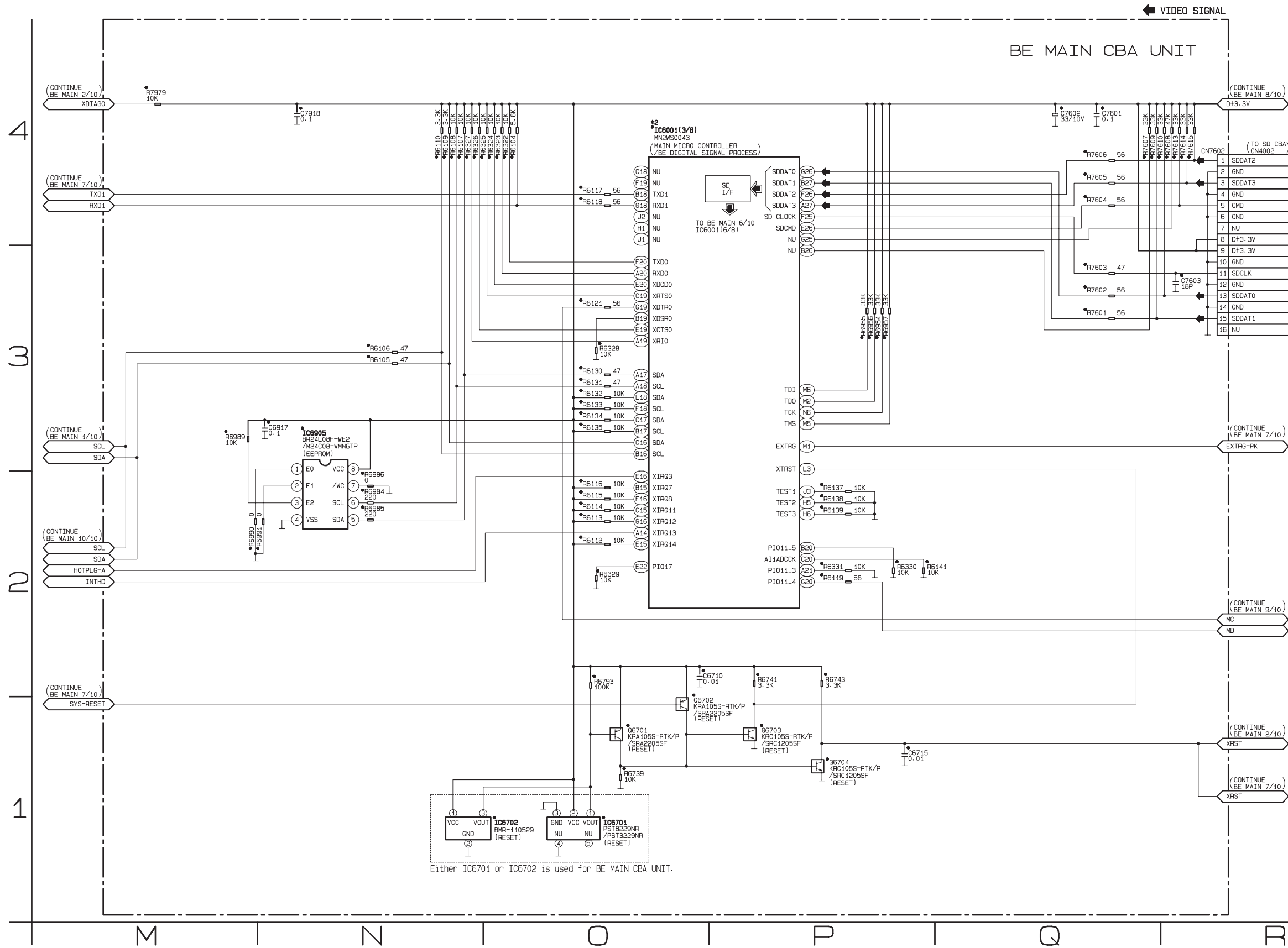


BE Main 3/10 Schematic Diagram

*2 NOTE:

The order of pins shown in this diagram is different from that of actual IC6001.
IC6001 is divided into eight and shown as IC6001 (1/8) ~ IC6001 (8/8) in this BE Main Schematic Diagram Section.

"●" = SMD

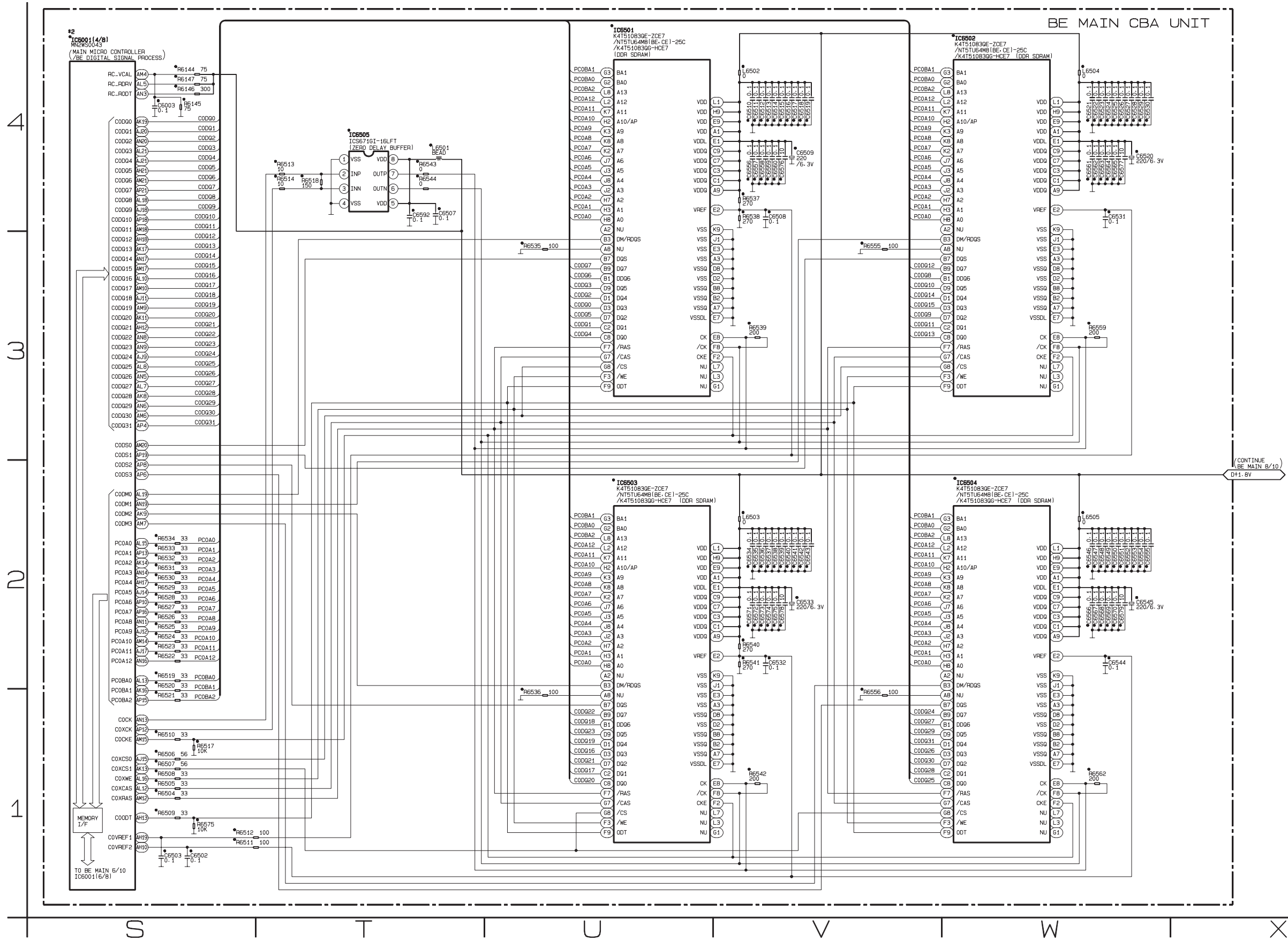


BE Main 4/10 Schematic Diagram

● = SMD

***2 NOTE:**

The order of pins shown in this diagram is different from that of actual IC6001.
IC6001 is divided into eight and shown as IC6001 (1/8) ~ IC6001 (8/8) in this BE Main Schematic Diagram Section.



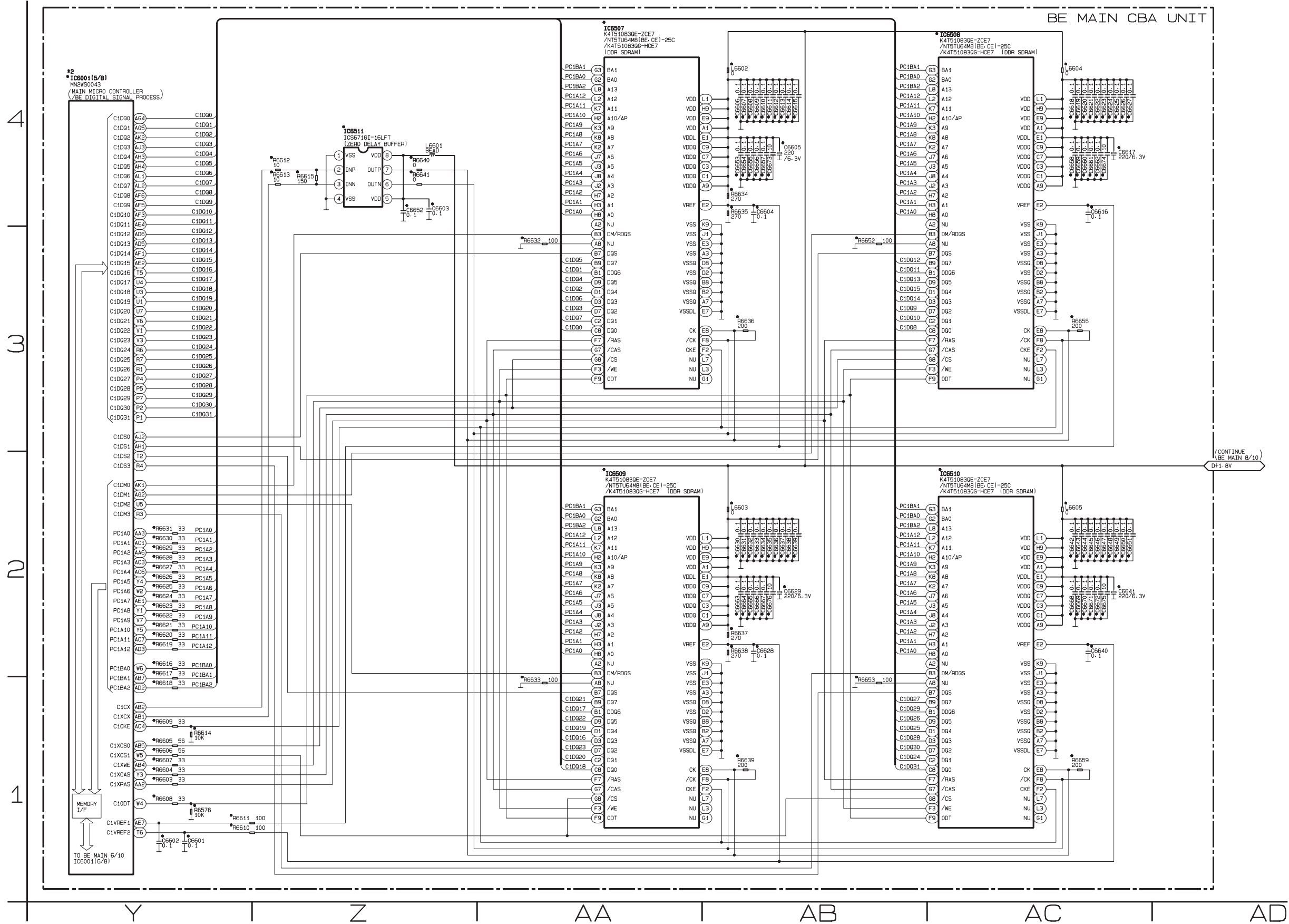
(CONTINUE)
BE MAIN 8/10
D11.8V

BE Main 5/10 Schematic Diagram

● = SMD

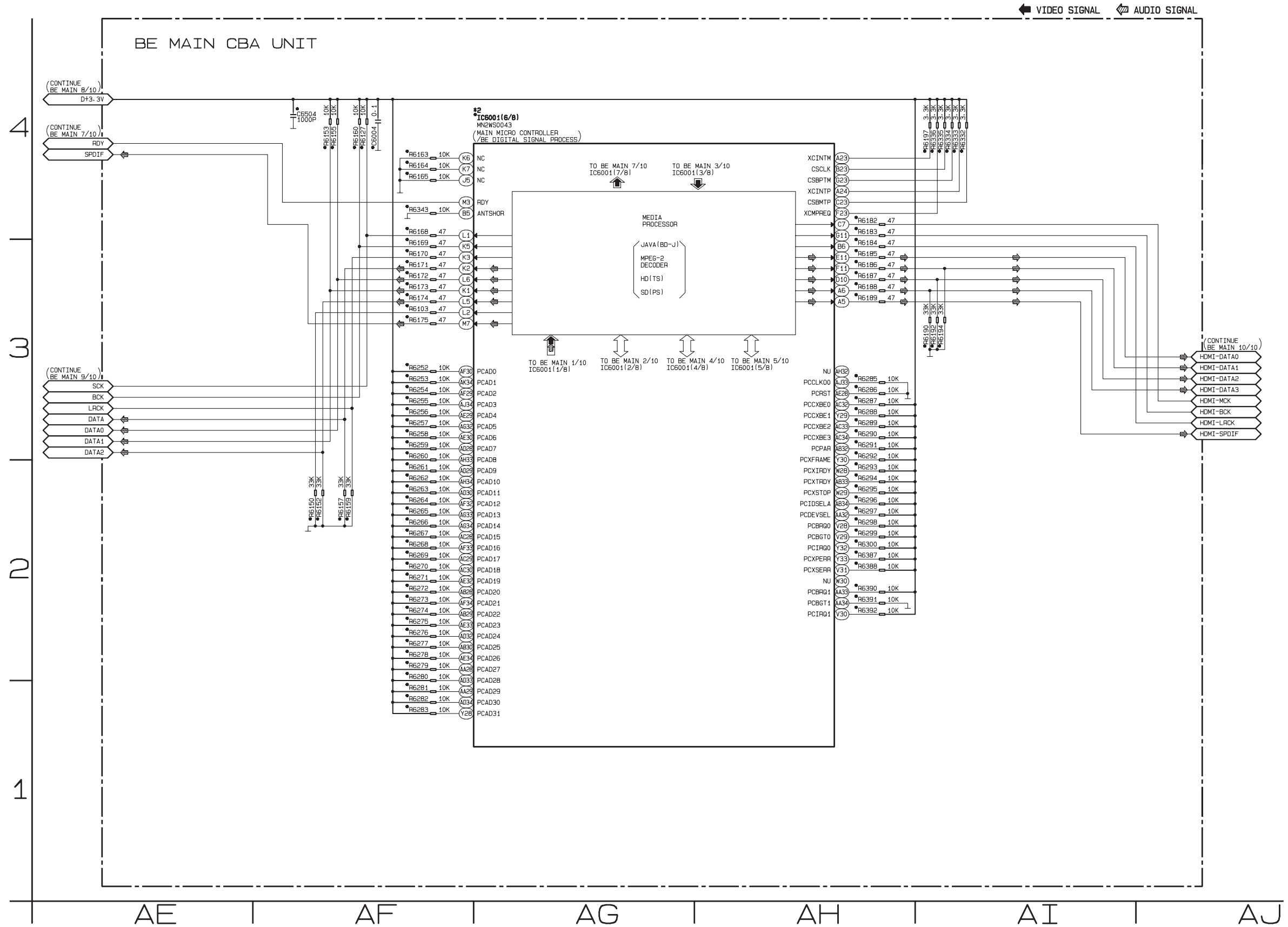
***2 NOTE:**

The order of pins shown in this diagram is different from that of actual IC6001.
IC6001 is divided into eight and shown as IC6001 (1/8) ~ IC6001 (8/8) in this BE Main Schematic Diagram Section.



BE Main 6/10 Schematic Diagram

*2 NOTE:
 The order of pins shown in this diagram is different from that of actual IC6001.
 IC6001 is divided into eight and shown as IC6001 (1/8) ~ IC6001 (8/8) in this BE Main Schematic Diagram Section.

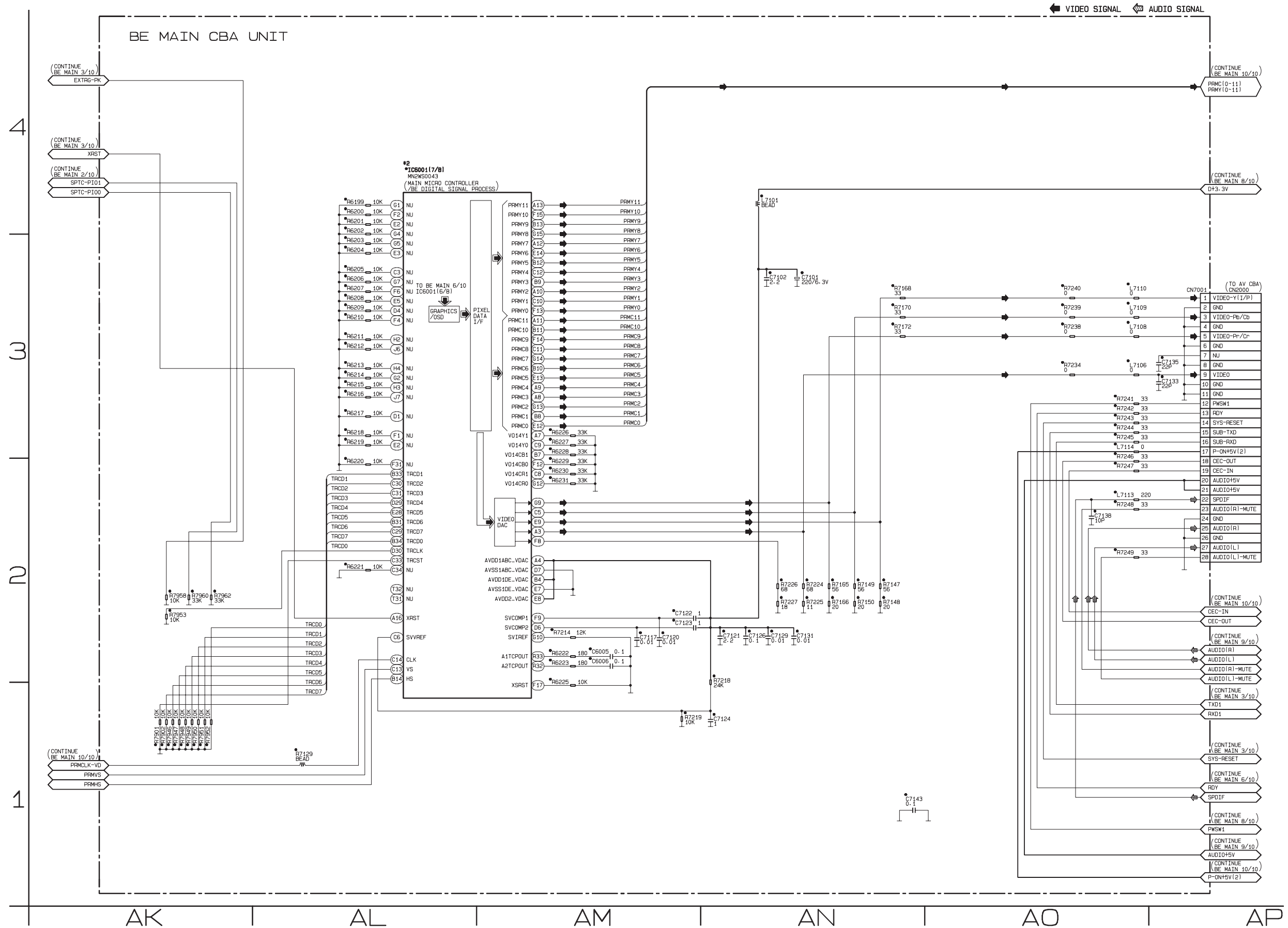


BE Main 7/10 Schematic Diagram

*2 NOTE:

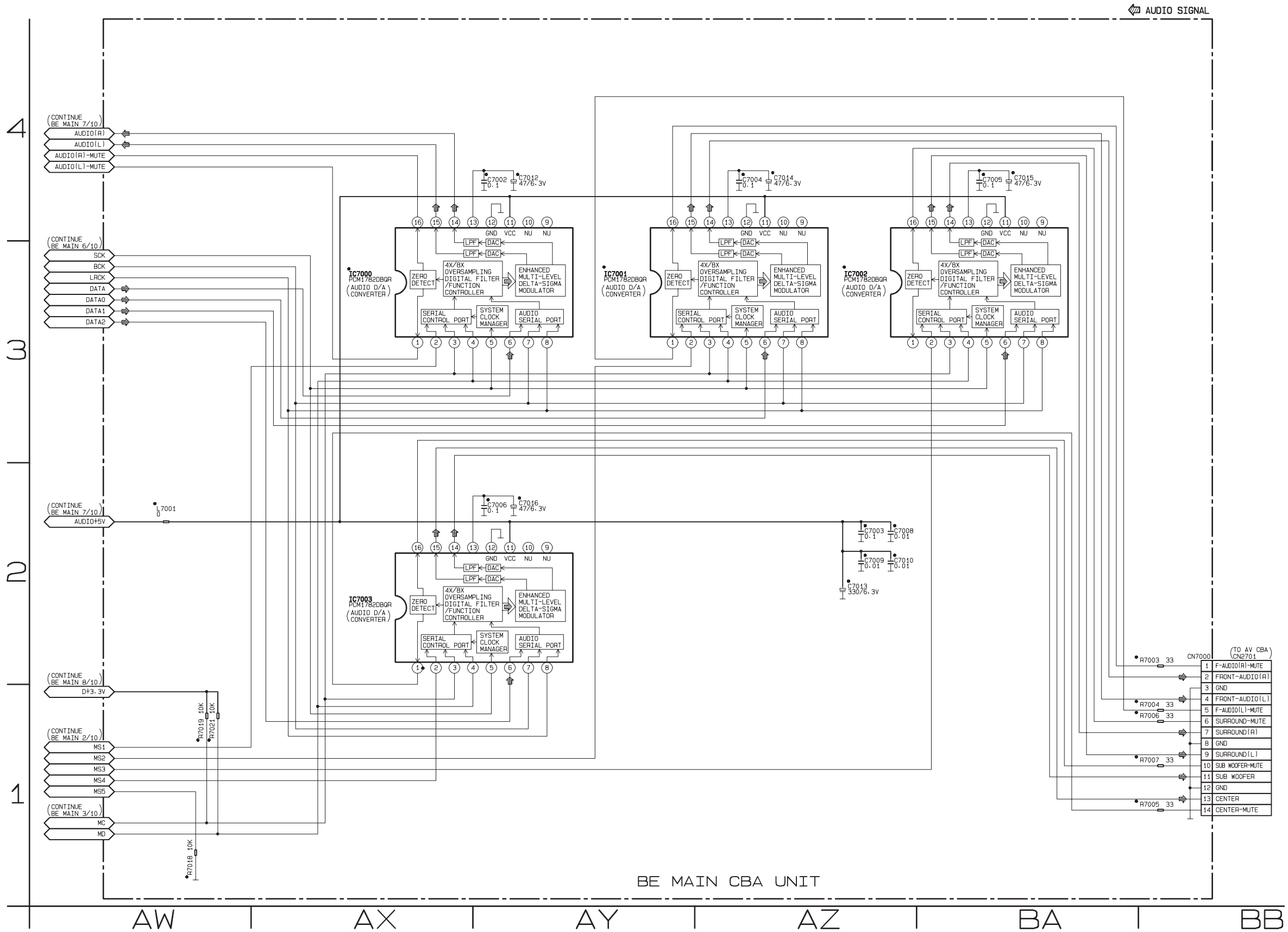
"●" = SMD

The order of pins shown in this diagram is different from that of actual IC6001. IC6001 is divided into eight and shown as IC6001 (1/8) ~ IC6001 (8/8) in this BE Main Schematic Diagram Section.



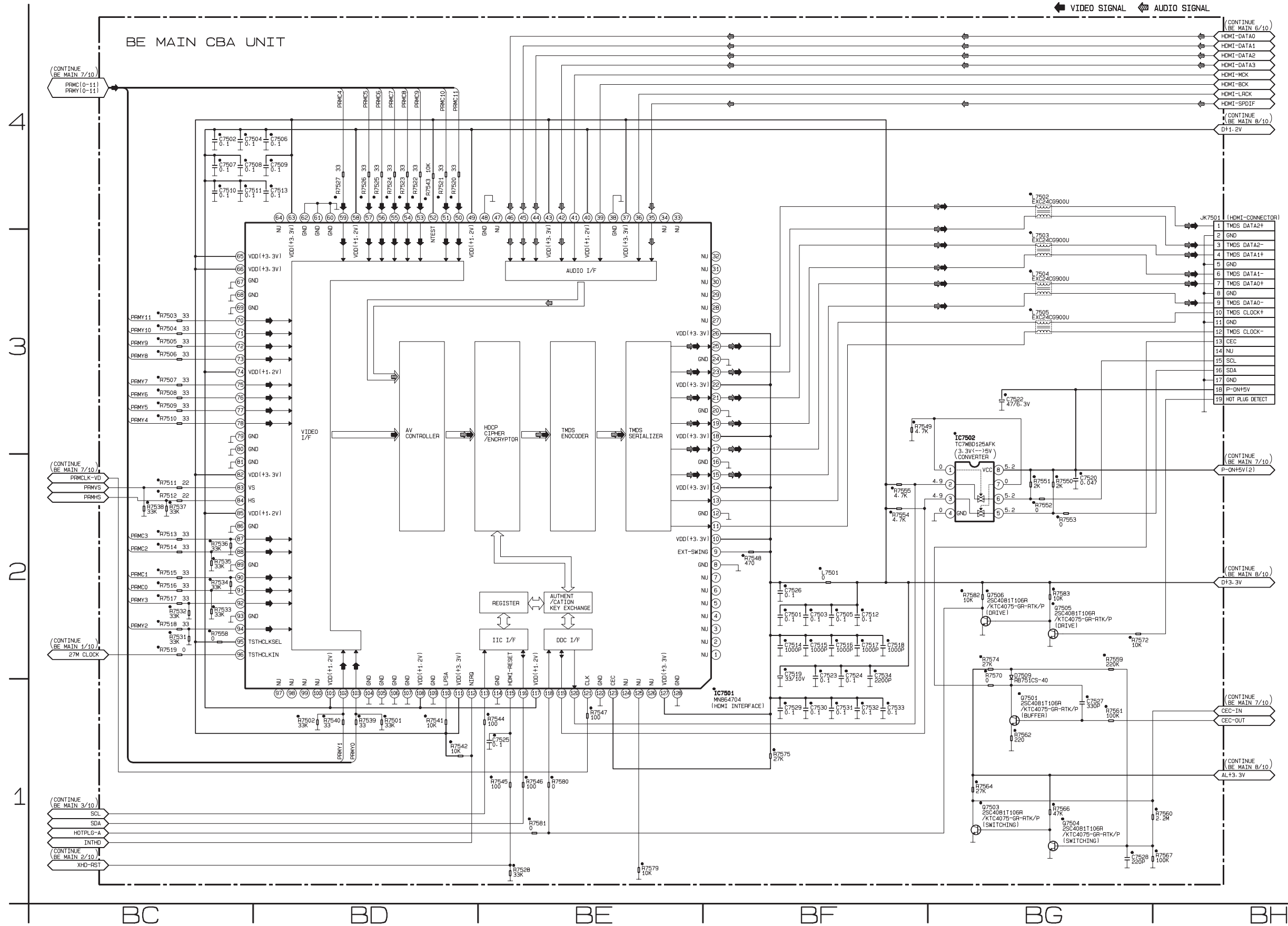
BE Main 9/10 Schematic Diagram

"●" = SMD

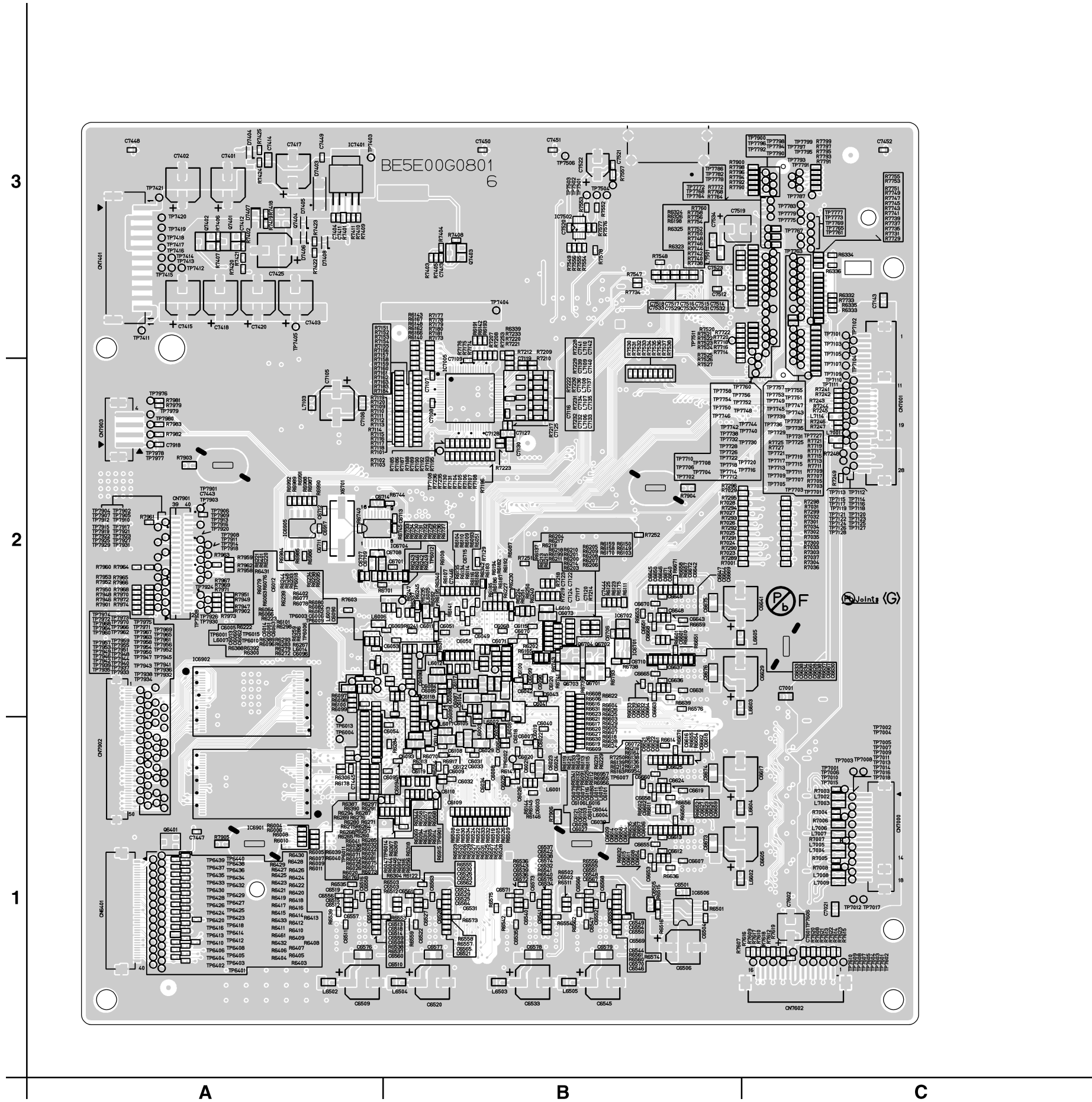


BE Main 10/10 Schematic Diagram

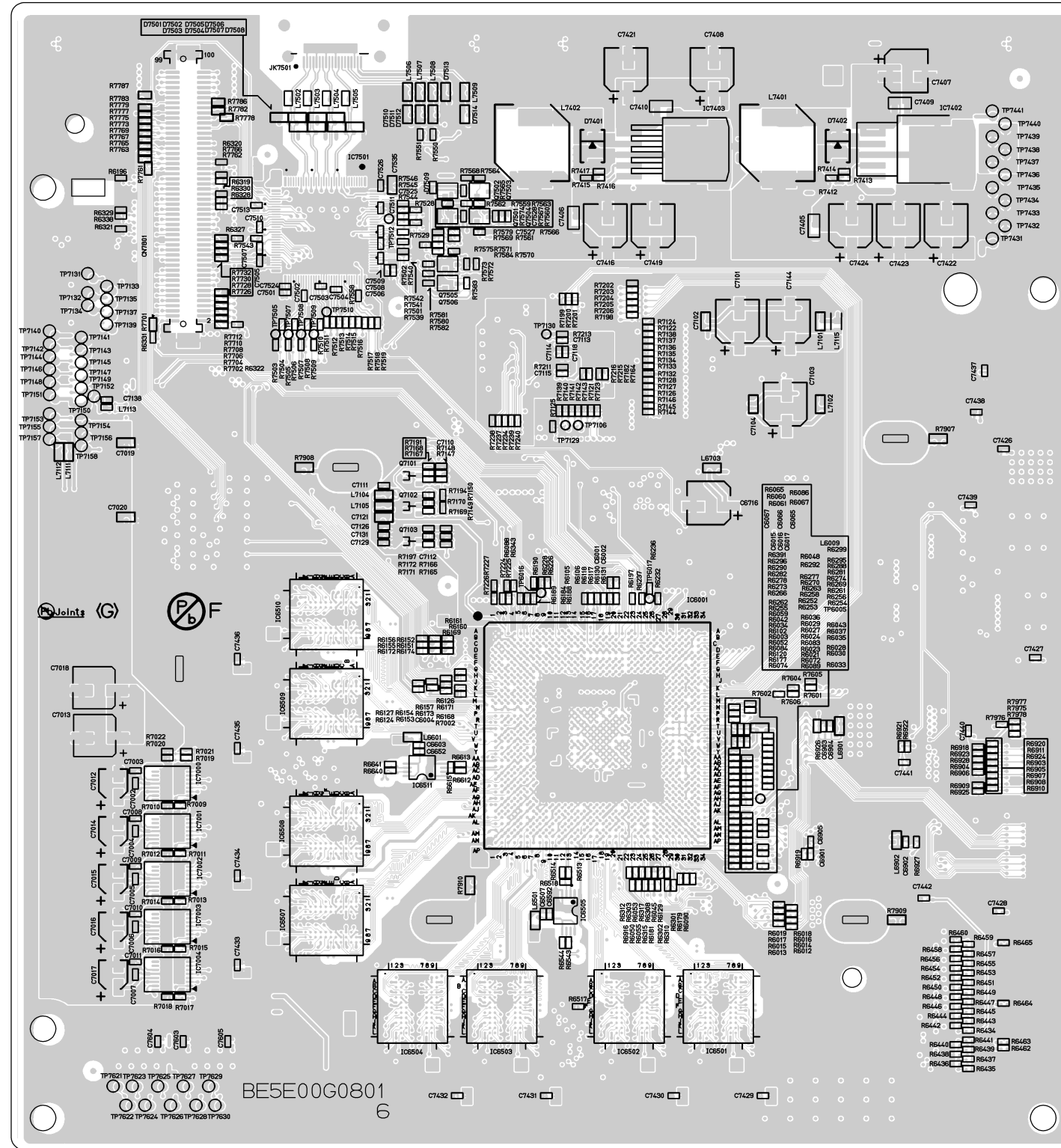
"●" = SMD



BE Main CBA Top View



BE Main CBA Bottom View



C

B

A

3

2

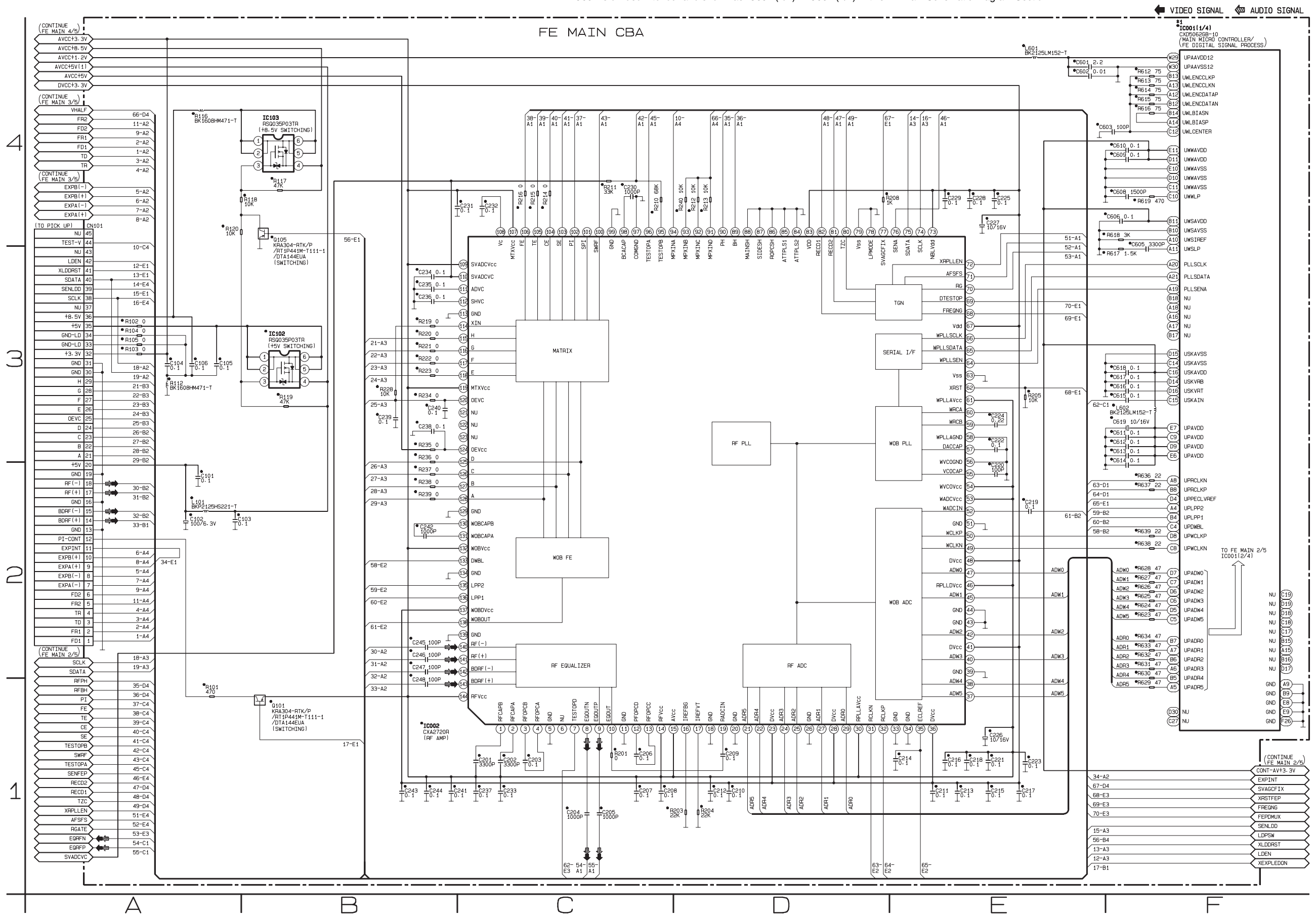
1

FE Main 1/5 Schematic Diagram

● = SMD

***1 NOTE:**

The order of pins shown in this diagram is different from that of actual IC001.
IC001 is divided into four and shown as IC001 (1/4) ~ IC001 (4/4) in this FE Main Schematic Diagram Section.

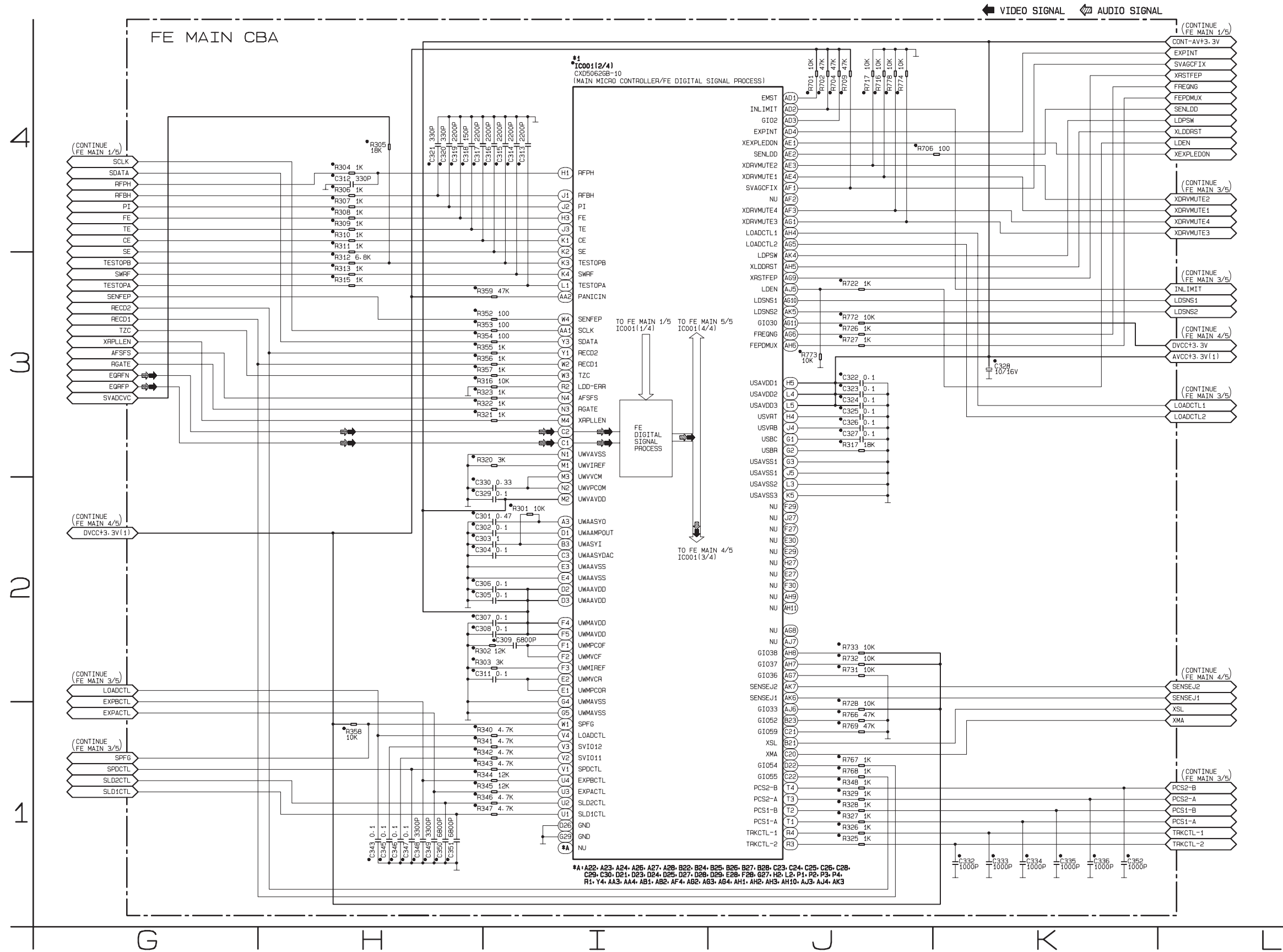


FE Main 2/5 Schematic Diagram

*1 NOTE:

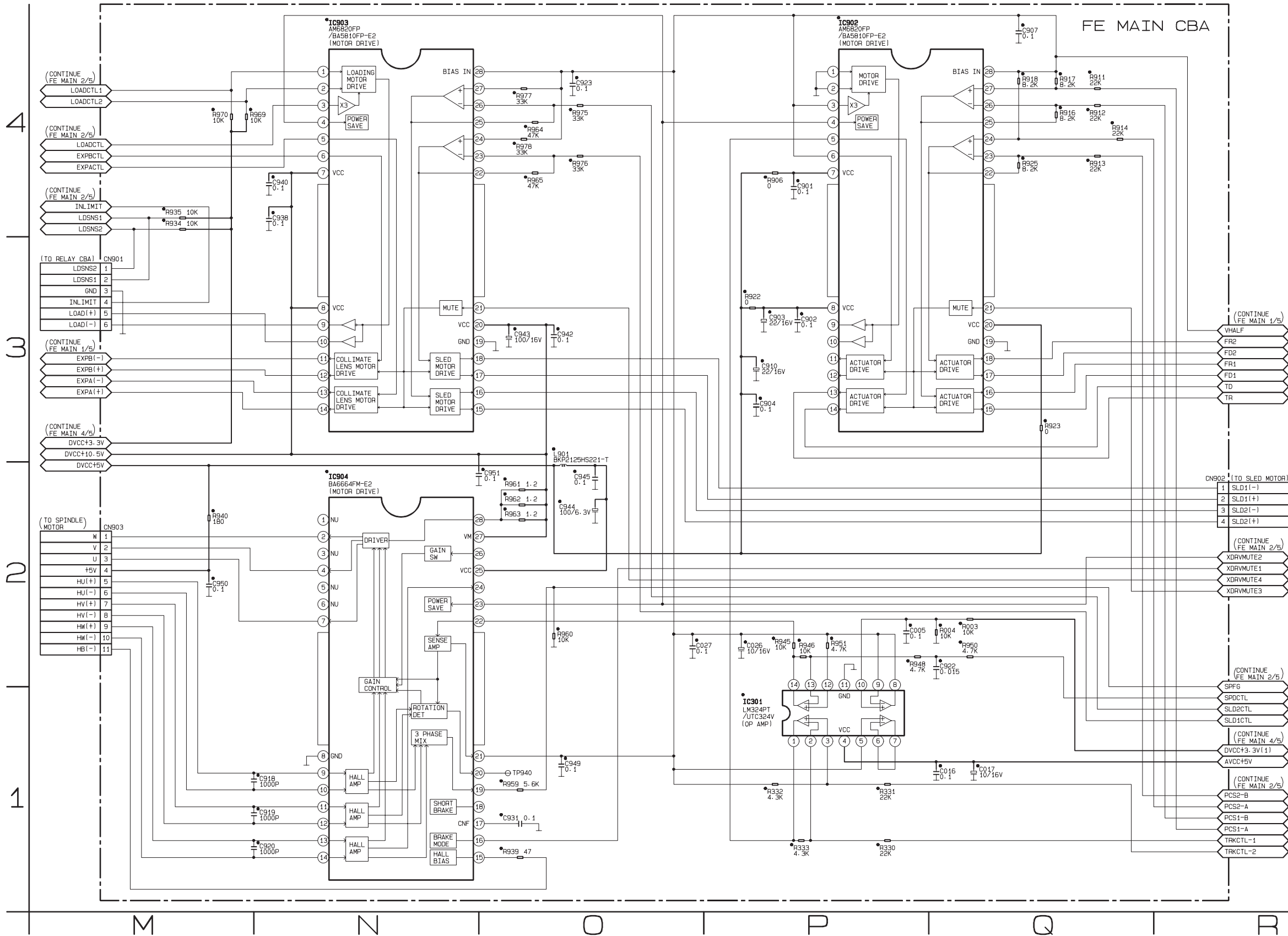
The order of pins shown in this diagram is different from that of actual IC001.
IC001 is divided into four and shown as IC001 (1/4) ~ IC001 (4/4) in this FE Main Schematic Diagram Section.

*● = SMD



FE Main 3/5 Schematic Diagram

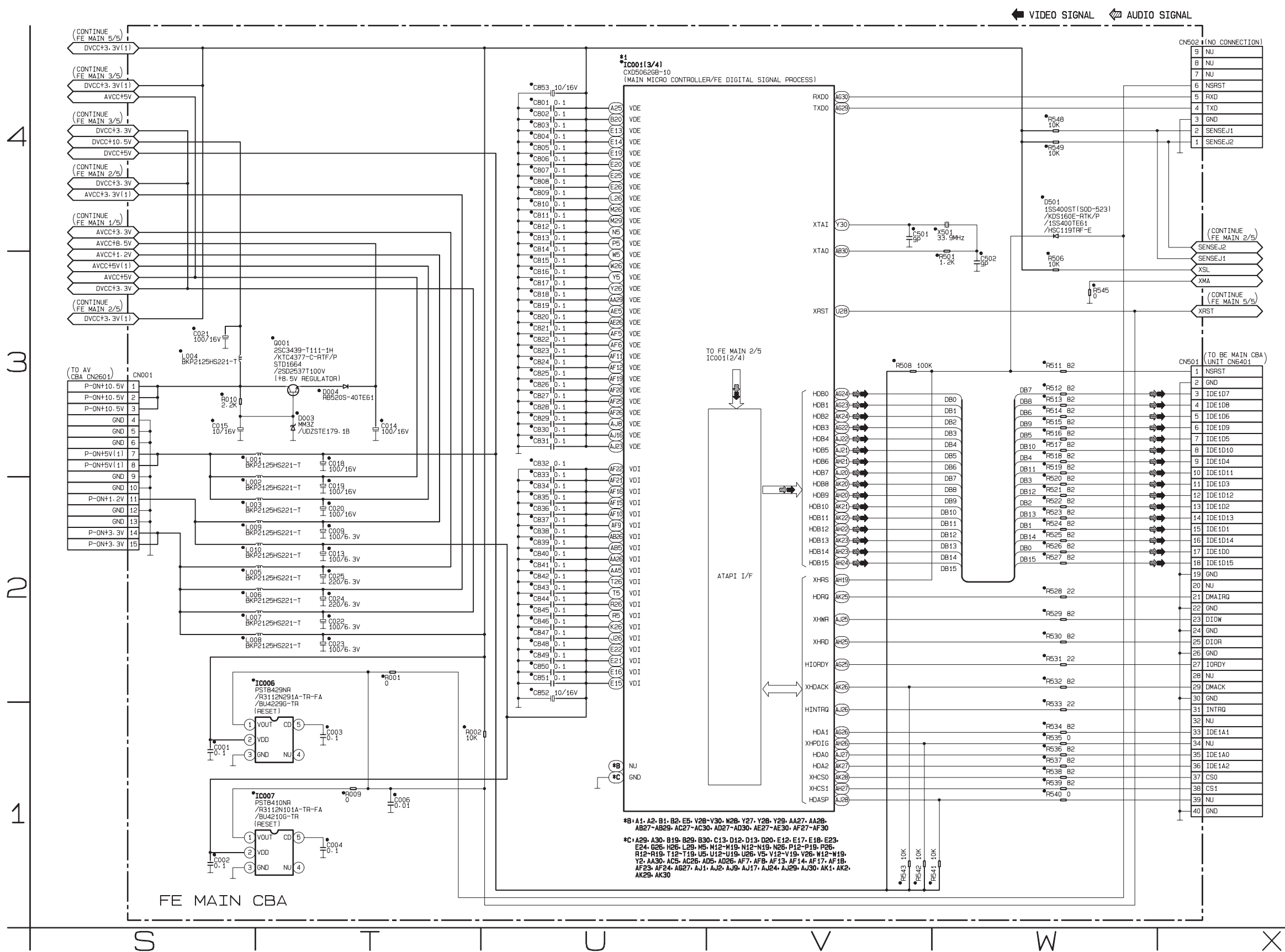
• = SMD



FE Main 4/5 Schematic Diagram

● = SMD

***1 NOTE:**
The order of pins shown in this diagram is different from that of actual IC001.
IC001 is divided into four and shown as IC001 (1/4) ~ IC001 (4/4) in this FE Main Schematic Diagram Section.

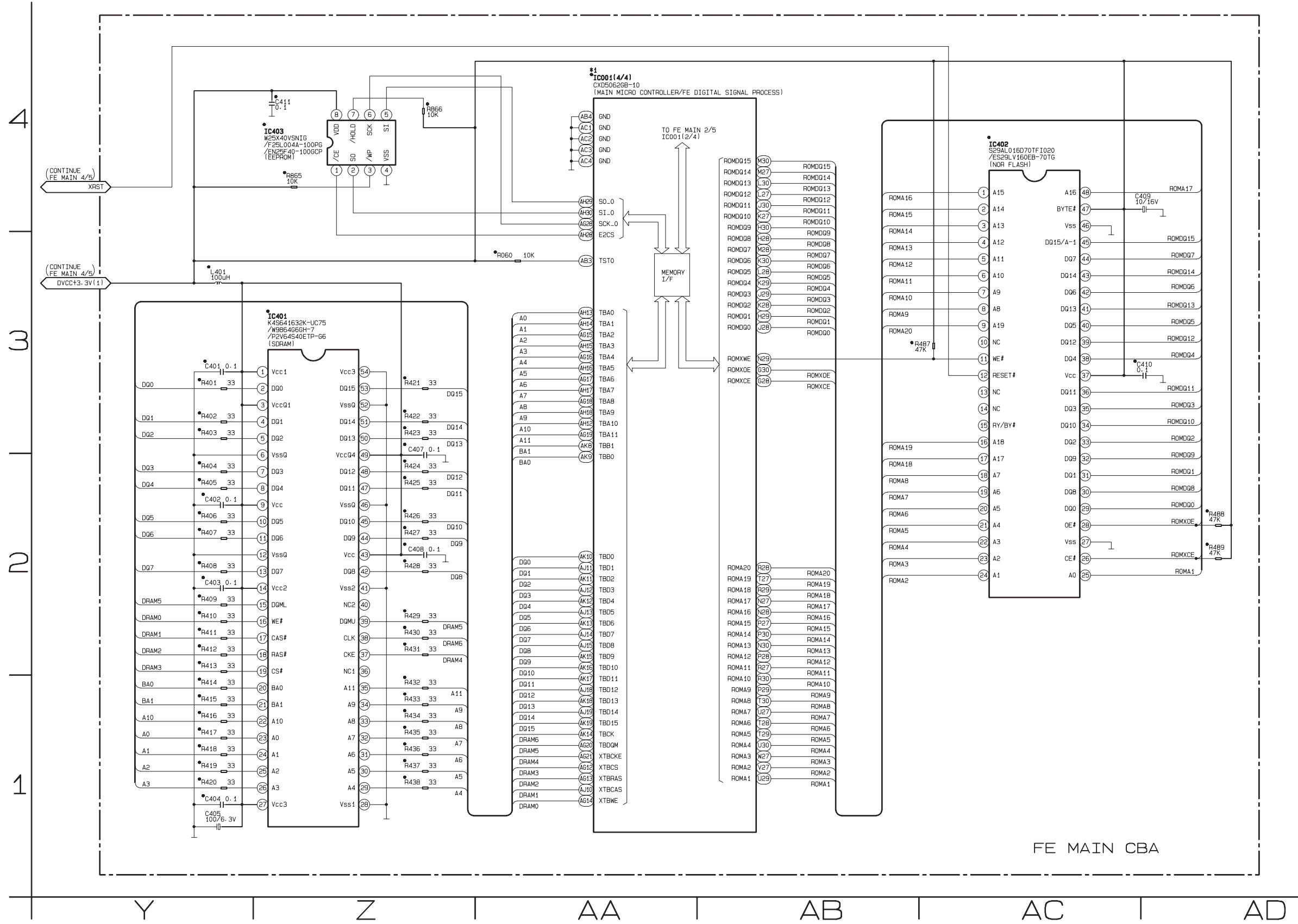


- *B: A1, A2, B1, B2, E5, Y2B-V30, W2B, Y27, Y2B, Y2B, AA27, AA2B, AB27-AB29, AC27-AC30, AD27-AD30, AE27-AE30, AF27-AF30
- *C: A29, A30, B19, B29, B30, C13, D13, D13, D20, E12, E17, E18, E23, E24, B25, H25, L29, M5, M12-M19, N12-N19, N25, P12-P19, P25, R12-R19, T12-T19, U5, U12-U19, U26, V5, V12-V19, V26, W12-W19, Y2, AA30, AC5, AC26, AD5, AD26, AF7, AF8, AF13, AF14, AF17, AF18, AF23, AF24, AG27, AJ1, AJ2, AJ9, AJ17, AJ24, AJ29, AJ30, AK1, AK2, AK29, AK30

FE Main 5/5 Schematic Diagram

• = SMD

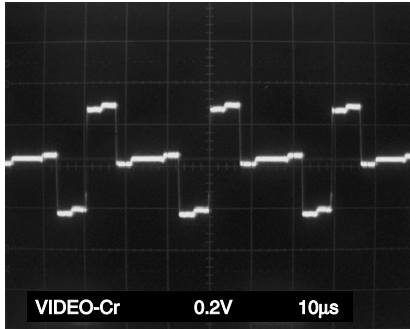
***1 NOTE:**
The order of pins shown in this diagram is different from that of actual IC001.
IC001 is divided into four and shown as IC001 (1/4) ~ IC001 (4/4) in this FE Main Schematic Diagram Section.



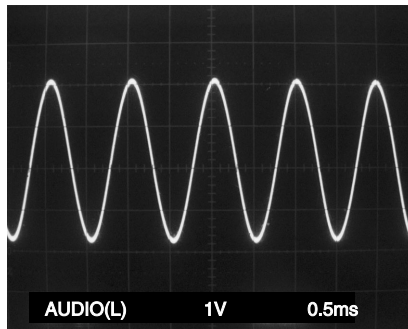
FE MAIN CBA

WAVEFORMS

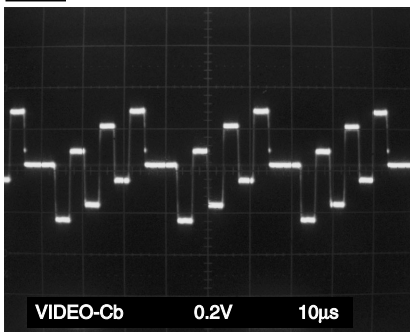
WF1 Pin 5 of CN2000



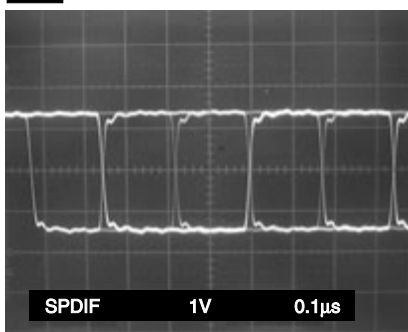
WF4 Pin 27 of CN2000



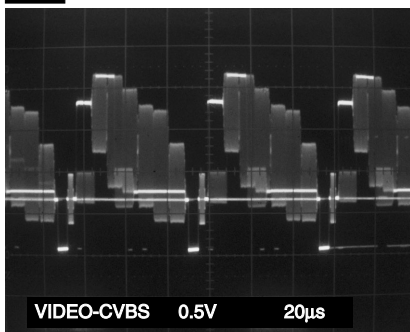
WF2 Pin 3 of CN2000



WF5 Pin 22 of CN2000



WF3 C2314 PLUS LEAD



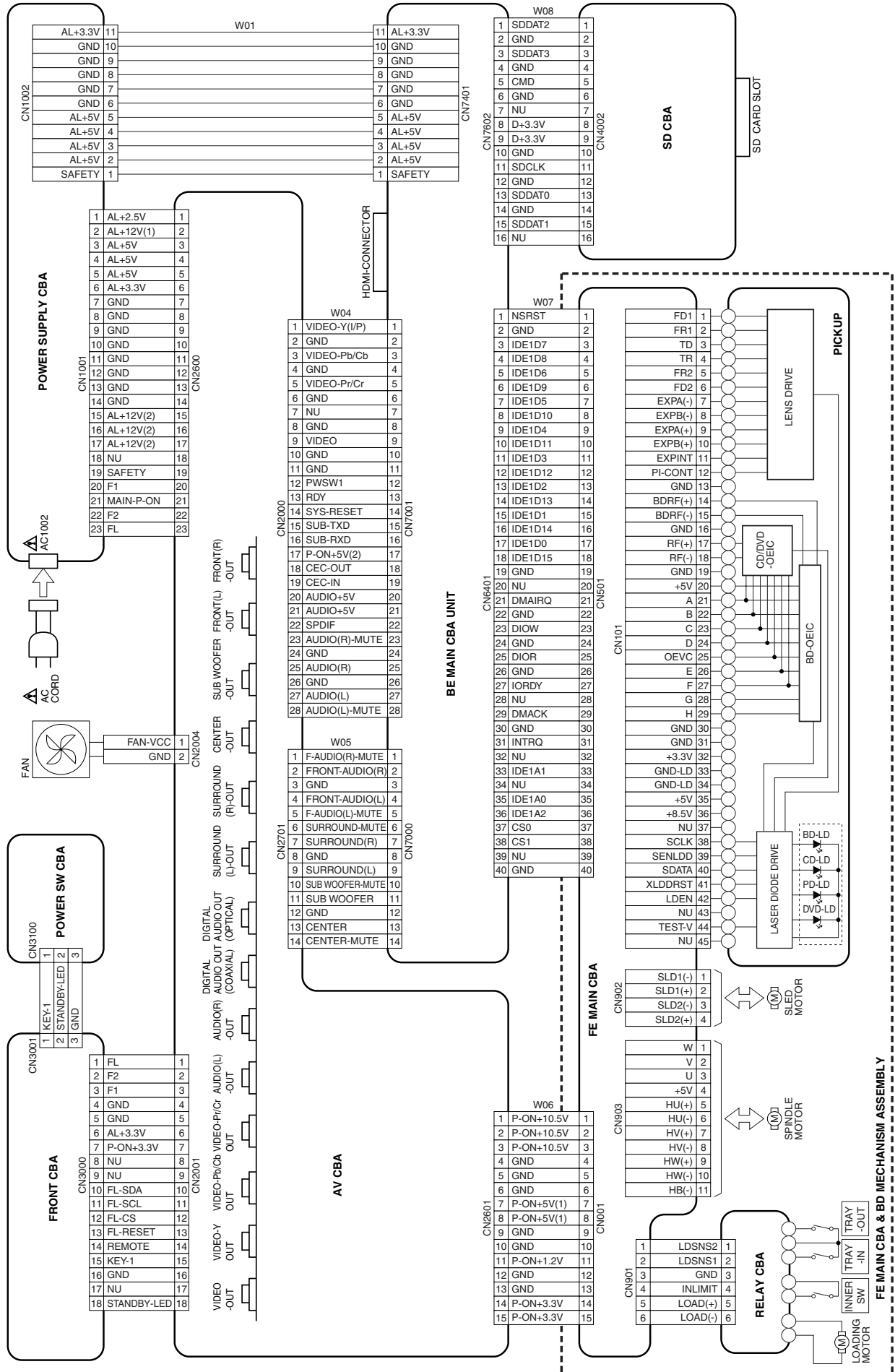
NOTE:

Input Signal (DVD)

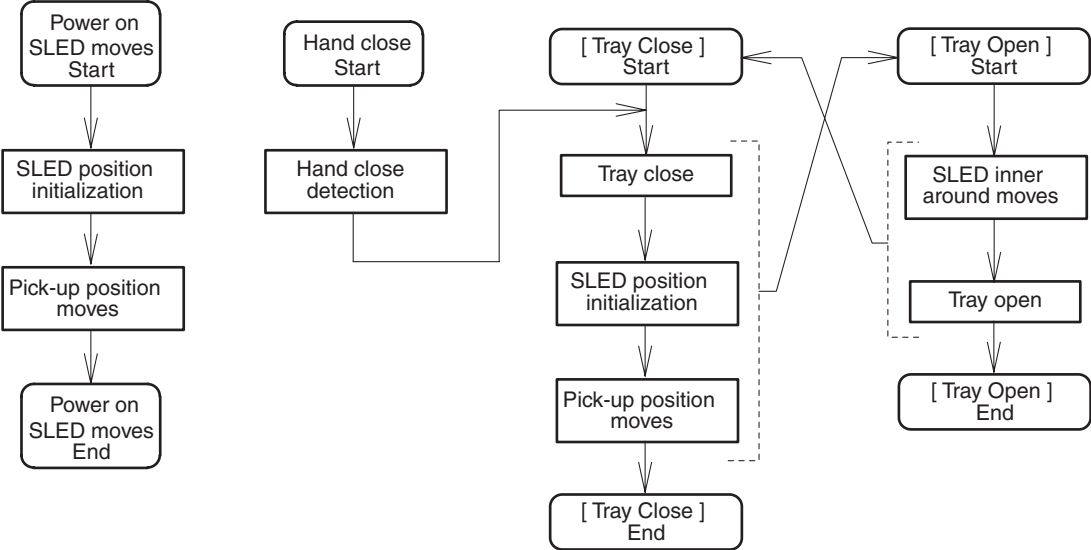
VIDEO: 75% COLOR BAR

AUDIO: 1KHz, 0dB

WIRING DIAGRAM



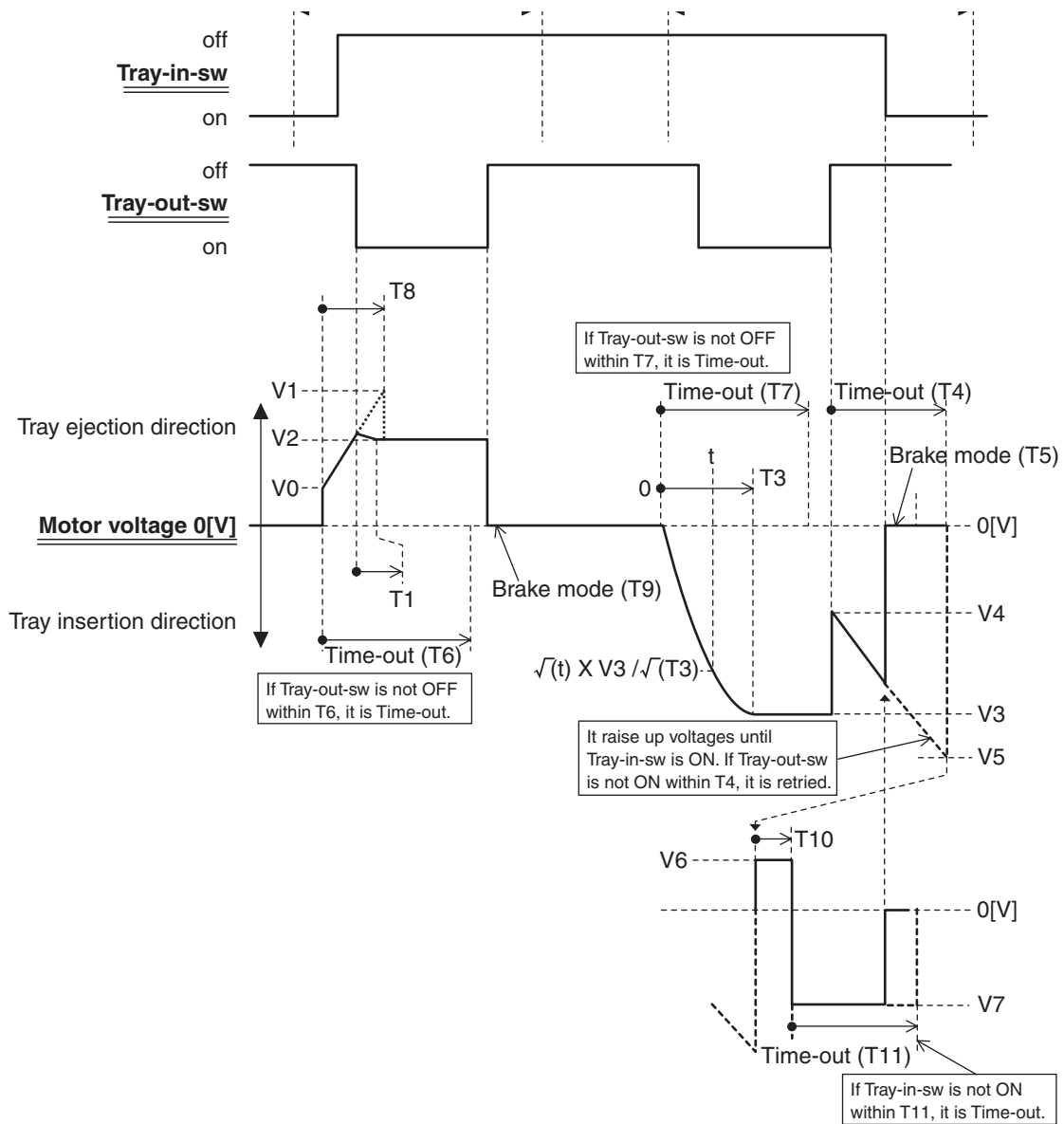
SYSTEM CONTROL TIMING CHARTS



Note:
 If other sequence is received during the sequence, it will stop and other sequence starts.
 Only if SLED is moving, it will stop after the moving is finished.

Parameter

V*: Voltage	T*: Event timer
V0: 1.5 V	T1: 0.3 s
V1: 6.8 V	T3: 0.4 s
V2: 3.5 V	T4: 2.0 s
V3: -3.5 V	T5: 0.2 s
V4: -2.5 V	T6: 3.0 s
V5: -6.8 V	T7: 3.0 s
V6: 0.8 V	T8: 2.0 s
V7: -4.0 V	T9: 0.2 s
	T10: 0.2 s
	T11: 2.0 s



Tray close (retry)

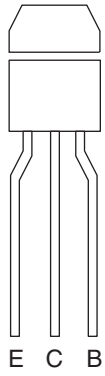
IC PIN FUNCTION DESCRIPTIONS

IC2000 (SUB MICRO CONTROLLER)

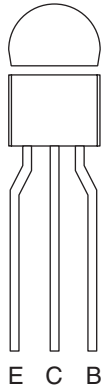
Pin No.	IN/OUT	Signal Name	Function
1	-	NU	Not Used
2	-	NU	Not Used
3	-	NU	Not Used
4	IN	KEY-1	Key Data Input 1
5	-	NU	Not Used
6	IN	VDD	+3.3V Power Supply
7	IN	VDD	+3.3V Power Supply
8	OUT	OSC1	Main Clock Output
9	IN	OSC2	Main Clock Input
10	-	GND	Ground
11	-	NU	Not Used
12	-	NU	Not Used
13	-	GND	Ground
14	IN	RESET	Micro Controller Reset Signal
15	-	NU	Not Used
16	-	NU	Not Used
17	-	NU	Not Used
18	-	NU	Not Used
19	-	NU	Not Used
20	OUT	FL-CS	FL Chip Select Signal
21	OUT	MODE1	Mode 1 Signal
22	OUT	MODE2	Mode 2 Signal
23	-	NU	Not Used
24	OUT	MAIN-P-ON	Power On Signal
25	OUT	A33-PW-CONT	Power Regulator Control Signal
26	OUT	FL-SW	FL On/Off Control Signal
27	IN	REMOTE	Remote Signal Input
28	IN	CEC-IN	CEC Signal Input
29	OUT	PWSW2	Power On Signal Output 2
30	-	NU	Not Used
31	OUT	AUDIO-MUTE	Audio Mute Control Signal
32	-	NU	Not Used
33	OUT	FL-SDA	FL Serial Data
34	OUT	FL-SCL	FL Serial Clock
35	-	NU	Not Used
36	-	NU	Not Used
37	OUT	PWSW3	Power On Signal Output 3
38	-	NU	Not Used

Pin No.	IN/OUT	Signal Name	Function
39	OUT	IIC-BUS SDA	IIC-BUS Serial Data
40	OUT	IIC-BUS SCL	IIC-BUS Serial Clock
41	-	NU	Not Used
42	OUT	PWSW1	Power On Signal Output 1
43	IN	RDY	Ready/Busy communication Control Signal
44	OUT	SYS-RESET	System Reset Signal
45	OUT	FAN-CONT	Fan Motor Control Signal
46	-	NU	Not Used
47	-	NU	Not Used
48	OUT	SUB-TXD	Transmission Data to Main Micro Controller
49	IN	SUB-RXD	Reception Data from Main Micro Controller
50	OUT	V5V-PW-SW	Video+5V Power Control
51	-	NU	Not Used
52	OUT	CEC-OUT	CEC Signal Output
53	-	NU	Not Used
54	-	NU	Not Used
55	-	NU	Not Used
56	-	NU	Not Used
57	-	NU	Not Used
58	-	NU	Not Used
59	-	NU	Not Used
60	OUT	STANDBY-LED	Standby LED Signal Output
61	-	VREF	Ground
62	IN	FAN-DETECT	Fan Signal Detect
63	IN	SAFETY	Power Supply Failure Detection
64	-	NU	Not Used

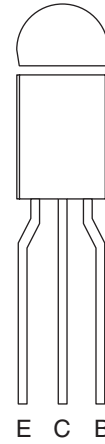
LEAD IDENTIFICATIONS



2SA1980M Y
2SC5343MG-AT
2SC5343M Y
KRA105M-AT/P
KRC102M-AT/P
KRC103M-AT/P
KTA1267-Y-AT/P
KTC3199-GR-AT/P
KTC3205-Y-AT/P
SRA2205M
SRC1203MAT

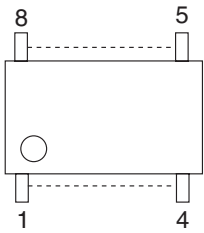


2SA1981Y-AT
2SC1815-(GR,Y)(TE2 F T)
2SC5343Y-AT
KTA1266-Y-AT/P
KTA1271-Y-AT/P
KTC3198-Y-AT/P

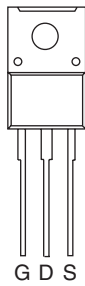


STB1277LY-AT
STD1862LY-AT

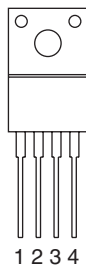
MM1636XWRE



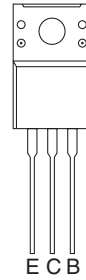
2SK3798(Q)



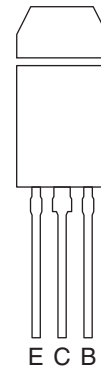
PQ070XF02SZH



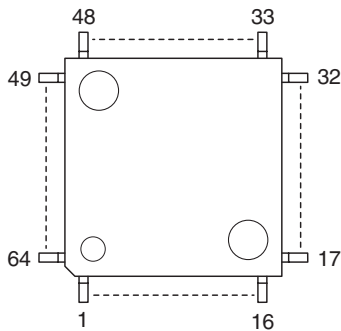
KTC2026-Y/P



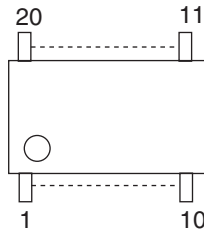
KTA1273-Y-AT/P



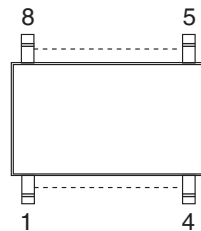
MN101C77AFS3



BH7602FS-E2



UTC4580E

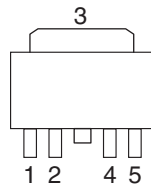


EL817B
LTV-817B-F
PS2561A-1(Q)
PS2561A-1(W)

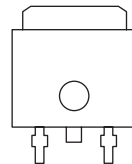


1: Anode
2: Cathode
3: Emitter
4: Collector

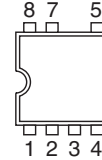
PQ035ZN01ZPH
PQ035ZNA1ZPH



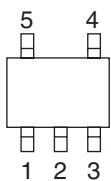
STC403



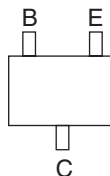
MIP2F10MS



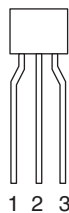
PST3630NR
PST8430NR



2SA1530A-T112-1Z
2SA1980SFY
ISA1530AC1-T112U-1Z
KTA1504S-Y-RTK/P

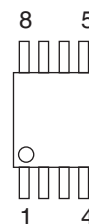


2SD2144S



1: GND
2: OUT
3: IN

FA5542N-A2-TE1
TB7102F



Note:

A: Anode
K: Cathode
E: Emitter
C: Collector
B: Base
R: Reference
G: Gate
D: Drain
S: Source

ELECTRICAL PARTS LIST

PRODUCT SAFETY NOTE: Products marked with a **▲** have special characteristics important to safety. Before replacing any of these components, read carefully the product safety notice in this service manual. Don't degrade the safety of the product through improper servicing.

NOTES:

Parts that are not assigned part numbers (-----) are not available.

Tolerance of Capacitors and Resistors are noted with the following symbols.

- | | | |
|--------------|-------------|----------------|
| C.....±0.25% | D.....±0.5% | F.....±1% |
| G.....±2% | J.....±5% | K.....±10% |
| M.....±20% | N.....±30% | Z.....+80/-20% |

ELECTRICAL PARTS LIST				BDP7200/12
Pos.No.	▲	12 NC	Description	
ASSY1		996510018699	FE MAIN CBA & BD MECHANISM ASSEMBLY	1
ASSY2		996510018700	BE MAIN CBA UNIT	1
ASSY3		996510018701	AV ASSEMBLY	1
Consists of the following:				
ASSY3a			AV CBA	1
ASSY3b			POWER SW CBA	1
ASSY3c			FRONT CBA	1
AV CBA				
2L055			SCREW S-TIGHT M3X8 BIND HEAD+	1
B47			POWER HEATSINK E4340UD	1
JK2100			RCA JACK(BLACK) MSP-251V-01 NI FE LF	1
JK2100			RCA JACK BLACK RCA-117-03	1
JK2200			JACK RCA PCB L 02 MSP-242V-01 NI FE	1
JK2300			JACK RCA PCB L MSP-244V10-46 NI FE	1
JK2400			FIBER OPTIC TRANS.MODULE OC-0805T*002	1
JK2701			JACK RCA PCB L MSP-246V34-83 NI FE	1
X2000			CERAMIC RESONATOR ZTT8.00MT47	1
X2000			CERAMIC RESONATOR CSTLS8M00G56-B0	1
CAPACITORS				
C2000			CHIP CERAMIC CAP.(1608) B K 0.1UF/25V	1
C2001			ELECTROLYTIC CAP. 100UF/16V M	1
C2001			CAP ELECTROLYTIC 100UF/16V/M	1
C2002			CHIP CERAMIC CAP. (1608) B K 1UF/16V	1
C2004			ELECTROLYTIC CAP. 47UF/16V M	1
C2004			CAP ELECTROLYTIC 47UF/16V/M	1
C2005			CHIP CERAMIC CAP.(1608) F Z 0.1UF/50V	1
C2007			CHIP CERAMIC CAP.(1608) F Z 0.1UF/50V	1
C2009			CHIP CERAMIC CAP.(1608) CH J 100PF/50V	1
C2011			CHIP CERAMIC CAP.(1608) F Z 0.1UF/50V	1
C2012			CHIP CERAMIC CAP.(1608) CH J 100PF/50V	1

ELECTRICAL PARTS LIST				BDP7200/12
Pos.No.	▲	12 NC	Description	
If C2013 is 0.1UF, then IC2001 is PST3630NR.				
C2013			CHIP CERAMIC CAP.(1608) B K 0.1UF/25V	1
IC2001			RESET IC IC-PST3630NR	1
If C2013 is 0.01UF, then IC2001 is PST8430NR.				
C2013			CHIP CERAMIC CAP. B K 0.01UF/50V	1
IC2001			RESET IC IC-PST8430NR	1
C2016			ELECTROLYTIC CAP. 47UF/6.3V M	1
C2016			CAP ELECTROLYTIC 47UF/6.3V/M	1
C2018			ELECTROLYTIC CAP. 47UF/6.3V M	1
C2018			CAP ELECTROLYTIC 47UF/6.3V/M	1
C2019			CHIP RES.(1608) 1/10W 0 OHM	1
C2019			RES CHIP 1608 1/10W J 0 OHM	1
C2100			CHIP CERAMIC CAP.(1608) B K 0.1UF/25V	1
C2104			ELECTROLYTIC CAP. 47UF/6.3V M	1
C2104			CAP ELECTROLYTIC 47UF/6.3V/M	1
C2106			CHIP CERAMIC CAP. CH D 8PF/50V	1
C2107			ELECTROLYTIC CAP. 220UF/6.3V M	1
C2107			CAP ELECTROLYTIC 220UF/6.3V/M	1
C2108			CHIP CERAMIC CAP.(1608) F Z 0.1UF/50V	1
C2180			CHIP CERAMIC CAP.(1608) F Z 0.1UF/50V	1
C2181			ELECTROLYTIC CAP. 220UF/6.3V M	1
C2181			CAP ELECTROLYTIC 220UF/6.3V/M	1
C2204			ELECTROLYTIC CAP. 47UF/25V M	1
C2204			CAP ELECTROLYTIC 47UF/25V/M	1
C2205			ELECTROLYTIC CAP. 1000UF/6.3V M	1
C2205			CAP ELECTROLYTIC 1000UF/6.3V/M	1
C2206			CHIP CERAMIC CAP.(1608) F Z 0.1UF/50V	1
C2207			ELECTROLYTIC CAP. 10UF/16V M	1
C2207			CAP ELECTROLYTIC 10UF/16V/M	1
C2208			ELECTROLYTIC CAP. 10UF/16V M	1
C2208			CAP ELECTROLYTIC 10UF/16V/M	1
C2209			CHIP CERAMIC CAP. CH J 220PF/50V	1
C2210			CHIP CERAMIC CAP. CH J 220PF/50V	1
C2211			ELECTROLYTIC CAP. 10UF/16V M	1
C2211			CAP ELECTROLYTIC 10UF/16V/M	1
C2212			ELECTROLYTIC CAP. 10UF/16V M	1
C2212			CAP ELECTROLYTIC 10UF/16V/M	1
C2213			CHIP CERAMIC CAP.(1608) F Z 0.1UF/50V	1
C2215			CHIP CERAMIC CAP. CH J 39PF/50V	1
C2216			CHIP CERAMIC CAP. CH J 39PF/50V	1
C2280			CHIP CERAMIC CAP.(1608) F Z 0.1UF/50V	1
C2281			ELECTROLYTIC CAP. 220UF/6.3V M	1
C2281			CAP ELECTROLYTIC 220UF/6.3V/M	1
C2282			ELECTROLYTIC CAP. 47UF/16V M	1
C2282			CAP ELECTROLYTIC 47UF/16V/M	1
C2283			ELECTROLYTIC CAP. 1000UF/6.3V M	1
C2283			CAP ELECTROLYTIC 1000UF/6.3V/M	1
C2284			CHIP CERAMIC CAP.(1608) F Z 0.1UF/50V	1
C2285			ELECTROLYTIC CAP. 220UF/25V M	1
C2285			CAP ELECTROLYTIC 220UF/25V/M	1
C2286			CHIP CERAMIC CAP.(1608) F Z 0.1UF/50V	1
C2287			ELECTROLYTIC CAP. 1000UF/6.3V M	1
C2287			CAP ELECTROLYTIC 1000UF/6.3V/M	1
C2300			ELECTROLYTIC CAP. 470UF/6.3V M	1
C2300			CAP ELECTROLYTIC 470UF/6.3V/M	1
C2301			CHIP CERAMIC CAP.(1608) F Z 0.1UF/50V	1
C2303			CHIP CERAMIC CAP. B K 0.01UF/50V	1

ELECTRICAL PARTS LIST				BDP7200/12
Pos.No.	▲	12 NC	Description	
C2304			ELECTROLYTIC CAP. 22UF/16V M	1
C2304			CAP ELECTROLYTIC 22UF/16V/M	1
C2305			CHIP CERAMIC CAP. B K 0.01UF/50V	1
C2309			CHIP CERAMIC CAP.(1608) F Z 0.1UF/50V	1
C2311			CHIP CERAMIC CAP.(1608) B K 0.47UF/10V	1
C2312			CHIP CERAMIC CAP.(1608) F Z 0.1UF/50V	1
C2313			ELECTROLYTIC CAP. 47UF/6.3V M	1
C2313			CAP ELECTROLYTIC 47UF/6.3V/M	1
C2314			ELECTROLYTIC CAP. 470UF/6.3V M	1
C2314			CAP ELECTROLYTIC 470UF/6.3V/M	1
C2315			ELECTROLYTIC CAP. 47UF/6.3V M	1
C2315			CAP ELECTROLYTIC 47UF/6.3V/M	1
C2316			CHIP CERAMIC CAP.(1608) F Z 0.1UF/50V	1
C2317			ELECTROLYTIC CAP. 470UF/6.3V M	1
C2317			CAP ELECTROLYTIC 470UF/6.3V/M	1
C2318			ELECTROLYTIC CAP. 470UF/6.3V M	1
C2318			CAP ELECTROLYTIC 470UF/6.3V/M	1
C2319			ELECTROLYTIC CAP. 470UF/6.3V M	1
C2319			CAP ELECTROLYTIC 470UF/6.3V/M	1
C2320			ELECTROLYTIC CAP. 47UF/16V M	1
C2320			CAP ELECTROLYTIC 47UF/16V/M	1
C2600			CHIP CERAMIC CAP. (1608) B K 1UF/16V	1
C2601			ELECTROLYTIC CAP. 1000UF/6.3V M	1
C2601			CAP ELECTROLYTIC 1000UF/6.3V/M	1
C2602			ELECTROLYTIC CAP. 1000UF/6.3V M	1
C2602			CAP ELECTROLYTIC 1000UF/6.3V/M	1
C2603			CHIP CERAMIC CAP. (1608) B K 1UF/16V	1
C2604			ELECTROLYTIC CAP. 10UF/16V M	1
C2604			CAP ELECTROLYTIC 10UF/16V/M	1
C2605			ELECTROLYTIC CAP. 47UF/25V M	1
C2605			CAP ELECTROLYTIC 47UF/25V/M	1
C2606			ELECTROLYTIC CAP. 100UF/6.3V M	1
C2606			CAP ELECTROLYTIC 100UF/6.3V/M	1
C2607			ELECTROLYTIC CAP. 1000UF/6.3V M	1
C2607			CAP ELECTROLYTIC 1000UF/6.3V/M	1
C2608			ELECTROLYTIC CAP. 1000UF/6.3V M	1
C2608			CAP ELECTROLYTIC 1000UF/6.3V/M	1
C2609			ELECTROLYTIC CAP. 100UF/6.3V M	1
C2609			CAP ELECTROLYTIC 100UF/6.3V/M	1
C2610			CHIP CERAMIC CAP.(1608) B K 0.1UF/25V	1
C2611			CHIP CERAMIC CAP.(2125) F Z 10UF/10V	1
C2614			CHIP CERAMIC CAP.(1608) B K 0.33UF/10V	1
C2702			ELECTROLYTIC CAP. 47UF/16V M	1
C2702			CAP ELECTROLYTIC 47UF/16V/M	1
C2703			ELECTROLYTIC CAP. 47UF/16V M	1
C2703			CAP ELECTROLYTIC 47UF/16V/M	1
C2704			CHIP CERAMIC CAP.(1608) F Z 0.1UF/50V	1
C2705			ELECTROLYTIC CAP. 1000UF/6.3V M	1
C2705			CAP ELECTROLYTIC 1000UF/6.3V/M	1
C2706			ELECTROLYTIC CAP. 47UF/16V M	1
C2706			CAP ELECTROLYTIC 47UF/16V/M	1
C2707			CHIP CERAMIC CAP.(1608) F Z 0.1UF/50V	1
C2708			ELECTROLYTIC CAP. 10UF/16V M	1
C2708			CAP ELECTROLYTIC 10UF/16V/M	1
C2709			ELECTROLYTIC CAP. 10UF/16V M	1
C2709			CAP ELECTROLYTIC 10UF/16V/M	1
C2710			CHIP CERAMIC CAP. CH J 220PF/50V	1
C2711			CHIP CERAMIC CAP. CH J 220PF/50V	1

ELECTRICAL PARTS LIST				BDP7200/12
Pos.No.	▲	12 NC	Description	
C2712			CHIP CERAMIC CAP. CH J 39PF/50V	1
C2713			CHIP CERAMIC CAP. CH J 39PF/50V	1
C2714			ELECTROLYTIC CAP. 10UF/16V M	1
C2714			CAP ELECTROLYTIC 10UF/16V/M	1
C2715			ELECTROLYTIC CAP. 10UF/16V M	1
C2715			CAP ELECTROLYTIC 10UF/16V/M	1
C2718			CHIP CERAMIC CAP.(1608) F Z 0.1UF/50V	1
C2719			CHIP CERAMIC CAP.(1608) F Z 0.1UF/50V	1
C2720			ELECTROLYTIC CAP. 10UF/16V M	1
C2720			CAP ELECTROLYTIC 10UF/16V/M	1
C2721			ELECTROLYTIC CAP. 10UF/16V M	1
C2721			CAP ELECTROLYTIC 10UF/16V/M	1
C2722			CHIP CERAMIC CAP. CH J 220PF/50V	1
C2723			CHIP CERAMIC CAP. CH J 220PF/50V	1
C2724			CHIP CERAMIC CAP. CH J 39PF/50V	1
C2725			CHIP CERAMIC CAP. CH J 39PF/50V	1
C2726			ELECTROLYTIC CAP. 10UF/16V M	1
C2726			CAP ELECTROLYTIC 10UF/16V/M	1
C2727			ELECTROLYTIC CAP. 10UF/16V M	1
C2727			CAP ELECTROLYTIC 10UF/16V/M	1
C2730			CHIP CERAMIC CAP.(1608) F Z 0.1UF/50V	1
C2731			CHIP CERAMIC CAP.(1608) F Z 0.1UF/50V	1
C2732			ELECTROLYTIC CAP. 10UF/16V M	1
C2732			CAP ELECTROLYTIC 10UF/16V/M	1
C2733			ELECTROLYTIC CAP. 10UF/16V M	1
C2733			CAP ELECTROLYTIC 10UF/16V/M	1
C2734			CHIP CERAMIC CAP. CH J 220PF/50V	1
C2735			CHIP CERAMIC CAP. CH J 220PF/50V	1
C2736			CHIP CERAMIC CAP. CH J 39PF/50V	1
C2737			CHIP CERAMIC CAP. CH J 39PF/50V	1
C2738			ELECTROLYTIC CAP. 10UF/16V M	1
C2738			CAP ELECTROLYTIC 10UF/16V/M	1
C2739			ELECTROLYTIC CAP. 10UF/16V M	1
C2739			CAP ELECTROLYTIC 10UF/16V/M	1
C2760			ELECTROLYTIC CAP. 1000UF/6.3V M	1
C2760			CAP ELECTROLYTIC 1000UF/6.3V/M	1
C2762			ELECTROLYTIC CAP. 1000UF/6.3V M	1
C2762			CAP ELECTROLYTIC 1000UF/6.3V/M	1
CONNECTORS				
CN2000			FFC CONNECTOR IMSA-9615S-28A-PP-A	1
CN2000			CONNECTOR FPC 28P 00 6232 028 006 800+	1
CN2001			FFC CONNECTOR IMSA-9615S-18A-PP-A	1
CN2001			CONNECTOR FPC 18P 00 6232 018 006 800+	1
CN2004			PH CONNECTOR TOP 2P B2B-PH-K-S (LF)(SN)	1
CN2600			BOARD CONNECTOR 23P(PB FREE) 127301123K2	1
CN2601			FFC CONNECTOR 15P IMSA-9615S-15A-PP-A	1
CN2601			CONNECTOR FPC 15P 00 6232 015 006 800+	1
CN2701			FFC CONNECTOR 14P IMSA-9615S-14A-PP-A	1
CN2701			CONNECTOR FPC 14P 00 6232 014 006 800+	1
DIODES				
D2000			DIODE SWITCHING 1N4148-F0021	1
D2000			SWITCHING DIODE 1SS133(T-77)	1
D2000			DIODE SWITCHING HSS4148TE-E	1
D2001			DIODE SWITCHING 1N4148-F0021	1

ELECTRICAL PARTS LIST				BDP7200/12
Pos.No.	▲	12 NC	Description	
D2001			SWITCHING DIODE 1SS133(T-77)	1
D2001			DIODE SWITCHING HSS4148TE-E	1
D2002			DIODE SWITCHING 1N4148-F0021	1
D2002			SWITCHING DIODE 1SS133(T-77)	1
D2002			DIODE SWITCHING HSS4148TE-E	1
D2003			DIODE ZENER 36BSA-T26	1
D2003			ZENER DIODE MTZJT-7736A	1
D2004			DIODE SWITCHING 1N4148-F0021	1
D2004			SWITCHING DIODE 1SS133(T-77)	1
D2004			DIODE SWITCHING HSS4148TE-E	1
D2005			DIODE ZENER 12BSB-T26	1
D2005			ZENER DIODE MTZJT-7712B	1
D2006			DIODE SWITCHING 1N4148-F0021	1
D2006			SWITCHING DIODE 1SS133(T-77)	1
D2006			DIODE SWITCHING HSS4148TE-E	1
D2007			DIODE SWITCHING 1N4148-F0021	1
D2007			SWITCHING DIODE 1SS133(T-77)	1
D2007			DIODE SWITCHING HSS4148TE-E	1
D2201			METAL OXIDE FILM RES. 2W J 22 OHM	1
D2201			METAL OXIDE FILM RES. 2W J 22 OHM	1
D2202			DIODE SWITCHING 1N4148-F0021	1
D2202			SWITCHING DIODE 1SS133(T-77)	1
D2202			DIODE SWITCHING HSS4148TE-E	1
D2280			DIODE ZENER 5V6BSB-T26	1
D2280			ZENER DIODE MTZJT-775.6B	1
D2301			DIODE ZENER 5V6BSC-T26	1
D2301			ZENER DIODE MTZJT-775.6C	1
D2302			METAL OXIDE FILM RES. 2W J 22 OHM	1
D2302			METAL OXIDE FILM RES. 2W J 22 OHM	1
D2600			DIODE SWITCHING 1N4148-F0021	1
D2600			SWITCHING DIODE 1SS133(T-77)	1
D2600			DIODE SWITCHING HSS4148TE-E	1
D2601			DIODE SWITCHING 1N4148-F0021	1
D2601			SWITCHING DIODE 1SS133(T-77)	1
D2601			DIODE SWITCHING HSS4148TE-E	1
D2605			DIODE SWITCHING 1N4148-F0021	1
D2605			SWITCHING DIODE 1SS133(T-77)	1
D2605			DIODE SWITCHING HSS4148TE-E	1
D2606			DIODE ZENER 11BSC-T26	1
D2606			ZENER DIODE MTZJT-7711C	1
D2608			DIODE SWITCHING 1N4148-F0021	1
D2608			SWITCHING DIODE 1SS133(T-77)	1
D2608			DIODE SWITCHING HSS4148TE-E	1
D2609			DIODE SWITCHING 1N4148-F0021	1
D2609			SWITCHING DIODE 1SS133(T-77)	1
D2609			DIODE SWITCHING HSS4148TE-E	1
D2610			DIODE SWITCHING 1N4148-F0021	1
D2610			SWITCHING DIODE 1SS133(T-77)	1
D2610			DIODE SWITCHING HSS4148TE-E	1
D2611			DIODE SWITCHING 1N4148-F0021	1
D2611			SWITCHING DIODE 1SS133(T-77)	1
D2611			DIODE SWITCHING HSS4148TE-E	1
D2612			DIODE SWITCHING 1N4148-F0021	1
D2612			SWITCHING DIODE 1SS133(T-77)	1
D2612			DIODE SWITCHING HSS4148TE-E	1
D2613			DIODE SWITCHING 1N4148-F0021	1
D2613			SWITCHING DIODE 1SS133(T-77)	1
D2613			DIODE SWITCHING HSS4148TE-E	1
D2614			DIODE SWITCHING 1N4148-F0021	1
D2614			SWITCHING DIODE 1SS133(T-77)	1
D2614			DIODE SWITCHING HSS4148TE-E	1
ICS				
IC2000			IC SUB MICON MN101C77AFS3	1
If IC2001 is PST3630NR, then C2013 is 0.1UF.				
IC2001			RESET IC IC-PST3630NR	1

ELECTRICAL PARTS LIST				BDP7200/12
Pos.No.	▲	12 NC	Description	
C2013			CHIP CERAMIC CAP.(1608) B K 0.1UF/25V	1
If IC2001 is PST8430NR, then C2013 is 0.01UF.				
IC2001			RESET IC IC-PST8430NR	1
C2013			CHIP CERAMIC CAP. B K 0.01UF/50V	1
IC2200			IC OP AMP UTC4580E	1
IC2300			VIDEO DRIVER BH7602FS-E2	1
IC2301			DRIVER FOR DVD MM1636XWRE	1
IC2600			IC VOLTAGE REGULATOR PQ070XF02SZH	1
IC2601			IC REGULATOR PQ035ZN01ZPH	1
IC2700			IC OP AMP UTC4580E	1
IC2701			IC OP AMP UTC4580E	1
IC2702			IC OP AMP UTC4580E	1
COILS				
L2100			INDUCTOR(0.47UH K) LAP02TAR47K	1
L2180			PCB JUMPER D0.6-P5.0	1
L2280			PCB JUMPER D0.6-P5.0	1
L2300			RADIAL TYPE CHOKE COIL CW68-470K-841040NP	1
L2300			CHOKE COIL 47UH-K	1
L2301			CHIP RES.(1608) 1/10W 0 OHM	1
L2301			RES CHIP 1608 1/10W J 0 OHM	1
L2400			CHOKE COIL 22UH-K	1
L2400			CHOKE COIL 22UH-K	1
L2600			CHOKE COIL 22UH-K	1
L2600			CHOKE COIL 22UH-K	1
L2601			CHOKE COIL 22UH-K	1
L2601			CHOKE COIL 22UH-K	1
TRANSISTORS				
Q2000			TRANSISTOR KTA1267-Y-AT/P	1
Q2000			PNP TRANSISTOR 2SA1980M Y	1
Q2001			NPN TRANSISTOR KRC103M-AT/P	1
Q2001			NPN TRANSISTOR RES-IN SRC1203MAT	1
Q2003			CHIP TRANSISTOR 2SA1530A-T112-1Z	1
Q2003			CHIP TRANSISTOR KTA1504S-Y-RTK/P	1
Q2003			PNP TRANSISTOR SMD 2SA1980SFY	1
Q2003			PNP TRANSISTOR EPITAXIAL SMD ISA1530AC1-T112U-1 Z	1
Q2005			TRANSISTOR KTC3198-Y-AT/P	1
Q2005			NPN TRANSISTOR 2SC5343Y-AT	1
Q2012			TRANSISTOR KTA1267-Y-AT/P	1
Q2012			PNP TRANSISTOR 2SA1980M Y	1
Q2013			TRANSISTOR KTC3199-GR-AT/P	1
Q2013			NPN TRANSISTOR 2SC5343MG-AT	1
Q2014			TRANSISTOR KTA1267-Y-AT/P	1
Q2014			PNP TRANSISTOR 2SA1980M Y	1
Q2100			TRANSISTOR KTC3199-GR-AT/P	1
Q2100			NPN TRANSISTOR 2SC5343MG-AT	1
Q2101			TRANSISTOR KTC3199-GR-AT/P	1
Q2101			NPN TRANSISTOR 2SC5343MG-AT	1
Q2200			RES. BUILT-IN TRANSISTOR KRA105M-AT/P	1
Q2200			PNP TRANSISTOR RES-IN SRA2205M	1
Q2201			RES. BUILT-IN TRANSISTOR KRA105M-AT/P	1
Q2201			PNP TRANSISTOR RES-IN SRA2205M	1
Q2202			MUTE TRANSISTOR 2SD2144S	1
Q2203			MUTE TRANSISTOR 2SD2144S	1
Q2204			TRANSISTOR KTA1267-Y-AT/P	1
Q2204			PNP TRANSISTOR 2SA1980M Y	1
Q2205			TRANSISTOR KTC3199-GR-AT/P	1
Q2205			NPN TRANSISTOR 2SC5343MG-AT	1
Q2280			TRANSISTOR KTC3205-Y-AT/P	1
Q2280			NPN TRANSISTOR STD1862LY-AT	1

ELECTRICAL PARTS LIST				BDP7200/12
Pos.No.	▲	12 NC	Description	
Q2300			TRANSISTOR (PB FREE) KTA1271-Y-AT/P	1
Q2300			PNP TRANSISTOR 2SA1981Y-AT	1
Q2301			TRANSISTOR KTC3199-GR-AT/P	1
Q2301			NPN TRANSISTOR 2SC5343MG-AT	1
Q2302			TRANSISTOR KTC3203-Y-AT/P	1
Q2302			NPN TRANSISTOR 2SC5344 Y	1
Q2600			NPN TRANSISTOR KRC103M-AT/P	1
Q2600			NPN TRANSISTOR RES-IN SRC1203MAT	1
Q2601			TRANSISTOR KTC3199-GR-AT/P	1
Q2601			NPN TRANSISTOR 2SC5343MG-AT	1
Q2602			TRANSISTOR KTA1267-Y-AT/P	1
Q2602			PNP TRANSISTOR 2SA1980M Y	1
Q2603			TRANSISTOR (PB FREE) KTA1271-Y-AT/P	1
Q2603			PNP TRANSISTOR 2SA1981Y-AT	1
Q2604			TRANSISTOR KTA1266-Y-AT/P	1
Q2604			PNP TRANSISTOR 2SA1980Y-AT	1
Q2605			TRANSISTOR KTC3203-Y-AT/P	1
Q2605			NPN TRANSISTOR 2SC5344 Y	1
Q2606			TRANSISTOR KTA1273-Y-AT/P	1
Q2606			PNP TRANSISTOR STB1277LY-AT	1
Q2607			TRANSISTOR(PB FREE) KTC2026-Y/P	1
Q2607			NPN TRANSISTOR STC403	1
Q2700			RES. BUILT-IN TRANSISTOR KRA105M-AT/P	1
Q2700			PNP TRANSISTOR RES-IN SRA2205M	1
Q2701			RES. BUILT-IN TRANSISTOR KRA105M-AT/P	1
Q2701			PNP TRANSISTOR RES-IN SRA2205M	1
Q2702			MUTE TRANSISTOR 2SD2144S	1
Q2703			MUTE TRANSISTOR 2SD2144S	1
Q2704			RES. BUILT-IN TRANSISTOR KRA105M-AT/P	1
Q2704			PNP TRANSISTOR RES-IN SRA2205M	1
Q2705			MUTE TRANSISTOR 2SD2144S	1
Q2706			MUTE TRANSISTOR 2SD2144S	1
Q2707			RES. BUILT-IN TRANSISTOR KRA105M-AT/P	1
Q2707			PNP TRANSISTOR RES-IN SRA2205M	1
Q2708			RES. BUILT-IN TRANSISTOR KRA105M-AT/P	1
Q2708			PNP TRANSISTOR RES-IN SRA2205M	1
Q2709			MUTE TRANSISTOR 2SD2144S	1
Q2710			MUTE TRANSISTOR 2SD2144S	1
RESISTORS				
R2000			CHIP RES. 1/10W J 47K OHM	1
R2000			RES CHIP 1608 1/10W J 47K OHM	1
R2002			CHIP RES. 1/10W J 5.6K OHM	1
R2002			RES CHIP 1608 1/10W J 5.6K OHM	1
R2005			CHIP RES. 1/10W J 10K OHM	1
R2005			RES CHIP 1608 1/10W J 10K OHM	1
R2006			CARBON RES. 1/4W J 300 OHM	1
R2012			CHIP RES. 1/10W J 10K OHM	1
R2012			RES CHIP 1608 1/10W J 10K OHM	1
R2014			CHIP RES. 1/10W J 10K OHM	1
R2014			RES CHIP 1608 1/10W J 10K OHM	1
R2015			CHIP RES. 1/10W J 1K OHM	1
R2015			RES CHIP 1608 1/10W J 1.0K OHM	1
R2016			CHIP RES. 1/10W J 10K OHM	1
R2016			RES CHIP 1608 1/10W J 10K OHM	1
R2017			CHIP RES. 1/10W J 10K OHM	1
R2017			RES CHIP 1608 1/10W J 10K OHM	1
R2018			CHIP RES. 1/10W J 10K OHM	1

ELECTRICAL PARTS LIST				BDP7200/12
Pos.No.	▲	12 NC	Description	
R2018			RES CHIP 1608 1/10W J 10K OHM	1
R2019			CHIP RES. 1/10W J 10K OHM	1
R2019			RES CHIP 1608 1/10W J 10K OHM	1
R2020			CHIP RES. 1/10W J 10K OHM	1
R2020			RES CHIP 1608 1/10W J 10K OHM	1
R2021			CHIP RES. 1/10W J 10K OHM	1
R2021			RES CHIP 1608 1/10W J 10K OHM	1
R2022			CHIP RES. 1/10W J 10K OHM	1
R2022			RES CHIP 1608 1/10W J 10K OHM	1
R2023			CHIP RES. 1/10W J 10K OHM	1
R2023			RES CHIP 1608 1/10W J 10K OHM	1
R2024			CHIP RES. 1/10W J 100 OHM	1
R2024			RES CHIP 1608 1/10W J 100 OHM	1
R2025			CHIP RES. 1/10W J 100 OHM	1
R2025			RES CHIP 1608 1/10W J 100 OHM	1
R2026			CHIP RES. 1/10W J 10K OHM	1
R2026			RES CHIP 1608 1/10W J 10K OHM	1
R2028			CHIP RES. 1/10W J 10K OHM	1
R2028			RES CHIP 1608 1/10W J 10K OHM	1
R2029			CHIP RES.(1608) 1/10W 0 OHM	1
R2029			RES CHIP 1608 1/10W J 0 OHM	1
R2030			CHIP RES.(1608) 1/10W 0 OHM	1
R2030			RES CHIP 1608 1/10W J 0 OHM	1
R2031			CHIP RES. 1/10W J 10K OHM	1
R2031			RES CHIP 1608 1/10W J 10K OHM	1
R2032			CHIP RES. 1/10W J 1K OHM	1
R2032			RES CHIP 1608 1/10W J 1.0K OHM	1
R2033			CHIP RES. 1/10W J 470 OHM	1
R2033			RES CHIP 1608 1/10W J 470 OHM	1
R2034			CHIP RES. 1/10W J 100 OHM	1
R2034			RES CHIP 1608 1/10W J 100 OHM	1
R2035			CHIP RES. 1/10W J 10K OHM	1
R2035			RES CHIP 1608 1/10W J 10K OHM	1
R2036			CHIP RES. 1/10W J 6.8K OHM	1
R2036			RES CHIP 1608 1/10W J 6.8K OHM	1
R2037			CHIP RES. 1/10W J 100 OHM	1
R2037			RES CHIP 1608 1/10W J 100 OHM	1
R2038			CHIP RES. 1/10W J 10K OHM	1
R2038			RES CHIP 1608 1/10W J 10K OHM	1
R2043			CHIP RES. 1/10W J 10K OHM	1
R2043			RES CHIP 1608 1/10W J 10K OHM	1
R2044			CHIP RES.(1608) 1/10W 0 OHM	1
R2044			RES CHIP 1608 1/10W J 0 OHM	1
R2045			CHIP RES. 1/10W J 10K OHM	1
R2045			RES CHIP 1608 1/10W J 10K OHM	1
R2047			CHIP RES. 1/10W J 10K OHM	1
R2047			RES CHIP 1608 1/10W J 10K OHM	1
R2048			CHIP RES. 1/10W J 10K OHM	1
R2048			RES CHIP 1608 1/10W J 10K OHM	1
R2049			CHIP RES. 1/10W J 10K OHM	1
R2049			RES CHIP 1608 1/10W J 10K OHM	1
R2050			CHIP RES. 1/10W J 10K OHM	1
R2050			RES CHIP 1608 1/10W J 10K OHM	1
R2052			CHIP RES. 1/10W J 10K OHM	1
R2052			RES CHIP 1608 1/10W J 10K OHM	1
R2053			CHIP RES. 1/10W J 10K OHM	1
R2053			RES CHIP 1608 1/10W J 10K OHM	1
R2055			CHIP RES. 1/10W J 47K OHM	1
R2055			RES CHIP 1608 1/10W J 47K OHM	1
R2057			CHIP RES. 1/10W J 10K OHM	1
R2057			RES CHIP 1608 1/10W J 10K OHM	1
R2058			CHIP RES. 1/10W J 10K OHM	1
R2058			RES CHIP 1608 1/10W J 10K OHM	1
R2059			CHIP RES.(1608) 1/10W 0 OHM	1
R2059			RES CHIP 1608 1/10W J 0 OHM	1
R2067			CARBON RES. 1/4W J 300 OHM	1
R2068			CHIP RES. 1/10W J 10K OHM	1
R2068			RES CHIP 1608 1/10W J 10K OHM	1
R2078			CHIP RES. 1/10W J 270 OHM	1

ELECTRICAL PARTS LIST				BDP7200/12
Pos.No.	▲	12 NC	Description	
R2078			RES CHIP 1608 1/10W J 270 OHM	1
R2091			CARBON RES. 1/4W J 47K OHM	1
R2092			CARBON RES. 1/4W J 47K OHM	1
R2094			CHIP RES. 1/10W J 47K OHM	1
R2094			RES CHIP 1608 1/10W J 47K OHM	1
R2095			CHIP RES. 1/10W J 3.9K OHM	1
R2095			RES CHIP 1608 1/10W J 3.9K OHM	1
R2096			CHIP RES.(1608) 1/10W 0 OHM	1
R2096			RES CHIP 1608 1/10W J 0 OHM	1
R2099			CHIP RES.(1608) 1/10W 0 OHM	1
R2099			RES CHIP 1608 1/10W J 0 OHM	1
R2100			CHIP RES. 1/10W J 2K OHM	1
R2100			RES CHIP 1608 1/10W J 2.0K OHM	1
R2101			CHIP RES. 1/10W J 2.2K OHM	1
R2101			RES CHIP 1608 1/10W J 2.2K OHM	1
R2102			CHIP RES. 1/10W J 2.2K OHM	1
R2102			RES CHIP 1608 1/10W J 2.2K OHM	1
R2103			CHIP RES. 1/10W J 220 OHM	1
R2103			RES CHIP 1608 1/10W J 220 OHM	1
R2104			CHIP RES. 1/10W J 75 OHM	1
R2104			RES CHIP 1608 1/10W J 75 OHM	1
R2105			CHIP RES. 1/10W J 100K OHM	1
R2105			RES CHIP 1608 1/10W J 100K OHM	1
R2109			CHIP RES.(1608) 1/10W 0 OHM	1
R2109			RES CHIP 1608 1/10W J 0 OHM	1
R2110			CHIP RES.(1608) 1/10W 0 OHM	1
R2110			RES CHIP 1608 1/10W J 0 OHM	1
R2115			CHIP RES. 1/10W J 10K OHM	1
R2115			RES CHIP 1608 1/10W J 10K OHM	1
R2116			CARBON RES. 1/4W J 5.6 OHM	1
R2117			CHIP RES. 1/10W J 1K OHM	1
R2117			RES CHIP 1608 1/10W J 1.0K OHM	1
R2118			CARBON RES. 1/4W J 10 OHM	1
R2124			CHIP RES. 1/10W J 270 OHM	1
R2124			RES CHIP 1608 1/10W J 270 OHM	1
R2125			CHIP RES. 1/10W J 270 OHM	1
R2125			RES CHIP 1608 1/10W J 270 OHM	1
R2126			CHIP RES.(1608) 1/10W 0 OHM	1
R2126			RES CHIP 1608 1/10W J 0 OHM	1
R2127			CHIP RES. 1/10W J 10K OHM	1
R2127			RES CHIP 1608 1/10W J 10K OHM	1
R2129			CHIP RES.(1608) 1/10W 0 OHM	1
R2129			RES CHIP 1608 1/10W J 0 OHM	1
R2130			CHIP RES.(1608) 1/10W 0 OHM	1
R2130			RES CHIP 1608 1/10W J 0 OHM	1
R2201			METAL OXIDE FILM RES. 2W J 22 OHM	1
R2201			METAL OXIDE FILM RES. 2W J 22 OHM	1
R2208			CHIP RES. 1/10W F 8.2K OHM	1
R2208			CHIP RES.(1608) 1/10W F 8.2K OHM	1
R2208			RES CHIP 1608 1/10W F 8.20K OHM	1
R2209			CHIP RES. 1/10W F 8.2K OHM	1
R2209			CHIP RES.(1608) 1/10W F 8.2K OHM	1
R2209			RES CHIP 1608 1/10W F 8.20K OHM	1
R2210			CHIP RES. 1/10W J 12K OHM	1
R2210			RES CHIP 1608 1/10W J 12K OHM	1
R2211			CHIP RES. 1/10W J 12K OHM	1
R2211			RES CHIP 1608 1/10W J 12K OHM	1
R2212			CHIP RES. 1/10W F 12K OHM	1
R2212			CHIP RES.(1608) 1/10W F 12K OHM	1
R2212			RES CHIP 1608 1/10W F 12.0K OHM	1
R2213			CHIP RES. 1/10W F 12K OHM	1
R2213			CHIP RES.(1608) 1/10W F 12K OHM	1
R2213			RES CHIP 1608 1/10W F 12.0K OHM	1
R2214			CHIP RES. 1/10W J 100K OHM	1
R2214			RES CHIP 1608 1/10W J 100K OHM	1
R2215			CHIP RES. 1/10W J 100K OHM	1
R2215			RES CHIP 1608 1/10W J 100K OHM	1

ELECTRICAL PARTS LIST				BDP7200/12
Pos.No.	▲	12 NC	Description	
R2216			CHIP RES. 1/10W J 220 OHM	1
R2216			RES CHIP 1608 1/10W J 220 OHM	1
R2217			CHIP RES. 1/10W J 1K OHM	1
R2217			RES CHIP 1608 1/10W J 1.0K OHM	1
R2218			CHIP RES. 1/10W J 220 OHM	1
R2218			RES CHIP 1608 1/10W J 220 OHM	1
R2219			CHIP RES. 1/10W J 1K OHM	1
R2219			RES CHIP 1608 1/10W J 1.0K OHM	1
R2220			CHIP RES. 1/10W J 100K OHM	1
R2220			RES CHIP 1608 1/10W J 100K OHM	1
R2221			CHIP RES. 1/10W J 100K OHM	1
R2221			RES CHIP 1608 1/10W J 100K OHM	1
R2223			CHIP RES. 1/10W J 4.7K OHM	1
R2223			RES CHIP 1608 1/10W J 4.7K OHM	1
R2224			CHIP RES. 1/10W J 2.2K OHM	1
R2224			RES CHIP 1608 1/10W J 2.2K OHM	1
R2226			CHIP RES. 1/10W J 1K OHM	1
R2226			RES CHIP 1608 1/10W J 1.0K OHM	1
R2227			CHIP RES. 1/10W J 470 OHM	1
R2227			RES CHIP 1608 1/10W J 470 OHM	1
R2228			CHIP RES. 1/10W J 470 OHM	1
R2228			RES CHIP 1608 1/10W J 470 OHM	1
R2229			CHIP RES. 1/10W J 2.2K OHM	1
R2229			RES CHIP 1608 1/10W J 2.2K OHM	1
R2230			CHIP RES. 1/10W J 4.7K OHM	1
R2230			RES CHIP 1608 1/10W J 4.7K OHM	1
R2280			CHIP RES. 1/10W J 100 OHM	1
R2280			RES CHIP 1608 1/10W J 100 OHM	1
R2281			CHIP RES. 1/10W J 100 OHM	1
R2281			RES CHIP 1608 1/10W J 100 OHM	1
R2284			CHIP RES. 1/10W J 20 OHM	1
R2284			RES CHIP 1608 1/10W J 20 OHM	1
R2285			CHIP RES. 1/10W J 10K OHM	1
R2285			RES CHIP 1608 1/10W J 10K OHM	1
R2286			CHIP RES. 1/10W J 10K OHM	1
R2286			RES CHIP 1608 1/10W J 10K OHM	1
R2287			CHIP RES. 1/10W J 10K OHM	1
R2287			RES CHIP 1608 1/10W J 10K OHM	1
R2288			CHIP RES. 1/10W J 1.8K OHM	1
R2288			RES CHIP 1608 1/10W J 1.8K OHM	1
R2308			CHIP RES. 1/10W J 10K OHM	1
R2308			RES CHIP 1608 1/10W J 10K OHM	1
R2309			CHIP RES. 1/10W J 1.5K OHM	1
R2309			RES CHIP 1608 1/10W J 1.5K OHM	1
R2310			CHIP RES. 1/10W J 75 OHM	1
R2310			RES CHIP 1608 1/10W J 75 OHM	1
R2311			CHIP RES. 1/10W J 75 OHM	1
R2311			RES CHIP 1608 1/10W J 75 OHM	1
R2312			CHIP RES. 1/10W J 75 OHM	1
R2312			RES CHIP 1608 1/10W J 75 OHM	1
R2313			CHIP RES. 1/10W J 75 OHM	1
R2313			RES CHIP 1608 1/10W J 75 OHM	1
R2323			CHIP RES. 1/10W J 10K OHM	1
R2323			RES CHIP 1608 1/10W J 10K OHM	1
R2324			CHIP RES. 1/10W J 1.8K OHM	1
R2324			RES CHIP 1608 1/10W J 1.8K OHM	1
R2328			CHIP RES.(1608) 1/10W 0 OHM	1
R2328			RES CHIP 1608 1/10W J 0 OHM	1
R2330			CHIP RES. 1/10W J 100 OHM	1
R2330			RES CHIP 1608 1/10W J 100 OHM	1
R2331			CHIP RES. 1/10W J 100 OHM	1
R2331			RES CHIP 1608 1/10W J 100 OHM	1
R2332			METAL OXIDE FILM RES. 2W J 22 OHM	1
R2332			METAL OXIDE FILM RES. 2W J 22 OHM	1
R2400			CHIP RES.(1608) 1/10W 0 OHM	1
R2400			RES CHIP 1608 1/10W J 0 OHM	1

ELECTRICAL PARTS LIST				BDP7200/12
Pos.No.	▲	12 NC	Description	
R2401			CHIP VARIATOR AVR-M1608C120MT6AB	1
R2402			CHIP RES.(1608) 1/10W 0 OHM	1
R2402			RES CHIP 1608 1/10W J 0 OHM	1
R2600			CHIP RES. 1/10W J 4.7K OHM	1
R2600			RES CHIP 1608 1/10W J 4.7K OHM	1
R2601			CHIP RES. 1/10W J 4.7K OHM	1
R2601			RES CHIP 1608 1/10W J 4.7K OHM	1
R2602			CHIP RES. 1/10W J 2.2K OHM	1
R2602			RES CHIP 1608 1/10W J 2.2K OHM	1
R2603			CHIP RES. 1/10W J 4.7K OHM	1
R2603			RES CHIP 1608 1/10W J 4.7K OHM	1
R2604			CARBON RES. 1/4W J 4.7K OHM	1
R2606			CHIP RES. 1/10W J 47K OHM	1
R2606			RES CHIP 1608 1/10W J 47K OHM	1
R2607			CHIP RES. 1/10W J 4.7K OHM	1
R2607			RES CHIP 1608 1/10W J 4.7K OHM	1
R2608			CHIP RES. 1/10W J 4.7K OHM	1
R2608			RES CHIP 1608 1/10W J 4.7K OHM	1
R2609			CHIP RES. 1/10W J 4.7K OHM	1
R2609			RES CHIP 1608 1/10W J 4.7K OHM	1
R2610			CARBON RES. 1/4W J 220 OHM	1
R2612			CHIP RES. 1/10W J 10K OHM	1
R2612			RES CHIP 1608 1/10W J 10K OHM	1
R2613			CHIP RES. 1/10W F 10K OHM	1
R2613			CHIP RES. 1/10W F 10K OHM	1
R2613			RES CHIP 1608 1/10W F 10.0K OHM	1
R2615			CHIP RES. 1/10W F 1.0K OHM	1
R2615			CHIP RES. 1/10W F 1K OHM	1
R2615			RES CHIP 1608 1/10W F 1.00K OHM	1
R2616			CHIP RES. 1/10W F 15K OHM	1
R2616			CHIP RES. 1/10W F 15K OHM	1
R2616			RES CHIP 1608 1/10W F 15.0K OHM	1
R2617			CHIP RES. 1/10W F 2K OHM	1
R2617			CHIP RES. 1/10W F 2K OHM	1
R2617			RES CHIP 1608 1/10W F 2.00K OHM	1
R2619			CHIP RES. 1/10W F 1.1K OHM	1
R2619			CHIP RES. 1/10W F 1.1K OHM	1
R2619			RES CHIP 1608 1/10W F 1.10K OHM	1
R2620			CHIP RES. 1/10W J 4.7K OHM	1
R2620			RES CHIP 1608 1/10W J 4.7K OHM	1
R2621			CARBON RES. 1/4W J 680 OHM	1
R2622			CARBON RES. 1/4W J 82 OHM	1
R2623			PCB JUMPER D0.6-P5.0	1
R2626			CHIP RES.(1608) 1/10W 0 OHM	1
R2626			RES CHIP 1608 1/10W J 0 OHM	1
R2632			CHIP RES.(1608) 1/10W 0 OHM	1
R2632			RES CHIP 1608 1/10W J 0 OHM	1
R2636			CARBON RES. 1/4W J 33 OHM	1
R2700			CHIP RES. 1/10W F 8.2K OHM	1
R2700			CHIP RES.(1608) 1/10W F 8.2K OHM	1
R2700			RES CHIP 1608 1/10W F 8.20K OHM	1
R2701			CHIP RES. 1/10W F 8.2K OHM	1
R2701			CHIP RES.(1608) 1/10W F 8.2K OHM	1
R2701			RES CHIP 1608 1/10W F 8.20K OHM	1
R2702			CHIP RES. 1/10W F 8.2K OHM	1
R2702			CHIP RES.(1608) 1/10W F 8.2K OHM	1
R2702			RES CHIP 1608 1/10W F 8.20K OHM	1
R2703			CHIP RES. 1/10W F 8.2K OHM	1
R2703			CHIP RES.(1608) 1/10W F 8.2K OHM	1
R2703			RES CHIP 1608 1/10W F 8.20K OHM	1
R2704			CHIP RES. 1/10W F 8.2K OHM	1
R2704			CHIP RES.(1608) 1/10W F 8.2K OHM	1
R2704			RES CHIP 1608 1/10W F 8.20K OHM	1
R2714			CHIP RES. 1/10W J 100K OHM	1
R2714			RES CHIP 1608 1/10W J 100K OHM	1
R2715			CHIP RES. 1/10W J 4.7K OHM	1
R2715			RES CHIP 1608 1/10W J 4.7K OHM	1
R2716			CHIP RES. 1/10W J 4.7K OHM	1

ELECTRICAL PARTS LIST				BDP7200/12
Pos.No.	▲	12 NC	Description	
R2716			RES CHIP 1608 1/10W J 4.7K OHM	1
R2717			CHIP RES. 1/10W J 2.2K OHM	1
R2717			RES CHIP 1608 1/10W J 2.2K OHM	1
R2720			CHIP RES. 1/10W F 8.2K OHM	1
R2720			RES CHIP 1608 1/10W F 8.20K OHM	1
R2721			CHIP RES. 1/10W J 12K OHM	1
R2721			RES CHIP 1608 1/10W J 12K OHM	1
R2722			CHIP RES. 1/10W J 12K OHM	1
R2722			RES CHIP 1608 1/10W J 12K OHM	1
R2723			CHIP RES. 1/10W F 12K OHM	1
R2723			CHIP RES.(1608) 1/10W F 12K OHM	1
R2723			RES CHIP 1608 1/10W F 12.0K OHM	1
R2724			CHIP RES. 1/10W F 12K OHM	1
R2724			CHIP RES.(1608) 1/10W F 12K OHM	1
R2724			RES CHIP 1608 1/10W F 12.0K OHM	1
R2725			CHIP RES. 1/10W F 12K OHM	1
R2725			CHIP RES.(1608) 1/10W F 12K OHM	1
R2725			RES CHIP 1608 1/10W F 12.0K OHM	1
R2726			CHIP RES. 1/10W F 12K OHM	1
R2726			CHIP RES.(1608) 1/10W F 12K OHM	1
R2726			RES CHIP 1608 1/10W F 12.0K OHM	1
R2727			CHIP RES. 1/10W F 12K OHM	1
R2727			CHIP RES.(1608) 1/10W F 12K OHM	1
R2727			RES CHIP 1608 1/10W F 12.0K OHM	1
R2728			CHIP RES. 1/10W F 12K OHM	1
R2728			CHIP RES.(1608) 1/10W F 12K OHM	1
R2728			RES CHIP 1608 1/10W F 12.0K OHM	1
R2732			CHIP RES. 1/10W J 100K OHM	1
R2732			RES CHIP 1608 1/10W J 100K OHM	1
R2733			CHIP RES. 1/10W J 100K OHM	1
R2733			RES CHIP 1608 1/10W J 100K OHM	1
R2734			CHIP RES. 1/10W J 220 OHM	1
R2734			RES CHIP 1608 1/10W J 220 OHM	1
R2735			CHIP RES. 1/10W J 220 OHM	1
R2735			RES CHIP 1608 1/10W J 220 OHM	1
R2736			CHIP RES. 1/10W J 470 OHM	1
R2736			RES CHIP 1608 1/10W J 470 OHM	1
R2737			CHIP RES. 1/10W J 470 OHM	1
R2737			RES CHIP 1608 1/10W J 470 OHM	1
R2738			CHIP RES. 1/10W J 1K OHM	1
R2738			RES CHIP 1608 1/10W J 1.0K OHM	1
R2739			CHIP RES. 1/10W J 1K OHM	1
R2739			RES CHIP 1608 1/10W J 1.0K OHM	1
R2740			CHIP RES. 1/10W J 2.2K OHM	1
R2740			RES CHIP 1608 1/10W J 2.2K OHM	1
R2741			CHIP RES. 1/10W J 100K OHM	1
R2741			RES CHIP 1608 1/10W J 100K OHM	1
R2742			CHIP RES. 1/10W J 1K OHM	1
R2742			RES CHIP 1608 1/10W J 1.0K OHM	1
R2743			CHIP RES. 1/10W J 1K OHM	1
R2743			RES CHIP 1608 1/10W J 1.0K OHM	1
R2744			CHIP RES. 1/10W J 2.2K OHM	1
R2744			RES CHIP 1608 1/10W J 2.2K OHM	1
R2745			CHIP RES. 1/10W J 100K OHM	1
R2745			RES CHIP 1608 1/10W J 100K OHM	1
R2746			CHIP RES. 1/10W J 4.7K OHM	1
R2746			RES CHIP 1608 1/10W J 4.7K OHM	1
R2747			CHIP RES. 1/10W J 12K OHM	1
R2747			RES CHIP 1608 1/10W J 12K OHM	1
R2748			CHIP RES. 1/10W J 12K OHM	1
R2748			RES CHIP 1608 1/10W J 12K OHM	1
R2751			CHIP RES. 1/10W J 100K OHM	1
R2751			RES CHIP 1608 1/10W J 100K OHM	1
R2752			CHIP RES. 1/10W J 100K OHM	1
R2752			RES CHIP 1608 1/10W J 100K OHM	1
R2753			CHIP RES. 1/10W J 220 OHM	1
R2753			RES CHIP 1608 1/10W J 220 OHM	1
R2754			CHIP RES. 1/10W J 220 OHM	1

ELECTRICAL PARTS LIST				BDP7200/12
Pos.No.	▲	12 NC	Description	
R2754			RES CHIP 1608 1/10W J 220 OHM	1
R2755			CHIP RES. 1/10W J 470 OHM	1
R2755			RES CHIP 1608 1/10W J 470 OHM	1
R2756			CHIP RES. 1/10W J 470 OHM	1
R2756			RES CHIP 1608 1/10W J 470 OHM	1
R2757			CHIP RES. 1/10W J 1K OHM	1
R2757			RES CHIP 1608 1/10W J 1.0K OHM	1
R2758			CHIP RES. 1/10W J 4.7K OHM	1
R2758			RES CHIP 1608 1/10W J 4.7K OHM	1
R2759			CHIP RES. 1/10W J 4.7K OHM	1
R2759			RES CHIP 1608 1/10W J 4.7K OHM	1
R2759			RES CHIP 1608 1/10W J 4.7K OHM	1
R2760			CHIP RES. 1/10W J 12K OHM	1
R2760			RES CHIP 1608 1/10W J 12K OHM	1
R2761			CHIP RES. 1/10W J 12K OHM	1
R2761			RES CHIP 1608 1/10W J 12K OHM	1
R2764			CHIP RES. 1/10W J 100K OHM	1
R2764			RES CHIP 1608 1/10W J 100K OHM	1
R2764			RES CHIP 1608 1/10W J 100K OHM	1
R2765			CHIP RES. 1/10W J 100K OHM	1
R2765			RES CHIP 1608 1/10W J 100K OHM	1
R2766			CHIP RES. 1/10W J 220 OHM	1
R2766			RES CHIP 1608 1/10W J 220 OHM	1
R2767			CHIP RES. 1/10W J 220 OHM	1
R2767			RES CHIP 1608 1/10W J 220 OHM	1
R2767			RES CHIP 1608 1/10W J 220 OHM	1
R2768			CHIP RES. 1/10W J 470 OHM	1
R2768			RES CHIP 1608 1/10W J 470 OHM	1
R2769			CHIP RES. 1/10W J 470 OHM	1
R2769			RES CHIP 1608 1/10W J 470 OHM	1
R2770			CHIP RES. 1/10W J 1K OHM	1
R2770			RES CHIP 1608 1/10W J 1.0K OHM	1
R2771			CHIP RES. 1/10W J 1K OHM	1
R2771			RES CHIP 1608 1/10W J 1.0K OHM	1
R2772			CHIP RES. 1/10W J 2.2K OHM	1
R2772			RES CHIP 1608 1/10W J 2.2K OHM	1
R2773			CHIP RES. 1/10W J 2.2K OHM	1
R2773			RES CHIP 1608 1/10W J 2.2K OHM	1
R2774			CHIP RES. 1/10W J 100K OHM	1
R2774			RES CHIP 1608 1/10W J 100K OHM	1
R2775			CHIP RES. 1/10W J 100K OHM	1
R2775			RES CHIP 1608 1/10W J 100K OHM	1
R2793			CHIP RES. 1/10W J 1K OHM	1
R2793			RES CHIP 1608 1/10W J 1.0K OHM	1
R2795			CHIP RES. 1/10W J 1K OHM	1
R2795			RES CHIP 1608 1/10W J 1.0K OHM	1
POWER SW CBA				
CONNECTOR				
CN3100			WX1E5E10-002 3/195/AWG26	1
DIODES				
D3100			LED(RED) SLI-343U8R	1
D3100			LED(RED) LTL-1CHKEKNN	1
SWITCHES				
SW3100			TACT SWITCH SKQSAB	1
SW3100			TACT SWITCH KSM0612B	1
SW3100			TACT SWITCH TC-1104(H=5.0)	1
FRONT CBA				
FL3000			FL DM182-GINK	1
RS3000			SENSOR REMOTE RECEIVER KSM-712TH2E	1
CAPACITORS				
C3000			CHIP CERAMIC CAP.(1608) F Z 0.1UF/50V	1
C3001			ELECTROLYTIC CAP 22UF/50V M H7	1
C3002			CHIP CERAMIC CAP.(1608) F Z 0.1UF/50V	1
C3003			ELECTROLYTIC CAP. 100UF/6.3V M H7	1
C3005			CHIP CERAMIC CAP.(1608) B K 1000PF/50V	1
C3006			CHIP CERAMIC CAP.(1608) F Z 0.1UF/50V	1

ELECTRICAL PARTS LIST				BDP7200/12
Pos.No.	▲	12 NC	Description	
C3007			ELECTROLYTIC CAP. 100UF/6.3V M H7	1
C3008			CHIP CERAMIC CAP.(1608) B K 0.1UF/25V	1
CONNECTORS				
CN3000			WX1E5E10-003 18/155/1.0	1
CN3001			CONNECTOR PRINT OSU S3B-PH-K-S(LF)(SN)	1
COIL				
L3000			INDUCTOR(100UH K) LAP02TA101K	1
RESISTORS				
R3000			CHIP RES. 1/10W J 10 OHM	1
R3000			RES CHIP 1608 1/10W J 10 OHM	1
R3001			CHIP RES. 1/10W J 10 OHM	1
R3001			RES CHIP 1608 1/10W J 10 OHM	1
R3002			CHIP RES. 1/10W J 12K OHM	1
R3002			RES CHIP 1608 1/10W J 12K OHM	1
R3004			CHIP RES. 1/10W J 1K OHM	1
R3004			RES CHIP 1608 1/10W J 1.0K OHM	1
R3005			CHIP RES.(1608) 1/10W 0 OHM	1
R3005			RES CHIP 1608 1/10W J 0 OHM	1
R3006			CHIP RES.(1608) 1/10W 0 OHM	1
R3006			RES CHIP 1608 1/10W J 0 OHM	1
R3008			CHIP RES. 1/10W J 1K OHM	1
R3008			RES CHIP 1608 1/10W J 1.0K OHM	1
R3009			CHIP RES. 1/10W J 180 OHM	1
R3009			RES CHIP 1608 1/10W J 180 OHM	1
R3010			CHIP RES. 1/10W J 220 OHM	1
R3010			RES CHIP 1608 1/10W J 220 OHM	1
R3012			CHIP RES. 1/10W J 330 OHM	1
R3012			RES CHIP 1608 1/10W J 330 OHM	1
R3014			CHIP RES. 1/10W J 6.8K OHM	1
R3014			RES CHIP 1608 1/10W J 6.8K OHM	1
R3015			CHIP RES. 1/10W J 560 OHM	1
R3015			RES CHIP 1608 1/10W J 560 OHM	1
R3018			CHIP RES. 1/10W J 22 OHM	1
R3018			RES CHIP 1608 1/10W J 22 OHM	1
R3019			CHIP RES. 1/10W J 1.2K OHM	1
R3019			RES CHIP 1608 1/10W J 1.2K OHM	1
R3020			CHIP RES. 1/10W J 3.3K OHM	1
R3020			RES CHIP 1608 1/10W J 3.3K OHM	1
R3021			CHIP RES.(1608) 1/10W 0 OHM	1
R3021			RES CHIP 1608 1/10W J 0 OHM	1
R3039			CHIP RES.(1608) 1/10W 0 OHM	1
R3039			RES CHIP 1608 1/10W J 0 OHM	1
SWITCHES				
SW3000			TACT SWITCH SKQSAB	1
SW3000			TACT SWITCH KSM0612B	1
SW3000			TACT SWITCH TC-1104(H=5.0)	1
SW3001			TACT SWITCH SKQSAB	1
SW3001			TACT SWITCH KSM0612B	1
SW3001			TACT SWITCH TC-1104(H=5.0)	1
SW3002			TACT SWITCH SKQSAB	1
SW3002			TACT SWITCH KSM0612B	1
SW3002			TACT SWITCH TC-1104(H=5.0)	1
SW3003			TACT SWITCH SKQSAB	1
SW3003			TACT SWITCH KSM0612B	1
SW3003			TACT SWITCH TC-1104(H=5.0)	1
SW3004			TACT SWITCH SKQSAB	1
SW3004			TACT SWITCH KSM0612B	1
SW3004			TACT SWITCH TC-1104(H=5.0)	1
SW3005			TACT SWITCH SKQSAB	1
SW3005			TACT SWITCH KSM0612B	1
SW3005			TACT SWITCH TC-1104(H=5.0)	1
ASSY4 996510018702 POWER SUPPLY CBA 1				
Consists of the following:				
2L056			SCREW S-TIGHT M3X8 BIND HEAD+	1

ELECTRICAL PARTS LIST				BDP7200/12
Pos.No.	▲	12 NC	Description	
AC1002	▲		AC INLET YKE31-0148N	1
B49			POWER HEATSINK E4340UD	1
F1001	▲		FUSE TIME RAG FIH 250V 2.5A	1
F1001	▲		FUSE TIME RAG TSC2.5A250VSVDEUC3CP	1
FH1001			FUSE HOLDER MSF-015 LF (B110)	1
FH1002			FUSE HOLDER MSF-015 LF (B110)	1
J1010			BEAD CORE HF70BTL3.5X9B-AG	1
J1011			BEAD CORE HF70BTL3.5X9B-AG	1
RL1001			RELAY SDT-SS-105DM	1
RL1001			RELAY ALKP329	1
SA1001	▲		SURGE ABSORBER 470V+10PER	1
T1001	▲		TRANS BCK-35-0549	1
T1001	▲		TRANS 7785-S02	1
T1002	▲		TRANS BCK-16-033T	1
T1002	▲		TRANS 8727	1
CAPACITORS				
C1001			CERAMIC CAP. SL K 56PF/1KV	1
C1002	▲		LINE ACROSS CAP. 0.047UF/250V K	1
C1002	▲		METALIZED FILM CAP. 0.047UF/250V M	1
C1003	▲		SAFETY CAP. 2200PF/250V	1
C1003	▲		SAFETY CAP. 2200PF/250V	1
C1004			CHIP CERAMIC CAP.(1608) CH J 22PF/50V	1
C1005			CHIP CERAMIC CAP.(1608) B K 1000PF/50V	1
C1006			CHIP CERAMIC CAP.(1608) B K 0.022UF/50V	1
C1008			CAP ELECTROLYTIC 270UF/400V/M/25/45	1
C1008			ELECTROLYTIC CAP. 270UF/400V M	1
C1009			ELECTROLYTIC CAP. 47UF/35V M	1
C1009			CAP ELECTROLYTIC 47UF/35V/M	1
C1010			METALIZED FILM CAP. 0.0022UF/400V K	1
C1012			LINE ACROSS CAP. 0.047UF/250V K	1
C1012			METALIZED FILM CAP. 0.047UF/250V M	1
C1013			CHIP CERAMIC CAP.(1608) B K 0.01UF/50V	1
C1014			POLYESTER FILM CAP. (PB FREE) 0.0068UF/100V J	1
C1014			FILM CAP.(P) 0.0068UF/50V J	1
C1014			FILM CAP.(P) 0.0068UF/50V J	1
C1015			CERAMIC CAP. B K 470PF/500V	1
C1016			ELECTROLYTIC CAP. 220UF/16V M	1
C1016			CAP ELECTROLYTIC 220UF/16V/M	1
C1017			ELECTROLYTIC CAP. 1000UF/25V M	1
C1017			CAP ELECTROLYTIC 1000UF/25V/M	1
C1018			ELECTROLYTIC CAP. 2200UF/25V SL	1
C1018			CAP ELECTROLYTIC 2200UF/25V/M	1
C1018			ELECTROLYTIC CAP. 2200UF/25V M	1
C1019			ELECTRIC CAP. 4700UF/10V	1
C1019			CAP ELECTROLYTIC 4700UF/10V/M	1
C1019			ELECTROLYTIC CAP. 4700UF/10V M	1
C1020			ELECTROLYTIC CAP. 2200UF/6.3V M	1
C1020			CAP ELECTROLYTIC 2200UF/6.3V/M	1
C1021			ELECTROLYTIC CAP. 100UF/50V M	1
C1021			CAP ELECTROLYTIC 100UF/50V/M	1
C1022			CHIP CERAMIC CAP.(1608) F Z 0.1UF/50V	1
C1023			ELECTROLYTIC CAP. 220UF/25V M	1
C1023			CAP ELECTROLYTIC 220UF/25V/M	1
C1024			ELECTROLYTIC CAP. 2200UF/25V SL	1
C1024			CAP ELECTROLYTIC 2200UF/25V/M	1
C1024			ELECTROLYTIC CAP. 2200UF/25V M	1
C1025			ELECTRIC CAP. 4700UF/10V	1
C1025			CAP ELECTROLYTIC 4700UF/10V/M	1
C1025			ELECTROLYTIC CAP. 4700UF/10V M	1

ELECTRICAL PARTS LIST				BDP7200/12
Pos.No.	▲	12 NC	Description	
C1026			CHIP CERAMIC CAP.(1608) F Z 0.1UF/50V	1
C1040			SAFETY CAP. 2200PF/250V	1
C1040			SAFETY CAP. 2200PF/250V	1
C1041			ELECTROLYTIC CAP 10UF/400V M	1
C1041			CAP ELECTROLYTIC 10UF/400V/M	1
C1042			METALIZED FILM CAP. 0.0022UF/400V K	1
C1043			CHIP CERAMIC CAP. B K 2200PF/50V	1
C1044			ELECTROLYTIC CAP. 1UF/50V M	1
C1044			CAP ELECTROLYTIC 1UF/50V/M	1
C1045			CHIP CERAMIC CAP.(1608) F Z 0.1UF/50V	1
C1046			ELECTROLYTIC CAP. 470UF/10V M	1
C1046			CAP ELECTROLYTIC 470UF/10V/M	1
C1047			ELECTROLYTIC CAP. 220UF/16V M	1
C1047			CAP ELECTROLYTIC 220UF/16V/M	1
C1048			CHIP CERAMIC CAP.(1608) B K 0.1UF/50V	1
C1048			CHIP CERAMIC CAP.(1608) B K 0.1UF/25V	1
C1049			CHIP CERAMIC CAP. F Z 0.33UF/16V	1
C1051			ELECTROLYTIC CAP. 330UF/6.3V M	1
C1051			CAP ELECTROLYTIC 330UF/6.3V/M	1
C1052			ELECTROLYTIC CAP. 22UF/50V M	1
C1052			CAP ELECTROLYTIC 22UF/50V/M	1
CONNECTORS				
CN1001			TWG CONNECTOR 23P TWG-P23P-A1	1
CN1002			PH CONNECTOR TOP 11P B11B-PH-K-S(LF)(SN)	1
DIODES				
D1001			DIODE 1N5397-B	1
D1001			DIODE RECTIFIER 1N5397	1
D1001			DIODE 1N5397BD	1
D1002			DIODE 1N5397-B	1
D1002			DIODE RECTIFIER 1N5397	1
D1002			DIODE 1N5397BD	1
D1003			DIODE 1N5397-B	1
D1003			DIODE RECTIFIER 1N5397	1
D1003			DIODE 1N5397BD	1
D1004			DIODE 1N5397-B	1
D1004			DIODE RECTIFIER 1N5397	1
D1004			DIODE 1N5397BD	1
D1006			DIODE FR154	1
D1006			DIODE FR154BD	1
D1006			DIODE FAST RECOVERY FR154	1
D1007			RECTIFIER DIODE BA157	1
D1007			DIODE FAST BA157	1
D1007			RECTIFIER DIODE BA157	1
D1008			RECTIFIER DIODE BA157	1
D1008			DIODE FAST BA157	1
D1008			RECTIFIER DIODE BA157	1
D1009			IC SHUNT REGULATOR KIA431-AT/P	1
D1009			IC SHUNT REGULATOR SL431A-AT	1
D1009			IC SHUNT REGULATOR AS431BZTR-E1	1
D1010			RECTIFIER DIODE BA157	1
D1010			DIODE FAST BA157	1
D1010			RECTIFIER DIODE BA157	1
D1011			SCHOTTKY BARRIER DIODE SB3B0	1
D1011			SCHOTTKY BARRIER DIODE SB3B0	1
D1013			SCHOTTKY BARRIER DIODE SB390	1
D1013			DIODE SCHOTTKY SB390	1
D1013			SCHOTTKY BARRIER DIODE SB390	1
D1014			SCHOTTKY BARRIER DIODE SB390	1
D1014			DIODE SCHOTTKY SB390	1
D1014			SCHOTTKY BARRIER DIODE SB390	1
D1015			SCHOTTKY BARRIER DIODE SB390	1

ELECTRICAL PARTS LIST				BDP7200/12
Pos.No.	▲	12 NC	Description	
D1015			DIODE SCHOTTKY SB390	1
D1015			SCHOTTKY BARRIER DIODE SB390	1
D1016			SCHOTTKY BARRIER DIODE SB240-B/P	1
D1016			DIODE SCHOTTKY SB240	1
D1016			SCHOTTKY BARRIER DIODE SB240-B/P	1
D1017			DIODE ZENER 5V1BSB-T26	1
D1017			ZENER DIODE MTZJT-775.1B	1
D1018			RECTIFIER DIODE BA157	1
D1018			DIODE FAST BA157	1
D1018			RECTIFIER DIODE BA157	1
D1019			DIODE ZENER 18BSB-T26	1
D1019			ZENER DIODE MTZJT-7718B	1
D1020			DIODE ZENER 18BSB-T26	1
D1020			ZENER DIODE MTZJT-7718B	1
D1022			SCHOTTKY BARRIER DIODE SB140	1
D1022			DIODE SCHOTTKY SB140	1
D1022			SCHOTTKY BARRIER DIODE SB140	1
D1023			SCHOTTKY BARRIER DIODE SB3B0	1
D1023			SCHOTTKY BARRIER DIODE SB3B0	1
D1025			DIODE SWITCHING 1N4148-F0021	1
D1025			SWITCHING DIODE 1SS133(T-77)	1
D1025			DIODE SWITCHING HSS4148TE-E	1
D1026			DIODE SWITCHING 1N4148-F0021	1
D1026			SWITCHING DIODE 1SS133(T-77)	1
D1026			DIODE SWITCHING HSS4148TE-E	1
D1027			DIODE SWITCHING 1N4148-F0021	1
D1027			SWITCHING DIODE 1SS133(T-77)	1
D1027			DIODE SWITCHING HSS4148TE-E	1
D1028			RECTIFIER DIODE BA157	1
D1028			DIODE FAST BA157	1
D1028			RECTIFIER DIODE BA157	1
D1031			IC SHUNT REGULATOR KIA431-AT/P	1
D1031			IC SHUNT REGULATOR SL431A-AT	1
D1031			IC SHUNT REGULATOR AS431BZTR-E1	1
D1036			DIODE ZENER 27BSB-T26	1
D1036			ZENER DIODE MTZJT-7727B	1
D1040			DIODE SWITCHING 1N4148-F0021	1
D1040			SWITCHING DIODE 1SS133(T-77)	1
D1040			DIODE SWITCHING HSS4148TE-E	1
D1041			RECTIFIER DIODE 1N4005	1
D1041			DIODE RECTIFIER 1N4005	1
D1041			RECTIFIER DIODE 1N4005	1
D1042			RECTIFIER DIODE 1N4005	1
D1042			DIODE RECTIFIER 1N4005	1
D1042			RECTIFIER DIODE 1N4005	1
D1043			RECTIFIER DIODE 1N4005	1
D1043			DIODE RECTIFIER 1N4005	1
D1043			RECTIFIER DIODE 1N4005	1
D1044			RECTIFIER DIODE 1N4005	1
D1044			DIODE RECTIFIER 1N4005	1
D1044			RECTIFIER DIODE 1N4005	1
D1045			RECTIFIER DIODE BA159	1
D1045			DIODE FAST RECOVERY BA159	1
D1045			RECTIFIER DIODE BA159	1
D1046			DIODE FR154	1
D1046			DIODE FR154BD	1
D1046			DIODE FAST RECOVERY FR154	1
D1047			SCHOTTKY BARRIER DIODE SB190	1
D1047			DIODE SCHOTTKY SB190	1
D1047			SCHOTTKY BARRIER DIODE SB190	1
D1048			DIODE SWITCHING 1N4148-F0021	1
D1048			SWITCHING DIODE 1SS133(T-77)	1
D1048			DIODE SWITCHING HSS4148TE-E	1
D1049			DIODE SWITCHING 1N4148-F0021	1
D1049			SWITCHING DIODE 1SS133(T-77)	1
D1049			DIODE SWITCHING HSS4148TE-E	1

ELECTRICAL PARTS LIST				BDP7200/12
Pos.No.	▲	12 NC	Description	
D1050			DIODE ZENER 27BSB-T26	1
D1050			ZENER DIODE MTZJT-7727B	1
D1052			DIODE SWITCHING 1N4148-F0021	1
D1052			SWITCHING DIODE 1SS133(T-77)	1
D1052			DIODE SWITCHING HSS4148TE-E	1
D1053			DIODE ZENER 27BSB-T26	1
D1053			ZENER DIODE MTZJT-7727B	1
D1054			DIODE ZENER 27BSB-T26	1
D1054			ZENER DIODE MTZJT-7727B	1
D1056			DIODE SWITCHING 1N4148-F0021	1
D1056			SWITCHING DIODE 1SS133(T-77)	1
D1056			DIODE SWITCHING HSS4148TE-E	1
ICS				
IC1001	▲		IC SWITCHING FA5542N-A2-TE1 SOP8	1
IC1002	▲		PHOTOCOUPLER PS2561A-1(W)	1
IC1002	▲		PHOTOCOUPLER PS2561A-1(Q)	1
IC1002	▲		PHOTOCOUPLER EL817B	1
IC1002	▲		PHOTOCOUPLER LTV-817B-F	1
IC1003	▲		PHOTOCOUPLER PS2561A-1(W)	1
IC1003	▲		PHOTOCOUPLER PS2561A-1(Q)	1
IC1003	▲		PHOTOCOUPLER EL817B	1
IC1003	▲		PHOTOCOUPLER LTV-817B-F	1
IC1004			IC MIP2F10MS	1
IC1005			IC TB7102F	1
COILS				
L1003			POWER INDUCTORS CWKBNP-220K	1
L1003			POWER INDUCTORS TWKBNP-220K	1
L1003			CHOKE COIL(22UH) LHL10NB220K	1
L1004			CHOKE COIL 22UH-K	1
L1004			CHOKE COIL 22UH-K	1
L1005			POWER INDUCTORS CWKBNP-220K	1
L1005			POWER INDUCTORS TWKBNP-220K	1
L1005			CHOKE COIL(22UH) LHL10NB220K	1
L1006			COIL LINE FILTER ST0707ET24-010	1
L1006			LINE FILTER HF2430-273YOR7-T01	1
L1007			RADIAL TYPE CHOKE COIL A70830035	1
TRANSISTORS				
Q1003	▲		MOS FET 2SK3798(Q)	1
Q1004			TRANSISTOR KTC3199-GR-AT/P	1
Q1004			TRANSISTOR 2SC1815-GR(TE2 F T)	1
Q1004			NPN TRANSISTOR 2SC5343MG-AT	1
Q1004			TRANSISTOR KTC3199-Y-AT/P	1
Q1004			TRANSISTOR 2SC1815-Y(TE2 F T)	1
Q1004			NPN TRANSISTOR 2SC5343M Y	1
Q1012			TRANSISTOR KTC3199-GR-AT/P	1
Q1012			TRANSISTOR 2SC1815-GR(TE2 F T)	1
Q1012			NPN TRANSISTOR 2SC5343MG-AT	1
Q1012			TRANSISTOR KTC3199-Y-AT/P	1
Q1012			TRANSISTOR 2SC1815-Y(TE2 F T)	1
Q1012			NPN TRANSISTOR 2SC5343M Y	1
RESISTORS				
R1002			CHIP RES. 1/10W J 47K OHM	1
R1002			RES CHIP 1608 1/10W J 47K OHM	1
R1003			CARBON RES. 1/4W J 68K OHM	1
R1004			CHIP RES. 1/10W J 47K OHM	1
R1004			RES CHIP 1608 1/10W J 47K OHM	1
R1005			CARBON RES. 1/4W J 100 OHM	1
R1006			CARBON RES. 1/4W J 100K OHM	1
R1008			CARBON RES. 1/4W J 56 OHM	1
R1009			CARBON RES. 1/4W J 100 OHM	1
R1011			CARBON RES. 1/4W J 10 OHM	1
R1012			CARBON RES. 1/4W J 4.7K OHM	1

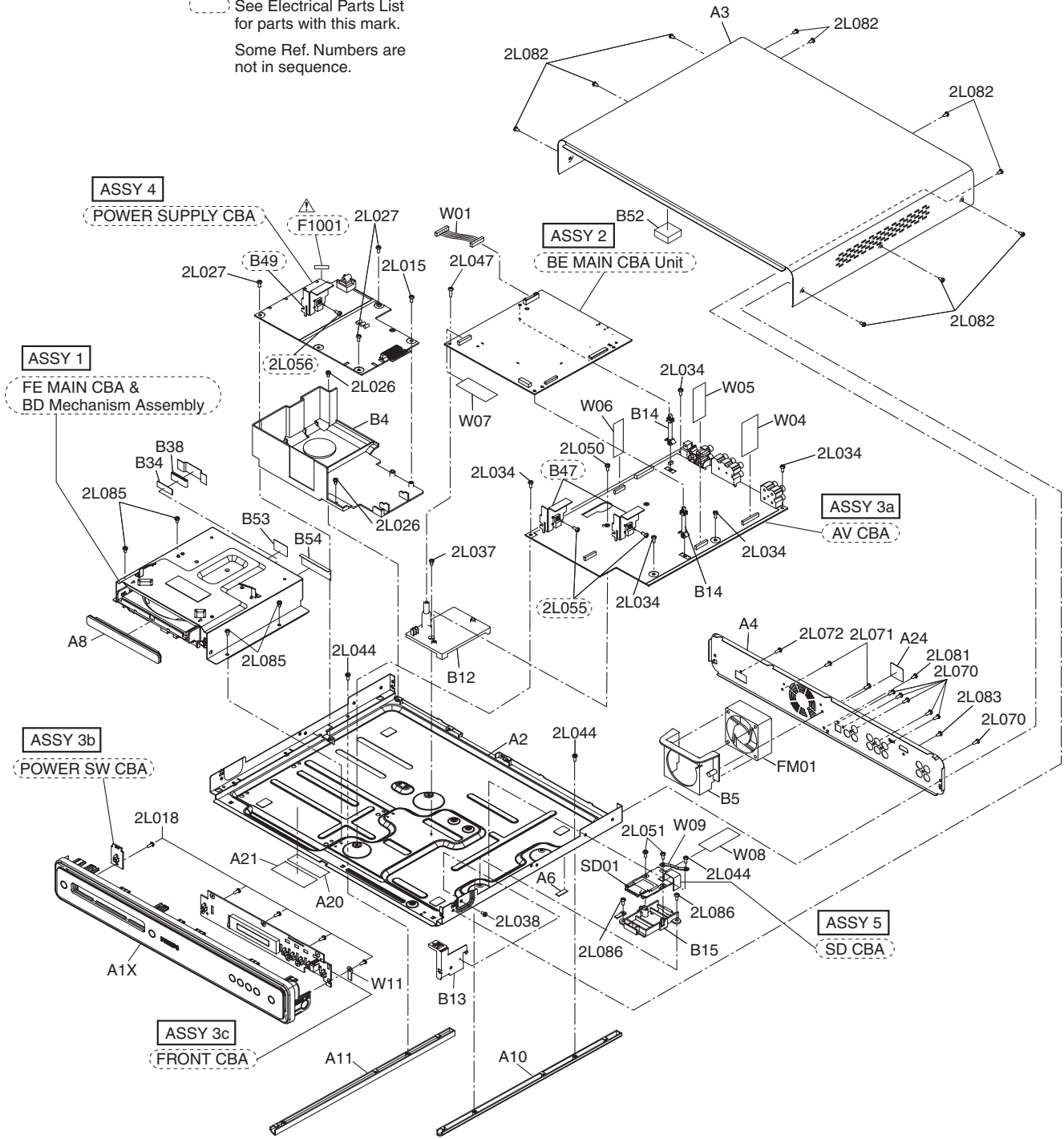
ELECTRICAL PARTS LIST				BDP7200/12
Pos.No.	▲	12 NC	Description	
R1013			METAL OXIDE FILM RES. 2W J 47K OHM	1
R1013			METAL OXIDE FILM RES. 2W J 47K OHM	1
R1013			METAL OXIDE FILM RES. RSI-2S473JHB55	1
R1014			METAL OXIDE FILM RES. 2W J 0.68 OHM	1
R1014			METAL OXIDE FILM RES. 2W J 0.68 OHM	1
R1014			METAL OXIDE FILM RES. 2W J 0.68 OHM	1
R1016			CHIP RES. 1/10W J 470 OHM	1
R1016			RES CHIP 1608 1/10W J 470 OHM	1
R1017			CHIP RES. 1/10W J 22K OHM	1
R1017			RES CHIP 1608 1/10W J 22K OHM	1
R1018			CHIP RES. 1/10W J 1 OHM	1
R1018			RES CHIP 1608 1/10W J 1 OHM	1
R1019			CHIP RES. 1/10W J 680 OHM	1
R1019			RES CHIP 1608 1/10W J 680 OHM	1
R1020			CHIP RES. 1/10W F 2K OHM	1
R1020			CHIP RES. 1/10W F 2K OHM	1
R1020			RES CHIP 1608 1/10W F 2.00K OHM	1
R1021			CARBON RES. 1/4W J 6.8K OHM	1
R1022			CARBON RES. 1/4W J 6.8K OHM	1
R1024			CHIP RES. 1/10W F 100 OHM	1
R1024			CHIP RES. 1/10W F 100 OHM	1
R1024			RES CHIP 1608 1/10W F 100 OHM	1
R1025			CHIP RES. 1/10W F 1.0K OHM	1
R1025			CHIP RES. 1/10W F 1K OHM	1
R1025			RES CHIP 1608 1/10W F 1.00K OHM	1
R1026			CHIP RES. 1/10W F 1.0K OHM	1
R1026			CHIP RES. 1/10W F 1K OHM	1
R1026			RES CHIP 1608 1/10W F 1.00K OHM	1
R1030			CHIP RES.(1608) 1/10W 0 OHM	1
R1030			RES CHIP 1608 1/10W J 0 OHM	1
R1032			CHIP RES.(1608) 1/10W 0 OHM	1
R1032			RES CHIP 1608 1/10W J 0 OHM	1
R1034			CHIP RES.(1608) 1/10W 0 OHM	1
R1034			RES CHIP 1608 1/10W J 0 OHM	1
R1040			PCB JUMPER D0.6-P5.0	1
R1041			CARBON RES. 1/4W J 100 OHM	1
R1046			CHIP RES.(1608) 1/10W 0 OHM	1
R1046			RES CHIP 1608 1/10W J 0 OHM	1
R1047			CHIP RES. 1/10W F 82.0 K OHM	1
R1047			CHIP RES. 1/10W F 82K OHM	1
R1047			RES CHIP 1608 1/10W F 82.0K OHM	1
R1048			CHIP RES. 1/10W F 100K OHM	1
R1048			CHIP RES. 1/10W F 100K OHM	1
R1048			RES CHIP 1608 1/10W F 100K OHM	1
R1050			METAL RESISTER. 2W J 2.7 OHM	1
R1050			METAL OXIDE FILM RES. 2W J 2.7 OHM	1
R1050			METAL OXIDE FILM RES. 2W J 2.7 OHM	1
R1051			CARBON RES. 1/4W J 470K OHM	1
R1052			CARBON RES. 1/4W J 470K OHM	1
R1053			CHIP RES.(1608) 1/10W 0 OHM	1
R1053			RES CHIP 1608 1/10W J 0 OHM	1
R1054			CHIP RES. 1/10W J 470K OHM	1
R1054			RES CHIP 1608 1/10W J 470K OHM	1
R1055			CHIP RES. 1/10W J 33K OHM	1
R1055			RES CHIP 1608 1/10W J 33K OHM	1
R1056			CHIP RES. 1/10W J 470 OHM	1
R1056			RES CHIP 1608 1/10W J 470 OHM	1
R1057			CHIP RES. 1/10W J 3.3K OHM	1
R1057			RES CHIP 1608 1/10W J 3.3K OHM	1
R1058			CHIP RES. 1/10W J 4.7K OHM	1
R1058			RES CHIP 1608 1/10W J 4.7K OHM	1
R1060			CHIP RES.(1608) 1/10W 0 OHM	1

ELECTRICAL PARTS LIST				BDP7200/12
Pos.No.	▲	12 NC	Description	
R1060			RES CHIP 1608 1/10W J 0 OHM	1
R1061			CHIP RES. 1/10W F 7.50 K OHM	1
R1061			CHIP RES. 1/10W F 7.5K OHM	1
R1061			RES CHIP 1608 1/10W F 7.50K OHM	1
R1062			CHIP RES. 1/10W F 2.4K OHM	1
R1062			CHIP RES.(1608) 1/10W F 2.4K OHM	1
R1062			RES CHIP 1608 1/10W F 2.40K OHM	1
R1063			CHIP RES. 1/10W J 10K OHM	1
R1063			RES CHIP 1608 1/10W J 10K OHM	1
R1064			CHIP RES. 1/10W J 1.8K OHM	1
R1064			RES CHIP 1608 1/10W J 1.8K OHM	1
R1065			CHIP RES. 1/10W J 15K OHM	1
R1065			RES CHIP 1608 1/10W J 15K OHM	1
R1066			CHIP RES. 1/10W J 10K OHM	1
R1066			RES CHIP 1608 1/10W J 10K OHM	1
R1067			CARBON RES. 1/4W J 10K OHM	1
R1068			CARBON RES. 1/4W J 10K OHM	1
R1069			CARBON RES. 1/4W J 10K OHM	1
R1070			CARBON RES. 1/4W J 10K OHM	1
R1072			CHIP RES. 1/10W J 1 OHM	1
R1072			RES CHIP 1608 1/10W J 1 OHM	1
ASSY5		996510010188	SD CBA	1
Consists of the following:				
CAPACITORS				
C4001			CHIP ELECTROLYTIC CAP. 33UF/6.3V M(WR)	1
C4001			CHIP ELECTROLYTIC CAP. 33UF/6.3V M(MS)	1
C4002			CHIP CERAMIC CAP.(1608) B K 0.1UF/25V	1
CONNECTORS				
CN4001			CONNECTOR IC CARD MES 9PIN 1939115-1	1
CN4002			FFC/FPC CONNECTOR 16P+ 04 6232 116 102 800+	1
COILS				
L4001			CHIP BEAD GZ1608D121T(F)	1
L4001			CHIP INDUCTOR BK1608HM121-T	1
RESISTORS				
R4008			CHIP RES. 1/10W J 47 OHM	1
R4008			RES CHIP 1608 1/10W J 47 OHM	1
R4009			CHIP RES. 1/10W J 47 OHM	1
R4009			RES CHIP 1608 1/10W J 47 OHM	1
R4010			CHIP RES. 1/10W J 47 OHM	1
R4010			RES CHIP 1608 1/10W J 47 OHM	1
R4012			CHIP RES. 1/10W J 47 OHM	1
R4012			RES CHIP 1608 1/10W J 47 OHM	1
R4013			CHIP RES. 1/10W J 47 OHM	1
R4013			RES CHIP 1608 1/10W J 47 OHM	1
R4015			CHIP RES. 1/10W J 47 OHM	1
R4015			RES CHIP 1608 1/10W J 47 OHM	1

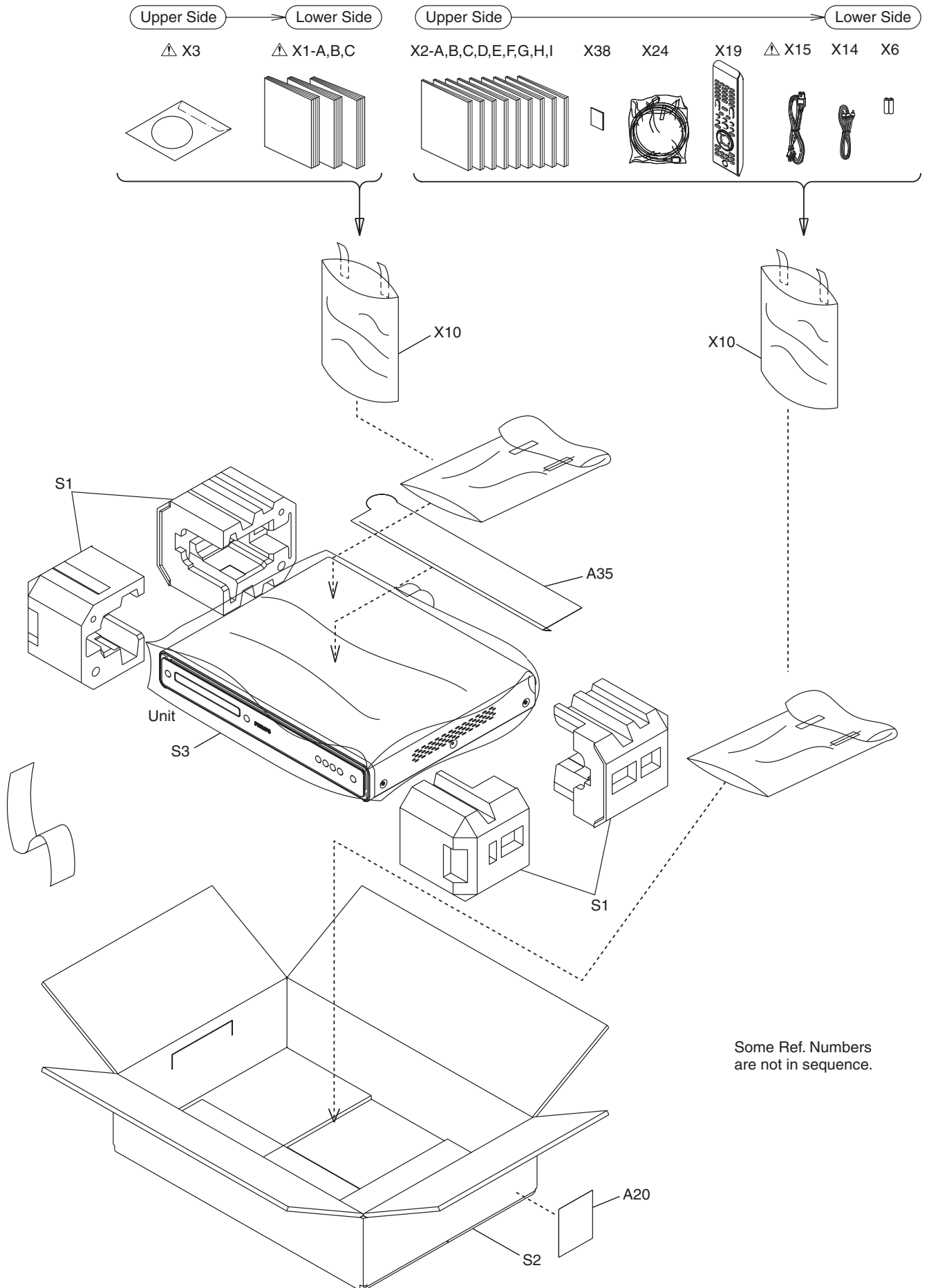
EXPLODED VIEWS

Cabinet

See Electrical Parts List for parts with this mark. Some Ref. Numbers are not in sequence.



Packing



MECHANICAL PARTS LIST

PRODUCT SAFETY NOTE: Products marked with a ▲ have special characteristics important to safety. Before replacing any of these components, read carefully the product safety notice in this service manual. Don't degrade the safety of the product through improper servicing.

MECHANICAL PARTS LIST				BDP7200/12
Pos.No.	▲	12 NC	Description	
A1X		996510018692	FRONT ASSEMBLY(PAL) E5J10ED	1
A2			CHASSIS E5E10UD	1
A2			CHASSIS E5E10UD	1
A3			TOP COVER(PAL) E5J10ED	1
A4			REAR PANEL(PAL) E5J10ED	1
A6		996510018693	FOOT E5H40UD	1
A8		996510018694	TRAY PANEL ASSEMBLY(PAL) E5J10ED	1
A10			BOTTOM GUIDE R E5E10UD	1
A11			BOTTOM GUIDE L E5E10UD	1
A20			BAR CODE LABEL E5J10ED	1
A21			MODEL NO LABEL E5J10ED	1
A24			VOID LABEL E5E10UD	1
A35			TOPPER POP E5J10ED	1
2L015			SCREW P-TIGHT M3X8 BIND HEAD+	1
2L018			SCREW P-TIGHT M3X8 BIND HEAD+	1
2L026			SCREW C-TIGHT M3X6 E5610UD	1
2L027			SCREW C-TIGHT M3X6 E5610UD	1
2L034			SCREW S-TIGHT M3X6 WASHER HEAD+	1
2L037			SCREW C-TIGHT M3X6 E5610UD	1
2L038			SCREW C-TIGHT M3X6 E5610UD	1
2L044			SCREW P-TIGHT M3X6 BIND HEAD+	1
2L047			SCREW P-TIGHT M3X10 BIND HEAD+	1
2L050			SCREW P-TIGHT M3X8 BIND HEAD+	1
2L051			SCREW P-TIGHT M3X8 BIND HEAD+	1
2L070			SCREW B-TIGHT M3X8 BIND HEAD+	1
2L071			SCREW B-TIGHT M3X8 BIND HEAD+	1
2L072			SCREW TAP TIGHT M3X8 BIND PAN HEAD+BLK NI	1
2L081			SCREW TAP TIGHT M3X5 BIND HEAD+BLK NI	1
2L082			SCREW C-TIGHT M3X5 E5E10UD	1
2L083			SCREW TAP TIGHT M3X5 BIND HEAD+BLK NI	1
2L085			SCREW C-TIGHT M3X6 E5610UD	1
2L086			SCREW C-TIGHT M3X6 E5610UD	1
B4			POWER PCB HOLDER E5E10UD	1
B5			FAN HOLDER E5E10UD	1
B12			BE PCB HOLDER ASSEMBLY E5H40UD	1
B13			FRONT BRACKET R E5E10UD	1
B14		996510010148	LOCKING CARD SPACER KGLS-22S	1
B15			SD CARD HOLDER E5E10UD	1
B34			DOUBLE SIDE TAPE E5E10UD	1

MECHANICAL PARTS LIST				BDP7200/12
Pos.No.	▲	12 NC	Description	
B38		996510012103	CORE FERRITE HF70SH25*0.7*10	1
B52		996510012104	CUSHION E5E10UD	1
B53		996510012105	CONDUCTIVE TAPE CSTK-026065	1
B54		996510012106	CONDUCTIVE TAPE CSTK-040055	1
FM01		996510018695	MOTOR DC FAN 2D65BL100120	1
SD01		996510012107	SD MEMORY CARD RP-SD256BFN0	1
SD01			SD CARD TS256MSDC6450SS	1
W01		996510012108	WX1E5E10-001 11/110/AWG24	1
W04		996510012109	WX1E5E10-004 28/75/1.0	1
W05		996510012110	WX1E5E10-005 14/80/1.0	1
W06		996510018696	WIRE ASSEMBLY FFC 15/218/1.0	1
W07		996510012112	WX1E5E10-007 40/240/0.5	1
W08		996510012113	WX1E5E10-008 16/115/1.0	1
W09		996510012114	WIRE ASSEMBLY 15/BLACK	1
W11		996510018697	WIRE ASSEMBLY RING TERMINAL 48/BLACK	1
S1			SIDE PAD E5E10UD	1
S2			GIFT BOX CARTON E5J10ED	1
S3			UNIT BAG E5500UD	1
X1-A	▲		OWNERS MANUAL(EN) E5J10ED	1
X1-B	▲		OWNERS MANUAL(FR/DE/ES) E5J10ED	1
X1-C	▲		OWNERS MANUAL(NL/IT) E5J10ED	1
X2-A			QUICK GUIDE(EN) E5J10ED	1
X2-B			QUICK GUIDE(ES) E5J10ED	1
X2-C			QUICK GUIDE(FR) E5J10ED	1
X2-D			QUICK GUIDE(DE) E5J10ED	1
X2-E			QUICK GUIDE(IT) E5J10ED	1
X2-F			QUICK GUIDE(NL) E5J10ED	1
X2-G			QUICK GUIDE(SV) E5J10ED	1
X2-H			QUICK GUIDE(FI) E5J10ED	1
X2-I			QUICK GUIDE(NO/DA) E5J10ED	1
X3	▲		OWNERS MANUAL CD-ROM E5J10ED	1
X6			DRY BATTERY 2PACK R6-B500/01S	1
X10			ACCESSORY BAG E5795ED	1
X10			ACCESSORY BAG E5795ED	1
X14		996510010150	AV CORD 1500/BLACK	1
X15	▲	996510018698	AC CORD WITH A GND WIRE CB/162/NO/BLACK	1
X15	▲		AC CORD W/O A GND WIRE CEE/162/NO/BLACK	1
X19		996510010151	REMOTE CONTROL UNIT YKF202-004	1
X24		996510010152	HDMI CABLE HIGH SPEED 2000/BLACK	1
X38			WARRANTY CARD H9821MD	1